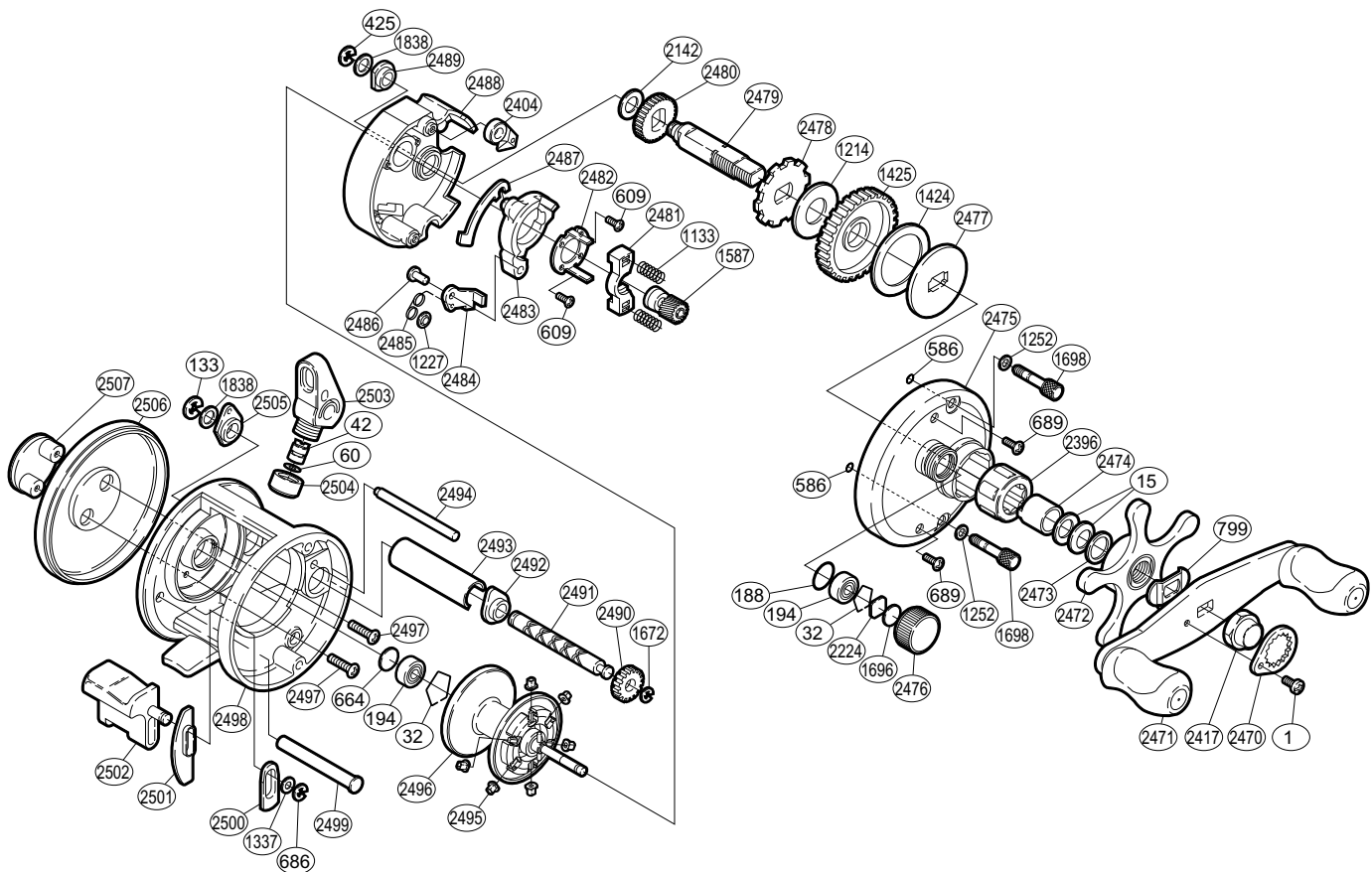


SHIMANO®

CARDIFF®

CDF-100



Part No.	Description	Part No.	Description	Part No.	Description
BNT0001	Handle Nut Plate Screw	BNT1696	Cast Control Spacer (B)	BNT2486	Clutch Pawl Pin
BNT0015	Drag Spring Washer	BNT1698	Right Side Plate Bolt	BNT2487	Clutch Plate
BNT0032	Bearing Retainer	BNT1838	Worm Shaft Spacer	BNT2488	Set Plate
BNT0042	Line Guide Pawl	BNT2142	Idle Gear (A) Spacer	BNT2489	Drive Shaft Bushing
BNT0060	Spacer (optional)	BNT2224	Spool Tension Spacer (A)	BNT2490	Idle Gear (C)
BNT0133	Worm Shaft Retainer	BNT2396	Roller Clutch Bearing	BNT2491	Worm Shaft
BNT0188	"O" Ring	BNT2404	Anti-Reverse Pawl	BNT2492	Worm Bushing (A)
BNT0194	Ball Bearing	BNT2417	Handle Nut	BNT2493	Level Wind Guard
BNT0425	"E" Lock	BNT2470	Handle Nut Plate	BNT2494	Level Wind Guide
BNT0586	Bolt Retainer	BNT2471	Handle Assembly	BNT2495	Brake Collar
BNT0609	Clutch Cam Screw	BNT2472	Star Drag	BNT2496	Spool Assembly
BNT0664	Spacer (B)	BNT2473	Star Drag Spacer	BNT2497	ID Plate Screw
BNT0686	"E" Lock	BNT2474	Roller Clutch Inner Tube	BNT2498	One-Piece Frame
BNT0689	Set Plate Screw	BNT2475	Right Side Plate	BNT2499	Clutch Bar Support
BNT0799	Friction Washer	BNT2476	Cast Control Cap	BNT2500	Clutch Bar Guide (A)
BNT1133	Yoke Spring	BNT2477	Key Washer	BNT2501	Clutch Bar Guide (B)
BNT1214	Drag Washer (A)	BNT2478	Anti-Reverse Ratchet	BNT2502	Quick-Fire II Clutch Bar
BNT1227	Clutch Pawl Spring Retainer	BNT2479	Drive Shaft	BNT2503	Line Guide
BNT1252	Right Side Plate Bolt Washer	BNT2480	Idle Gear (A)	BNT2504	Pawl Cap
BNT1337	Clutch Bar Support Spacer	BNT2481	Yoke	BNT2505	Worm Bushing (B)
BNT1424	Drag Washer (C)	BNT2482	Clutch Cam Retainer	BNT2506	Left Side Plate
BNT1425	Drive Gear	BNT2483	Clutch Cam	BNT2507	Left Side ID Plate
BNT1587	Pinion Gear	BNT2484	Clutch Pawl		
BNT1672	"E" Lock	BNT2485	Clutch Pawl Spring		