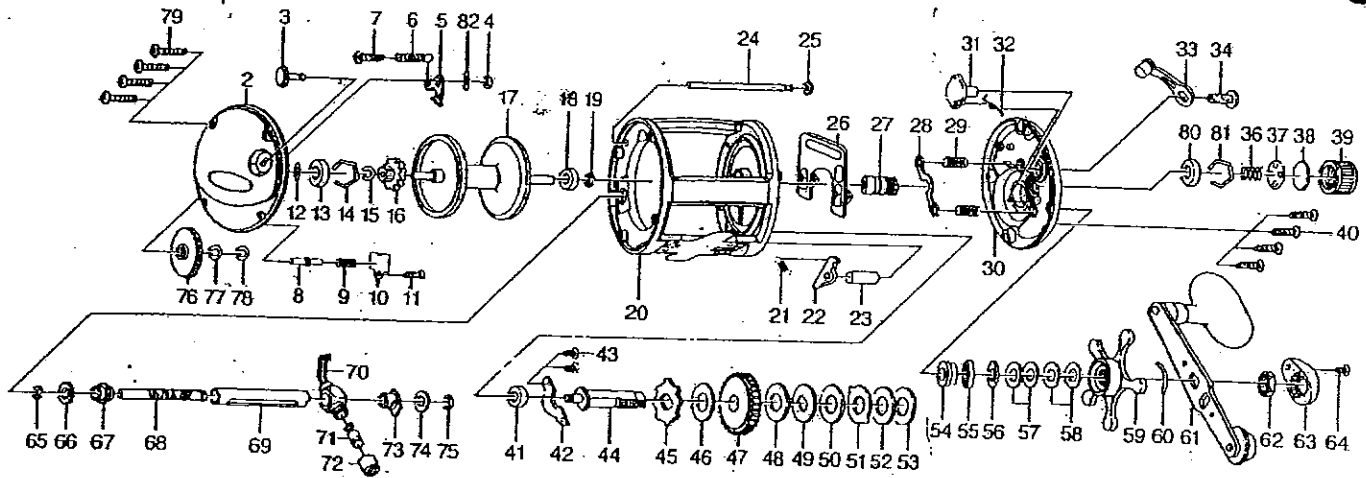


Shakespeare®

U BOAT 20

30



Part # Part Name

- 2 Left cover assembly
- 3 Click lever
- 4 Retainer—1145278
- 5 Click claw—1145931
- 6 Spring—1146773
- 7 Tap screw—1146253
- 8 Click metal
- 9 Coil spring
- 10 Plate
- 11 Tap screw
- 12 Washer
- 13 Bearing
- 14 Retainer
- 15 C-ring
- 16 Pinion
- 17 Spool assembly
- 18 Bearing—1145105
- 19 Retainer
- 20 Frame assembly
- 21 Spring—1146748
- 22 Stopper—1145932
- 23 Metal
- 24 Pillar
- 25 Retainer
- 26 Slide plate
- 27 Pinion assembly—1145988
- 28 Clutch
- 29 Coil spring—1146747
- 30 Right cover assembly
- 31 Clutch cam
- 32 Spring—1146746
- 33 Clutch lever assembly—1145776
- 34 Screw—1146252
- 36 Spring—1146745
- 37 Washer—1146861
- 38 Washer—1146862
- 39 Tension knob—1145232
- 40 Tap screw—1146241
- 41 Bearing
- 42 Plate

Part # Part Name

- 43 Tap screw
- 44 Gear metal
- 45 Ratchet
- 46 Washer - L1—1146866
- 47 Drive gear
- 48 Washer - L2—1146865
- 49 Washer - D2
- 50 Washer - L3—1146864
- 51 Washer - A
- 52 Washer - L4—1146863
- 53 Washer - D2
- 54 Bush
- 55 Ball bearing—1145083
- 56 Washer
- 57 Spring washer—1146768
- 58 Spring washer—1146769
- 59 Star drag assembly
- 60 Leaf spring—1146744
- 61 Handle assembly—1145434
- 62 Nut—1145874
- 63 Handle nut cap—1145241
- 64 Screw—1146157
- 65 Retainer—1145278
- 66 Gear—1145637
- 67 Bush
- 68 Worm shaft—1146302
- 69 Pipe—1145725
- 70 Level wind assembly—1145145
- 71 Level wind pin—1145923
- 72 Nut—1145873
- 73 Bush
- 74 Washer
- 75 Retainer—1145278
- 76 Idle gear—1145633
- 77 Washer
- 78 Retainer
- 79 Tap screw—1146242
- 80 Bearing
- 81 Retainer

Tension Knob Assy—1146934

(21)