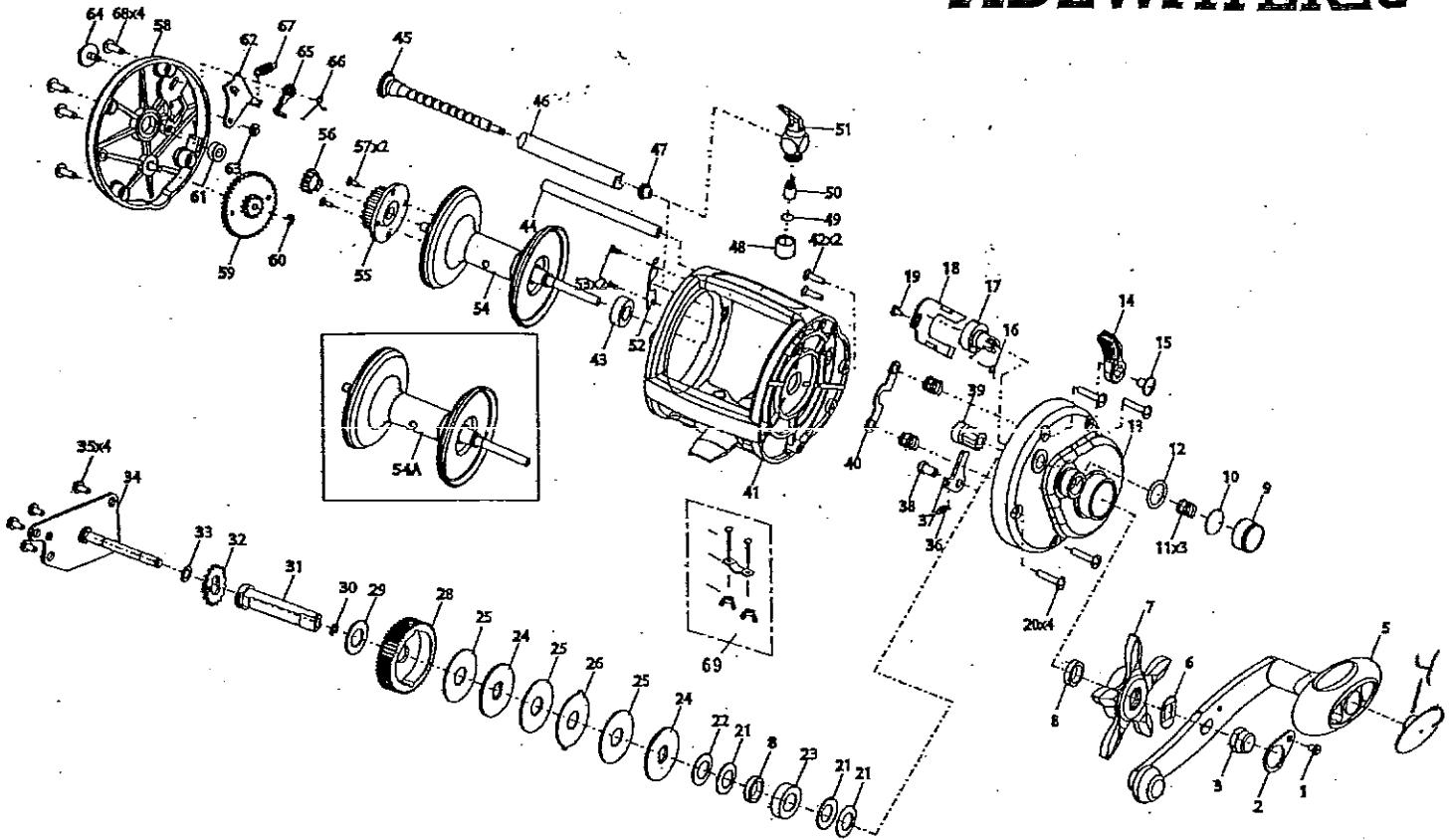


Tidewater T30L

TIDEWATER



Part #	Part Name
1	Handle Nut Retainer Screw - 1146243
2	Handle Nut Retainer - 1146067
3	Handle Nut - 1145871
4	Handle Knob Cap
5	Handle Assembly - 1145451
6	Leaf Spring - 1146765
7	Star Drag
8	Bushing (x2) - 1145176
9	Cast Control Cap - 1145240
10	Spacer - 1146343
11	Yoke Spring (x3) - 1146766
12	O-Ring - 1146074
13	Right Side Plate
14	Clutch Lever - 1145775
15	Clutch Lever Screw - 1146244
16	Clutch Spring - 1146767
17	Clutch Cam
18	Clutch Plate
19	Clutch Plate Screw - 1146247
20	Right Side Plate Screw (x4) (T15L/A • T20L/A) Right Side Plate Screw (x5) (T30L/A)
21	Spring Washer A (x3) - 1146768
22	Spring Washer B (x1) - 1146769
23	Ball Bearing - 1145079 (T20L FEATURES A BRASS BUSHING)
24	Key Washer (x2) - 1146879
25	Drag Washer (x3) - 1146877
26	Eared Washer - 1146880
27	Idler Gear Washer
28	Drive Gear
29	Drive Shaft Washer
30	E. Clip A - 1145286
31	Drive Shaft - 1146313
32	AR Ratchet - 1146048
33	Washer
34	Set Plate
35	Set Plate Screw (x4) - 1146246
36	Anti-Reverse Spring - 1146770
37	Anti-Reverse Pawl - 1145935
38	Anti-Reverse Pawl Post
39	Pinion Gear - 1145996
40	Yoke
41	Frame
42	Screw (x2) - 1146245
43	Bushing B
44	Level Wind Support Shaft
45	Worm Shaft - 1146309
46	Worm Shaft Guard - 1145723
47	Level Wind Bushing
48	Level Wind Nut - 1145221
49	Level Wind Washer - 1146875
50	Level Wind Pawl - 1145929
51	Level Wind Assembly - 1145143
52	Level Wind Lock Plate - 1146020
53	Rivet - 1145952
54	Spool Assembly (T15L • T20L • T30L)
54A	Spool Assembly (T15LA • T20LA • T30LA)
55	Spool Gear
56	Level Wind Drive Gear - 1145663
57	Spool Screw (x2)
58	Left Side Plate
59	Idler Gear - 1145661
60	E. Clip B - 1145278
61	Bushing D
62	Click Retainer
63	E. Clip C - 1145278
64	Click Switch - 1145183
65	Click Pawl - 1145930
66	Click Pawl Spring - 1146771
67	Click Spring - 1146772
68	Left Side Plate Screw (x4) (T15L/A • T20L/A) Left Side Plate Screw (x5) (T30L/A)
69	Rod Clamp Assembly (T30L/A)

9 Thru 12 - Cast Control Cap Assy
 1146946