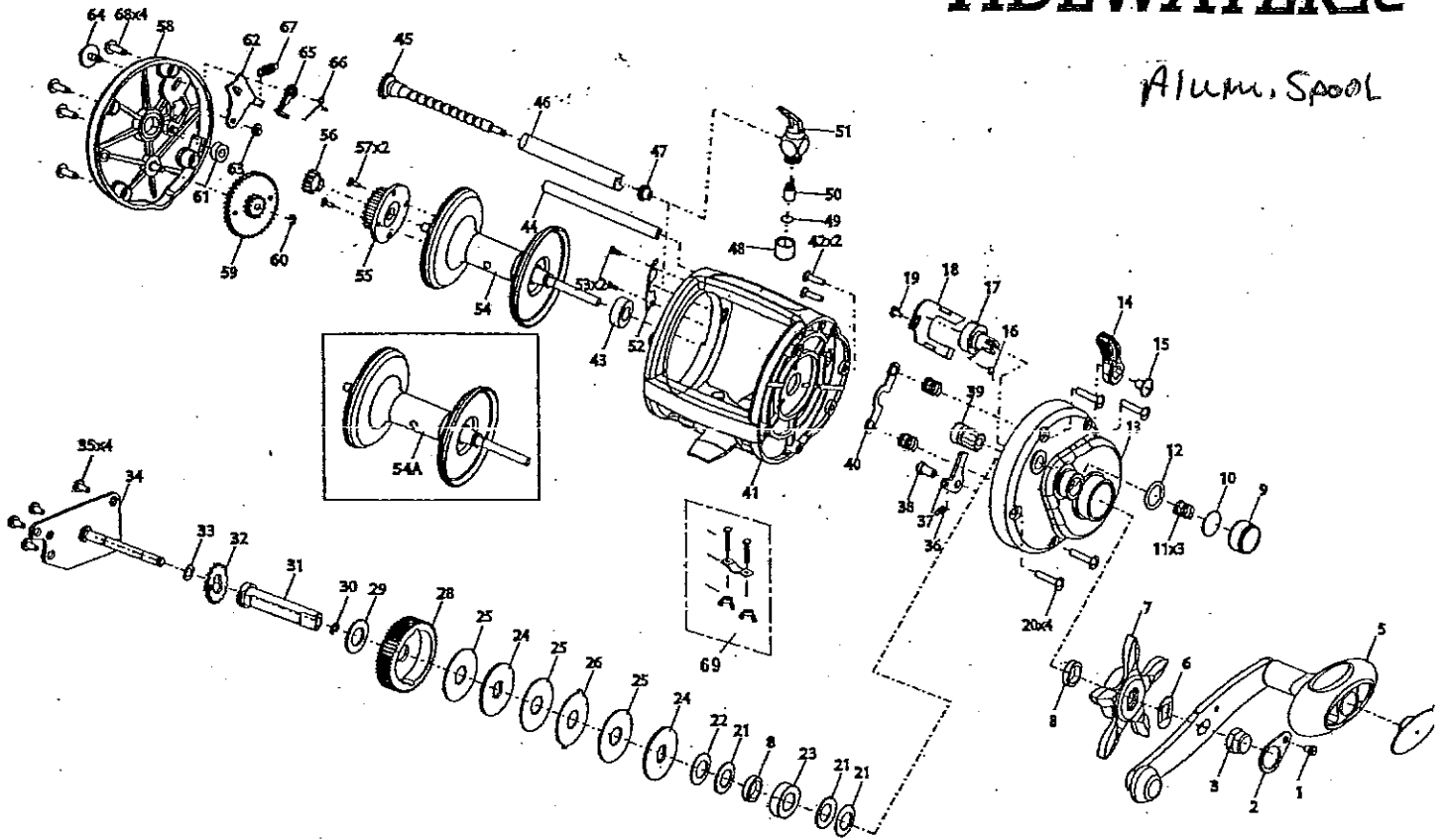


Tidewater T20LA  
**TIDEWATER**

Alum. Spool



Part # Part Name

- |    |   |     |  |    |  |
|----|---|-----|--|----|--|
| 1  | Handle Nut Retainer Screw—1146243             | 28  | Drive Gear                             | 57 | Spool Screw (x2)                             |
| 2  | Handle Nut Retainer—1146067                   | 29  | Drive Shaft Washer                     | 58 | Left Side Plate                              |
| 3  | Handle Nut—1145871                            | 30  | E. Clip A—1145286                      | 59 | Idler Gear—1145582                           |
| 4  | Handle Knob Cap                               | 31  | Drive Shaft—1146313                    | 60 | E. Clip B—1145278                            |
| 5  | Handle Assembly—1145450                       | 32  | AR Ratchet—1146047                     | 61 | Bushing D                                    |
| 6  | Leaf Spring—1146765                           | 33  | Washer                                 | 62 | Click Retainer                               |
| 7  | Star Drag                                     | 34  | Set Plate                              | 63 | E. Clip C—1145278                            |
| 8  | Bushing (x2)—1145176                          | 35  | Set Plate Screw (x4)—1146246           | 64 | Click Switch—1145183                         |
| 9  | Cast Control Cap—1145240                      | 36  | Anti-Reverse Spring—1146770            | 65 | Click Pawl—1145930                           |
| 10 | Spacer—1146343                                | 37  | Anti-Reverse Pawl—1145934              | 66 | Click Pawl Spring—1146771                    |
| 11 | Yoke Spring (x3)—1146766                      | 38  | Anti-Reverse Pawl Post                 | 67 | Click Spring—1146772                         |
| 12 | O-Ring—1146074                                | 39  | Pinion Gear—1145995                    | 68 | Left Side Plate Screw (x4) (T15LAA • T20LLA) |
| 13 | Right Side Plate                              | 40  | Yoke                                   | 68 | Left Side Plate Screw (x5) (T30LLA)—1146248  |
| 14 | Clutch Lever—1145774                          | 41  | Frame                                  | 69 | Rod Clamp Assembly (T30LLA)                  |
| 15 | Clutch Lever Screw—1146244                    | 42  | Screw (x2)—1146245                     |    |  |
| 16 | Clutch Spring—1146767                         | 43  | Bushing B                              |    |  |
| 17 | Clutch Cam                                    | 44  | Level Wind Support Shaft               |    |  |
| 18 | Clutch Plate                                  | 45  | Worm Shaft—1146308                     |    |  |
| 19 | Clutch Plate Screw—1146247                    | 46  | Worm Shaft Guard—1145722               |    |  |
| 20 | Right Side Plate Screw (x4) (T15LAA • T20LLA) | 47  | Level Wind Bushing                     |    |  |
|    | Right Side Plate Screw (x5) (T30LLA)—1146250  | 48  | Level Wind Nut—1145221                 |    |  |
| 21 | Spring Washer A (x3)—1146768                  | 49  | Level Wind Washer—1146875              |    |  |
| 22 | Spring Washer B (x1)—1146769                  | 50  | Level Wind Pawl—1145929                |    |  |
| 23 | Ball Bearing—1145079                          | 51  | Level Wind Assembly—1145142            |    |  |
|    | (T20LO FEATURES A BRASS BUSHING)              | 52  | Level Wind Lock Plate—1146020          |    |  |
| 24 | Key Washer (x2)—1146881                       | 53  | Rivet—1145952                          |    |  |
| 25 | Drag Washer (x3)—1146876                      | 54  | Spool Assembly (T15L • T20L • T30L)    |    |  |
| 26 | Eared Washer—1146882                          | 54A | Spool Assembly (T15LA • T20LA • T30LA) |    |  |
| 27 | Idler Gear Washer                             | 55  | Spool Gear                             |    |  |
|    |   | 56  | Level Wind Drive Gear—1145583          |    |  |

9 Thru 12 Cast Control Cap Assy  
 1146946