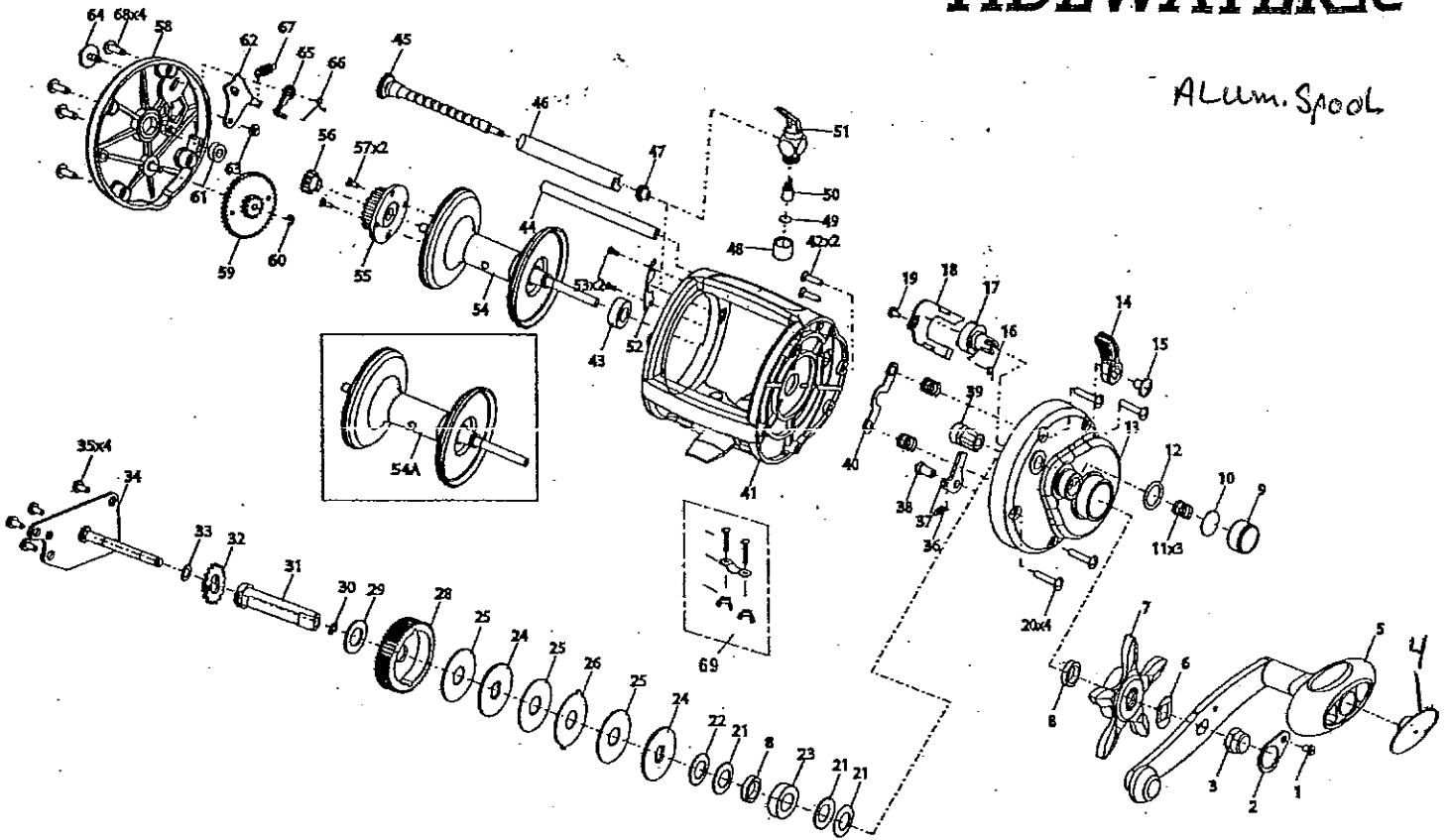


Tidewater T15LA

TIDEWATER[®]

ALUM. SPOOL



Part # Part Name

- | | | | | | |
|----|--|-----|--|----|---|
| 1 | Handle Nut Retainer Screw - 1146243 | 28 | Drive Gear | 57 | Spool Screw (x2) |
| 2 | Handle Nut Retainer - 1146067 | 29 | Drive Shaft Washer | 58 | Left Side Plate |
| 3 | Handle Nut - 1145871 | 30 | E. Clip A - 1145286 | 59 | Idler Gear - 1145662 |
| 4 | Handle Knob Cap | 31 | Drive Shaft - 1146313 | 60 | E. Clip B - 1145278 |
| 5 | Handle Assembly - 1145451 | 32 | AR Ratchet - 1146047 | 61 | Bushing D |
| 6 | Leaf Spring - 1146765 | 33 | Washer | 62 | Click Retainer |
| 7 | Star Drag | 34 | Set Plate | 63 | E. Clip C - 1145278 |
| 8 | Bushing (x2) - 1145176 | 35 | Set Plate Screw (x4) - 1146246 | 64 | Click Switch - 1145183 |
| 9 | Cast Control Cap - 1145240 | 36 | Anti-Reverse Spring - 1146770 | 65 | Click Pawl - 1145930 |
| 10 | Spacer - 1146343 | 37 | Anti-Reverse Pawl - 1145933 | 66 | Click Pawl Spring - 1146771 |
| 11 | Yoke Spring (x3) - 1146766 | 38 | Anti-Reverse Pawl Post | 67 | Click Spring - 1146772 |
| 12 | O-Ring - 1146074 | 39 | Pinion Gear - 1145995 | 68 | Left Side Plate Screw (x4) (T15LLA • T20LLA) |
| 13 | Right Side Plate | 40 | Yoke | 68 | Left Side Plate Screw (x5) (T30LLA) - 1146248 |
| 14 | Clutch Lever - 1145774 | 41 | Frame | 69 | Rod Clamp Assembly (T30LLA) |
| 15 | Clutch Lever Screw - 1146244 | 42 | Screw (x2) - 1146245 | | |
| 16 | Clutch Spring - 1146767 | 43 | Bushing B | | |
| 17 | Clutch Cam | 44 | Level Wind Support Shaft | | |
| 18 | Clutch Plate | 45 | Worm Shaft - 1146307 | | |
| 19 | Clutch Plate Screw - 1146247 | 46 | Worm Shaft Guard - 1145724 | | |
| 20 | Right Side Plate Screw (x4) (T15LLA • T20LLA) | 47 | Level Wind Bushing | | |
| | Right Side Plate Screw (x5) (T30LLA) - 1146250 | 48 | Level Wind Nut - 1145221 | | |
| 21 | Spring Washer A (x3) - 1146768 | 49 | Level Wind Washer - 1146875 | | |
| 22 | Spring Washer B (x1) - 1146769 | 50 | Level Wind Pawl - 1145929 | | |
| 23 | Ball Bearing - 1145079 | 51 | Level Wind Assembly - 1145144 | | |
| | (T20LO FEATURES A BRASS BUSHING) | 52 | Level Wind Lock Plate | | |
| 24 | Key Washer (x2) - 1146881 | 53 | Rivet - 1145952 | | |
| 25 | Drag Washer (x3) - 1146876 | 54 | Spool Assembly (T15L • T20L • T30L) | | |
| 26 | Eared Washer - 1146882 | 54A | Spool Assembly (T15LA • T20LA • T30LA) | | |
| 27 | Idler Gear Washer | 55 | Spool Gear | | |
| | | 56 | Level Wind Drive Gear - 1145583 | | |

9 thru 12 Cast Control Cap Assy / 1146946