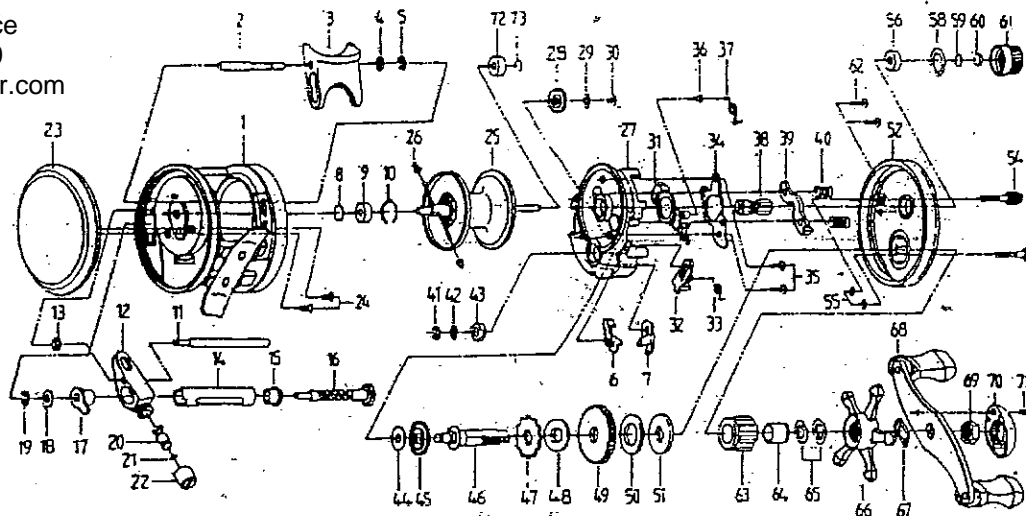


Use this parts list for ordering replacement parts for your Synergy BC4200 Reel.

For Parts and Service
Call 1-888-404-1119
www.mikesreelrepair.com



Part #	Part Name
1	Frame
2	Clutch Bar Pin
3	Clutch Bar—1145756
4	Washer—1146823
5	Retainer (2.5)
6	Pawl Retainer
7	Anti-Reverse Pawl
8	Spacer A
9	Ball Bearing—1145088
10	Bearing Retainer
11	Pillar
12	Level Wind—1145137
13	Retainer (2.0)
14	Level Wind Guard
15	Worm Shaft Bus B—1145172
16	Worm Shaft—1146279
17	Worm Shaft Bus A—1145173
18	Washer—1146823
19	Retainer (2.5)
20	Line Guide Pawl—1145910
21	Line Guide Washer—1146818
22	Level Wind Nut—1145789
23	Left Side Cover
24	Left Side Cover Sc—1146183
25	Spool
26	Brake Collar—1145287
27	Set Plate
28	Idle Gear—1145560
29	Washer—1146823
30	Idle Gear Screw—1146182
31	Clutch Cam
32	Kick Lever
33	Kick Lever Spring—1146695
34	Cam Plate—1146014
35	Cam Plate Screw—1146182
36	Spring Collar—1145288

Part #	Part Name
37	Clutch Spring Cam—1146696
38	Pinion Gear—1145961
39	Yoke—1146908
40	Yoke Spring—1146620
41	Retainer—1145281
42	Crank Shaft Washer—1146824
43	Bushing
44	O/S Gear Washer—1146825
45	O/S Gear—1145565
46	Crank Shaft—1146280
47	Kicking Ratchet—1146037
48	Drag Washer A—1146819
49	Drive Gear—1145564
50	Drag Washer B—1146822
51	Key Washer—1146821
52	Right Side Cover
54	SUB Thumb Screw—1146184
55	Thumb Screw Ring—1146070
56	Oiless Bearing—1145086
58	O-Ring—1146069
59	Spacer B—1146332
60	Cushion Washer—1146820
61	SUB Cast Control Cap—1145209
62	Right Side Cover Sc—1146181
63	Bushing
64	Sleeve
65	Drag Spring Washer
66	Star Drag
67	Friction Washer
68	SUB Handle—1145344
69	Handle Nut—1145790
70	SUB Handle Nut Cap—1145210
71	Handle Nut Cap Sc—1146178
72	Ball Bearing—1145090
73	Ball Bearing Ret—1146053