

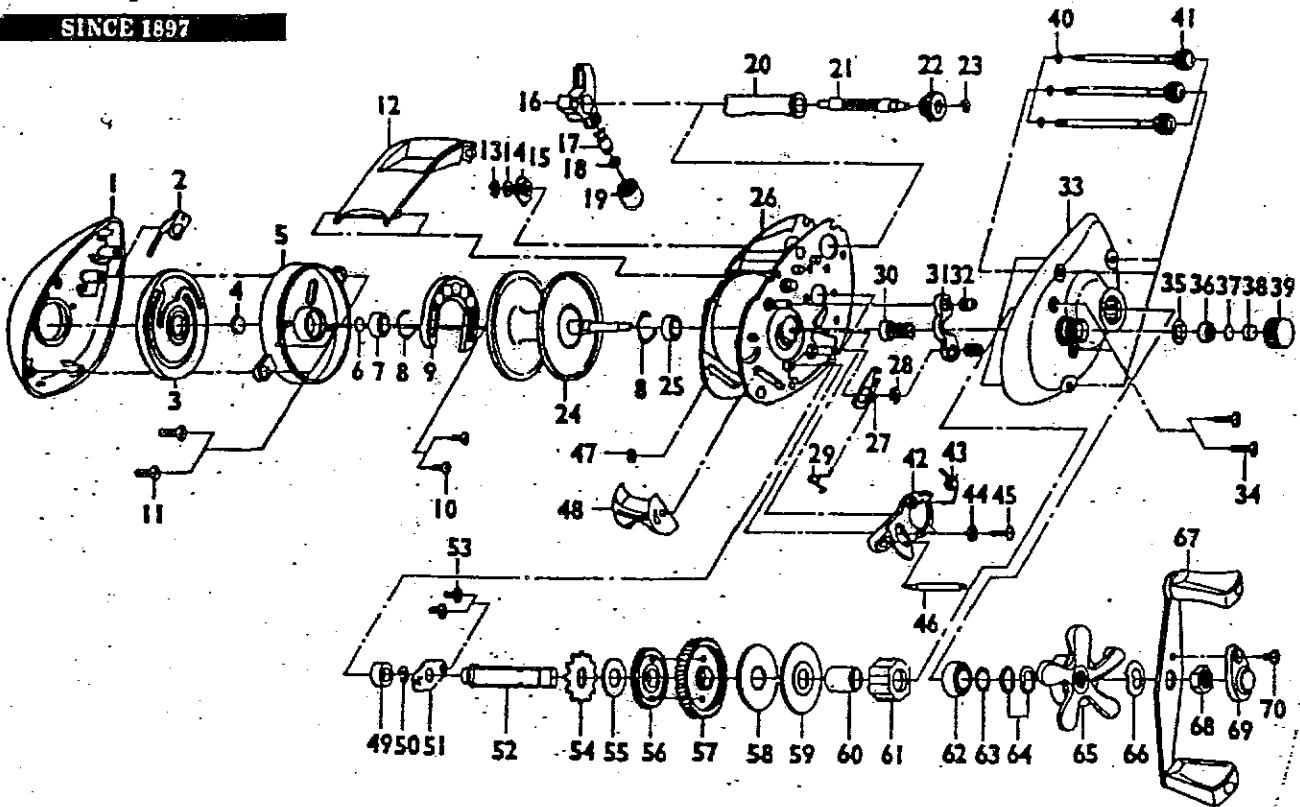
Sigma SS440

Part #SS440

PARTS NLA

Shakespeare

SINCE 1897



Key
No.

- 1 Left Side Cover
- 2 Clicker
- 3 Magnet Control Dial
- 4 Cushion Washer
- 5 Spool Cover
- 6 Spool Tension Shim
- 7 Bearing
- 8 Clip Ring
- 9 Magnet Slider Assembly
- 10 Screw-Magnet Slider
- 11 Screw-Spool Cover
- 12 Hood
- 13 E-Ring (Worm Shaft)
- 14 Washer (Worm Shaft)
- 15 Worm Shaft Bushing
- 16 Line Guide Carrier
- 17 Line Guide Pawl
- 18 Washer (L/G Pawl)
- 19 Line Guide Carrier Screw
- 20 Worm Shaft Guide
- 21 Worm Shaft
- 22 Level Wind Gear
- 23 E-Ring (L/W Gear)
- 24 Spool Assembly
- 25 Bearing
- 26 Frame
- 27 Kick Lever
- 28 E-Ring (Kick Lever)
- 29 Spring-Kick Lever
- 30 Pinion Gear
- 31 Pinion Yoke
- 32 Spring-Pinion Yoke
- 33 Right Side Cover
- 34 Screw (R/S Cover)
- 35 Tension Knob Ring

Key
No.

- 36 Bearing
- 37 Washer-Spool Tension
- 38 Cushion Washer-Spool
- 39 Spool Tension Knob
- 40 Ring-Thumb Screw Ret.
- 41 Thumb Screw
- 42 Release Slider
- 43 Spring-Release Slider
- 44 Washer-Release Slider
- 45 Screw-Release Slider
- 46 Pin-Thumb Rest
- 47 E-Ring Pin
- 48 Thumb Rest
- 49 Bearing-Crankshaft
- 50 E-Ring-Crankshaft
- 51 Retainer-Crankshaft
- 52 Crankshaft
- 53 Screw-Crankshaft Retainer
- 54 Trip Ratchet
- 55 Washer
- 56 Gear-L/W Idler
- 57 Drive Gear
- 58 Drag Disc
- 59 Drag Washer
- 60 Clutch Sleeve
- 61 Anti-Reverse Clutch
- 62 Bearing-Crankshaft Top
- 63 Washer-Crankshaft
- 64 Spring D Washer
- 65 Drag Star
- 66 Handle Washer
- 67 Handle Assembly
- 68 Handle Nut
- 69 Handle Nut Cap
- 70 Handle Nut Cap Screw