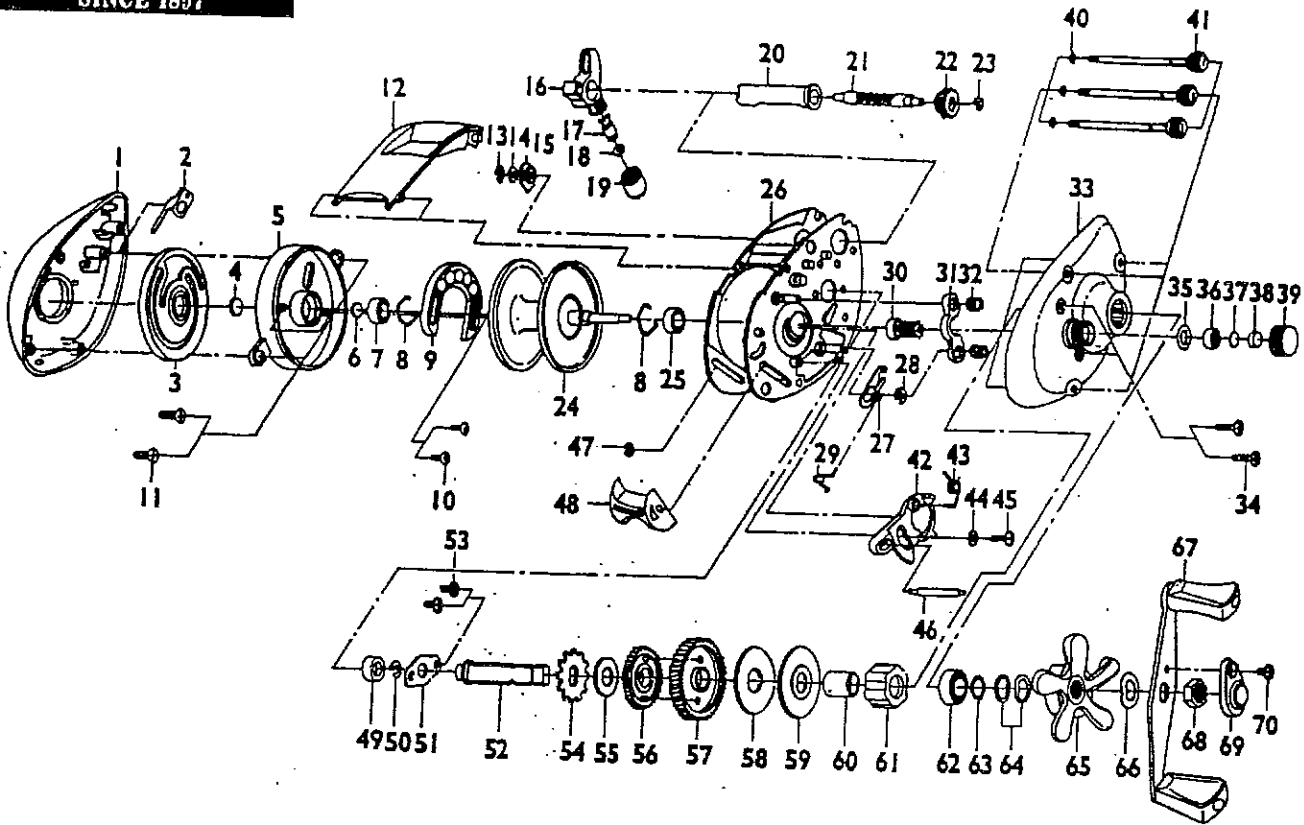


Shakespeare

SINCE 1897

PARTS NLA

Sigma SS430T
 Part #SS430T



Key
 No.
 1
 2
 3
 4
 5
 6
 7
 8
 9
 10
 11
 12
 13
 14
 15
 16
 17
 18
 19
 20
 21
 22
 23
 24
 25
 26
 27
 28
 29
 30
 31
 32
 33
 34
 35

Description
 Left Side Cover
 Clicker
 Magnet Control Dial
 Cushion Washer
 Spool Cover
 Spool Tension Shim
 Bearing
 Clip Ring
 Magnet Slider Assembly
 Screw-Magnet Slider
 Screw-Spool Cover
 Hood
 E-Ring (Worm Shaft)
 Washer (Worm Shaft)
 Worm Shaft Bushing
 Line Guide Carrier
 Line Guide Pawl
 Washer (L/G Pawl)
 Line Guide Carrier Screw
 Worm Shaft Guide
 Worm Shaft
 Level Wind Gear
 E-Ring (L/W Gear)
 Spool Assembly
 Bearing
 Frame
 Kick Lever
 E-Ring (Kick Lever)
 Spring-Kick Lever
 Pinion Gear
 Pinion Yoke
 Spring-Pinion Yoke
 Right Side Cover
 Screw (R/S Cover)
 Tension Knob Ring

Key
 No.
 36
 37
 38
 39
 40
 41
 42
 43
 44
 45
 46
 47
 48
 49
 50
 51
 52
 53
 54
 55
 56
 57
 58
 59
 60
 61
 62
 63
 64
 65
 66
 67
 68
 69
 70

Description
 Bearing
 Washer-Spool Tension
 Cushion Washer-Spool
 Spool Tension Knob
 Ring-Thumb Screw Ret.
 Thumb Screw
 Release Slider
 Spring-Release Slider
 Washer-Release Slider
 Screw-Release Slider
 Pin-Thumb Rest
 E-Ring Pin
 Thumb Rest
 Bearing-Crankshaft
 E-Ring-Crankshaft
 Retainer-Crankshaft
 Crankshaft
 Screw-Crankshaft Retainer
 Trip Ratchet
 Washer
 Gear-L/W Idler
 Drive Gear
 Drag Disc
 Drag Washer
 Clutch Sleeve
 Anti-Reverse Clutch
 Bearing-Crankshaft Top
 Washer-Crankshaft
 Spring D Washer
 Drag Star
 Handle Washer
 Handle Assembly
 Handle Nut
 Handle Nut Cap
 Handle Nut Cap Screw

64