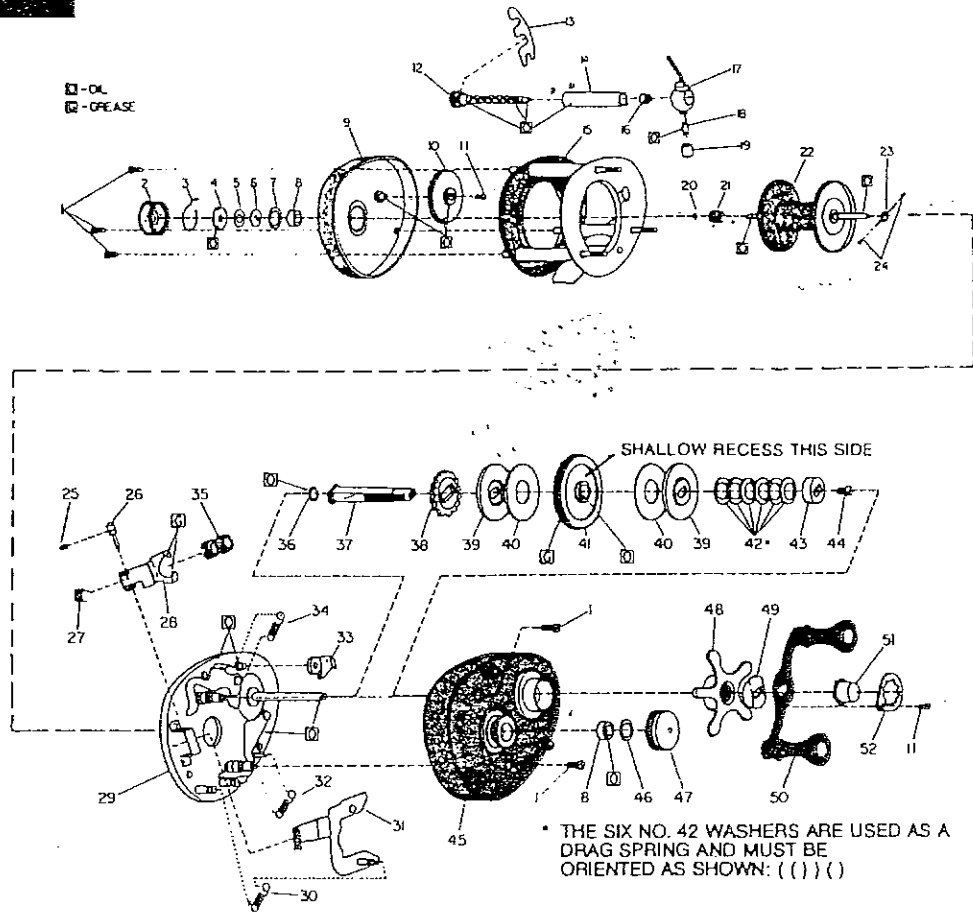


Shakespeare®

For Parts and Service  
 Call 1-888-404-1119  
 www.mikesreelrepair.com

PRESIDENT II  
 1980HB-DF



REF. NO.	PART NO.	DESCRIPTION	REF. NO.	PART NO.	DESCRIPTION
1		Frame Screw	27		Yoke Spring
2		Spool Cap, Tail	28		Yoke
3		Retention Spring	29		Gear Plate Assy.
4		Oil Reservoir Washer	30		Trip Lever Spring
5		Hydro Washer (Teflon)	31		Trip Lever Assy.
6		Keyed Hydro Washer	32		Right Cam Spring (Long)
7		Bearing Retaining Spring	33	1144757	Non Reverse Pawl Assy.
8	1144644	Ball Bearing	34		Left Cam Spring
9		Tail Cap Assy.	35		Pinion
10		Idler Gear	36		Tension Washer
11		Screw	37		Gear Stem
12		Carriage Screw Assy.	38		Ratchet
13		Carriage Retainer Clip	39		Keyed Washer
14		Line Guard	40		Drag Washer
15		Frame Assy.	41		Drive Gear
16		Line Guard Bushing	42		Belleville Spring
17		Carriage Block Assy.	43		Drag Spacer
18		Pawl	44		Post Clip
19		Pawl Cover	45		Head Cap Assy.
20		Retaining Ring	46		Spacer Washer
21		Spool Pinion	47		Spool Cap. Head
22		Spool Assy.	48		Drag Star Assy.
23		Spring	49		Spring Washer
24		Disc	50		Crank Assy.
25		Retaining Ring	51		Crank Nut
26		Yoke Pin	52		Lock Washer

54