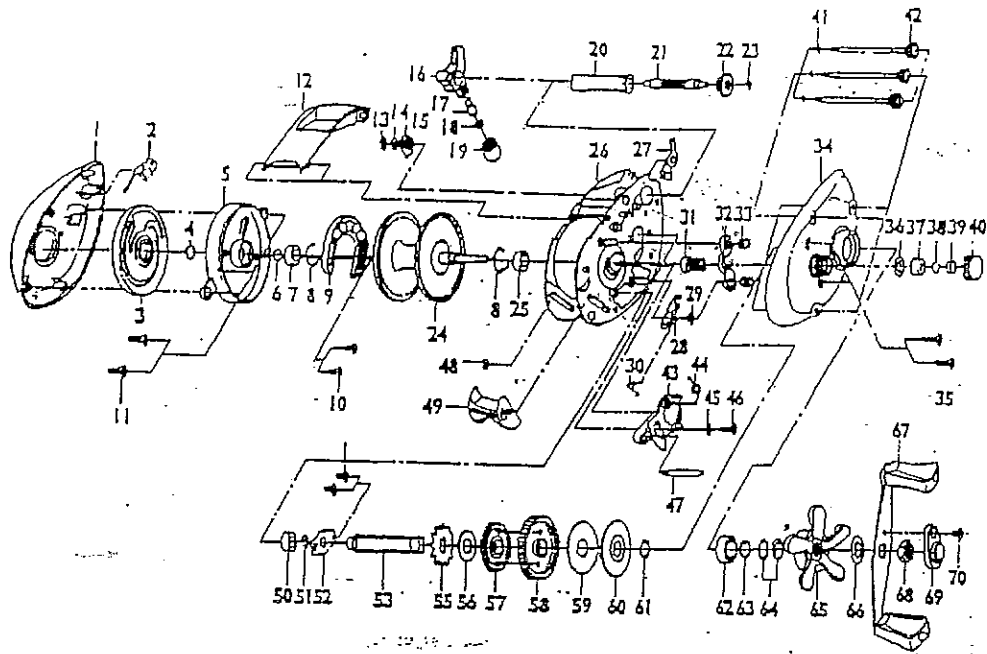


LX 2000

PARTS NLA

LX 2000



SS 420 Parts List

Key No.	Description	Key No.	Description
1	Left Side Cover	36	Tension Knob Ring
2	Clicker	37	Bearing
3	Magnet Control Dial	38	Washer-Spool Tension
4	Cushion Washer	39	Cushion Washer-Spool
5	Spool Cover	40	Spool Tension Knob
6	Spool Tension Shim	41	Ring-Thumb Screw Ret.
7	Bearing	42	Thumb Screw
8	Clip Ring	43	Release Slider Assembly
9	Magnet Slider Assembly	44	Spring-Release Slider
10	Screw-Magnet Slider	45	Washer-Release Slider
11	Screw-Spool Cover	46	Screw-Release Slider
12	Hood	47	Pin-Thumb Rest
13	E-Ring (Worm Shaft)	48	E-Ring Pin
14	Washer (Worm Shaft)	49	Thumb Rest
15	Worm Shaft Bushing	50	Bearing-Crankshaft
16	Line Guide Carrier	51	E-Ring-Crankshaft
17	Line Guide Pawl	52	Retainer-Crankshaft
18	Washer (L/G Pawl)	53	Crankshaft
19	Line Guide Carrier Screw	54	Screw-Crankshaft Retainer
20	Worm Shaft Guide	55	Trip Ratchet
21	Worm Shaft	56	Washer
22	Level Wind Gear	57	Gear-L/W Idler
23	E-Ring (L/W Gear)	58	Drive Gear
24	Spool Assembly	59	Drag Disc
25	Bearing	60	Drag Washer
26	Frame	61	Clutch Sleeve
27	Anti-Reverse Pawl	62	Bearing-Crankshaft Top
28	Kick Lever	63	Washer-Crankshaft
29	E-Ring (Kick Lever)	64	Spring D Washer
30	Spring-Kick Lever	65	Drag Star
31	Pinion Gear	66	Handle Washer
32	Pinion Yoke	67	Handle Assembly
33	Spring-Pinion Yoke	68	Handle Nut
34	Right Side Cover	69	Handle Nut Cap
35	Screw (R/S Cover)	70	Handle Nut Cap Screw

45