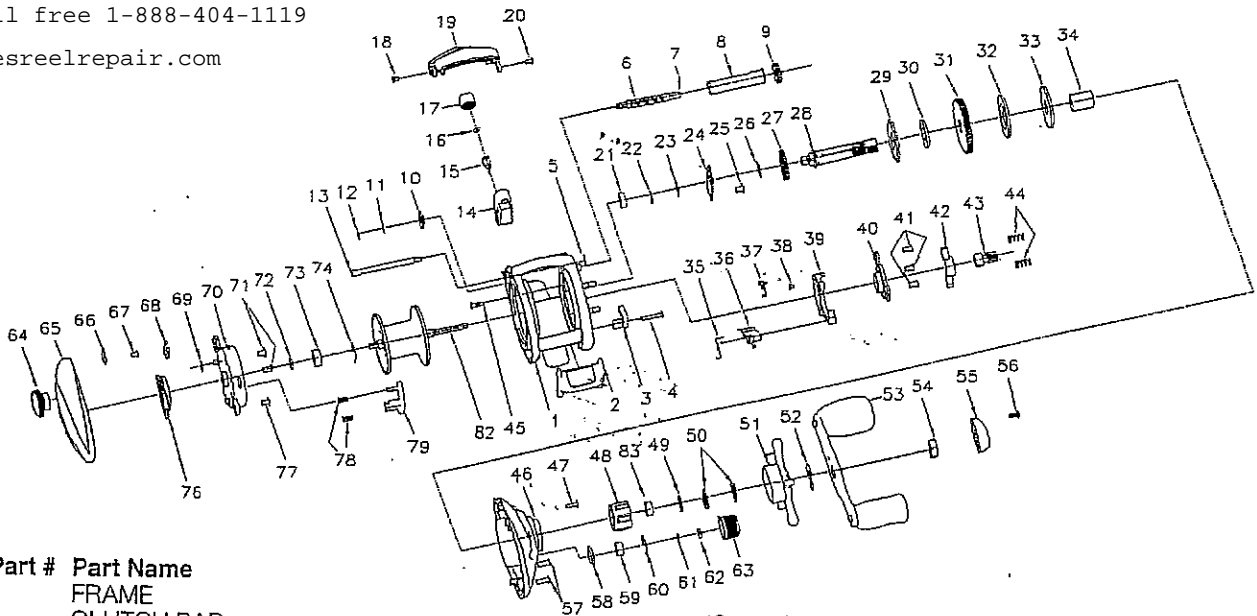


For Parts and Service

call toll free 1-888-404-1119

www.mikesreelrepair.com



Part #	Part Name
1	FRAME
2	CLUTCH BAR
3	CLUTCH LINK
4	CLUTCH BAR SCREW
5	E-RING
6	WORM SHAFT
7	WORM SHAFT PIN — 1145950
8	LINE GUIDE PIPE
9	IDLER(S)
10	WORM SHAFT BUSHING
11	WORM SHAFT WASHER
12	E-RING — 1145283
13	PILLAR
14	LINE GUIDE ASSEMBLY
15	LINE GUIDE PAWL
16	SPACER — 1146818
17	PAWL CAP
18	FRONT COVER SCREW-A
19	FRONT COVER
20	FRONT COVER SCREW-B
21	BALL BEARING — 1145089
22	E-RING — 1145283
23	IDLER(L) WASHER
24	BEARING PLATE
25	BEARING PLATE SCREW
26	IDLER(L) WASHER
27	IDLER(L)
28	CRANK SHAFT
29	RATCHET
30	RATCHET WASHER
31	DRIVE GEAR
32	DRAG WASHER(B)
33	DRAG WASHER(D)
34	O.W.C. SLEEVE
35	RETURN PAWL SPRING — 1146750
36	RETURN PAWL
37	CLUTCH SPRING — 1146749
38	CLUTCH SPRING BUSHING — 1145288
39	CLUTCH CAM
40	CAM PLATE
41	CAM PLATE SCREW(3)
42	PINION YOKE ASSEMBLY
43	PINION GEAR
44	PINION YOKE SPRING(2) — 1146751
45	R-COVER SCREW
46	RIGHT SIDE COVER
47	R-COVER SCREW(A)
48	ONE WAY CLUTCH
49	SPACER
50	DRAG SPRING WASHER(2) — 1146895
51	STAR DRAG
52	LEAF SPRING — 1146859
53	HANDLE ASSEMBLY
54	HANDLE NUT — 1145790
55	HANDLE NUT CAP
56	HANDLE NUT CAP SCREW
57	R-COVER SCREW(B)
58	O-RING — 1146071
59	BALL BEARING
60	BEARING RETAINER — 1146066
61	SPOOL SPACER(B)
62	TENSION WASHER
63	CAST CONTROL CAP — 1146948
64	MAGNET CONTROL DIAL
65	LEFT SIDE COVER ASSEMBLY
66	MAGNET CONTROL DIAL CLIP
67	MAGNET CONTROL DIAL CLIP SCREW
68	LOCKING SPRING
69	O-RING
70	SPOOL COVER
71	SPOOL COVER SCREW-A(2)
72	SPOOL SPACER
73	BALL BEARING — 1145095
74	BEARING RETAINER — 1146728
76	SLIDE CAM
77	SPOOL COVER SCREW-B
78	MAGNET HOLDER SPRING(2)
79	MAGNET HOLDER ASSEMBLY
82	SPOOL ASSEMBLY
83	BALL BEARING — 1145103

For Parts and Service

call toll free 1-888-404-1119

www.mikesreelrepair.com