

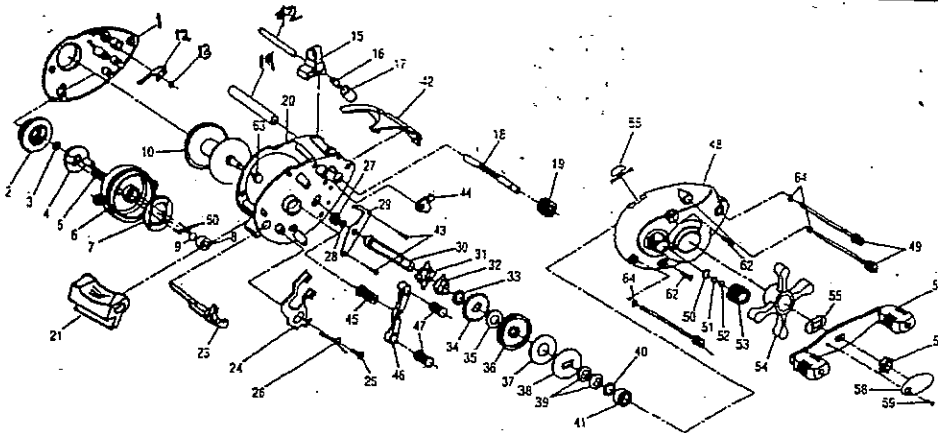
For Parts and Service  
 call toll free 1-888-404-1119  
 www.mikesreelrepair.com

Contender 110



# 110 Baitcast Reel

Use this parts list for ordering replacement parts for your Contender 110 Baitcast Reel.



- | Part # | Part Name             |
|--------|-----------------------|
| 1      | Left Side Cover       |
| 2      | Control Dial          |
| 3      | Dial Friction Ring    |
| 4      | Dial Base             |
| 5      | Dial Base Spring      |
| 6      | Spool Cover           |
| 7      | Magnet Plate Assembly |
| 8      | Spool Bushing         |
| 9      | Spool Shim            |
| 10     | Spool                 |
| 12     | Click Spring          |
| 13     | Click Washer          |
| 14     | Carrier Guide         |
| 15     | Line Guide Assembly   |
| 16     | Line Guide Pawl       |
| 17     | Pawl Cover            |
| 18     | Shuttle Screw         |
| 19     | Shuttle Gear          |
| 20     | Frame                 |
| 21     | Thumb Lever           |
| 23     | Release Crank         |
| 24     | Release Slider        |
| 25     | Slider Screw          |
| 26     | Release Spring        |
| 27     | Bushing               |
| 28     | Retaining Ring        |
| 29     | Crank Shaft Retainer  |
| 30     | Crank Shaft           |
| 31     | Star Trip Latch       |
| 32     | Ring Trip Latch       |
| 33     | Ratchet Washer        |
| 34     | Ratchet               |

- | Part # | Part Name                  |
|--------|----------------------------|
| 35     | Friction Washer            |
| 36     | Drive Gear                 |
| 37     | Fiber Washer               |
| 38     | Drag Washer                |
| 39     | Spring D Washer            |
| 40     | Spacer                     |
| 41     | Ball Bearing               |
| 42     | Hood                       |
| 43     | Retainer Screw             |
| 44     | Anti-Reverse Pawl Assembly |
| 45     | Pinion Assembly            |
| 46     | Pinion Yoke                |
| 47     | Yoke Spring                |
| 48     | Right Side Cover           |
| 49     | Thumb Screw                |
| 50     | O-Ring                     |
| 51     | Tension Knob Washer        |
| 52     | Rubber Washer              |
| 53     | Tension Knob               |
| 54     | Star Drag                  |
| 55     | Handle Spring Washer       |
| 56     | Handle Assembly            |
| 57     | Handle Nut                 |
| 58     | Lock Cap                   |
| 59     | Lock Cap Screw             |
| 60     | Plate Screw                |
| 61     | Spool Cover Screw          |
| 62     | Cover Screw                |
| 63     | Bushing                    |
| 64     | Thumb Screw O-Ring         |
| 65     | Flipping Switch            |

For Parts and Service  
 call toll free 1-888-404-1119  
 www.mikesreelrepair.com

TENSION KNOB ASSY — 1145228

24