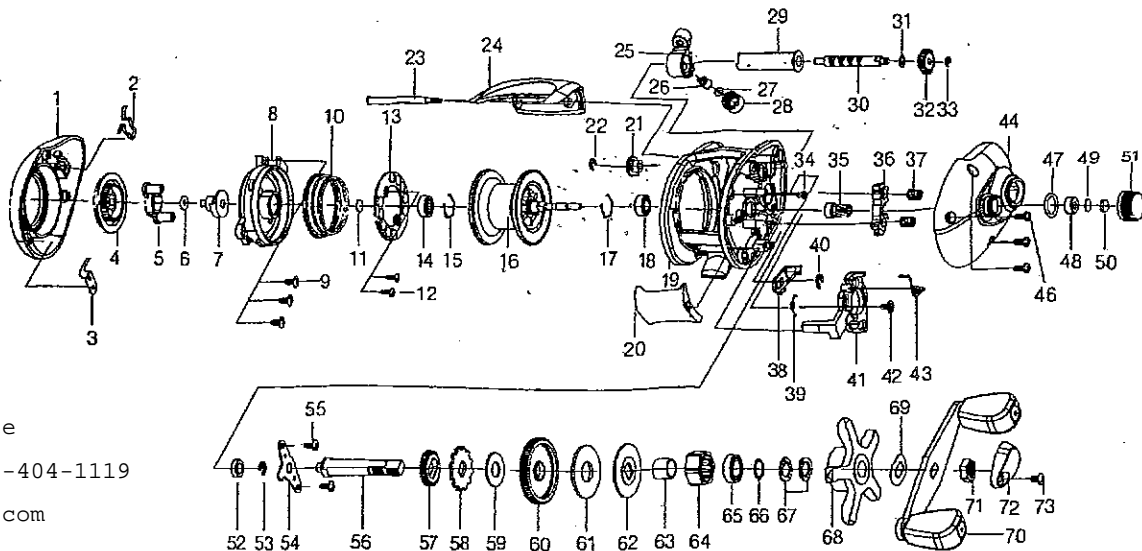




Catera LP Reel Parts List

Newer

Use this parts list for ordering replacement parts for your Shakespeare Baitcast Reel. When ordering, please specify which reel you own and the model number printed on the reel body.



For Parts and Service
 call toll free 1-888-404-1119
 www.mikesreelrepair.com

Part #	Part Name	Part #	Part Name	Part #	Part Name
1	Left Side Plate	36	Pinion Yoke	67	Star Drag Tension Washer (2)—1146859
2	Locking Spring	37	Pinion Yoke Spring	68	Star Drag
3	Click Claw	38	Kick Lever	69	Handle Washer
4	Control Dial	39	Kick Lever Spring	70	Handle Assembly
5	Slide Cam A	40	Kick Lever Retainer —1145284	71	Handle Nut
6	O-Ring	41	Release Slider	72	Handle Nut Cap
7	Slide Cam B	42	Release Slider Tap Screw	73	Handle Nut Cap Screw
8	Spool Cover	43	Release Slider Spring		
9	Spool Cover Tap Screw	44	Right Side Plate		
10	Coil Spring	46	Right Side Plate Screw (3)		
11	Spool Tension Washer B	47	Tension Knob O-Ring —1146069		
12	Spool Cover Tap Screw (2)	48	Tension Knob Bushing —1145086		
13	Magnet Plate Assembly	49	Spool Tension Washer		
14	Ball Bearing —1145088	50	Spool Cushion Washer		
1146063-15	Spool Cover Bearing Retainer	51	Spool Tension Knob		
16	Spool Assembly	52	Crank Shaft Bushing		
17	Ring —1146069	53	Crank Shaft Retainer—1145284		
18	Ball Bearing	54	Crank Shaft Bearing Plate		
19	Frame Assembly	55	Bearing Plate Tap Screw (2)		
20	Thumb Bar	56	Crank Shaft		
21	Worm Shaft Bushing	57	Oscillate Drive Gear		
22	Worm Shaft Retainer—1145278	58	Trip Ratchet		
23	Stabilizer Bar	59	Trip Ratchet Washer		
24	Front Support	60	Drive Gear		
25	Line Guide Carrier	61	Drag Disc		
26	Line Guide Pawl	62	Drag D Washer		
27	Line Guide Paw Washer	63	One Way Bearing Sleeve		
28	Pawl Cap	64	One Way Bearing		
29	Worm Shaft Guide	65	Crank Shaft Ball Bearing —1145103		
30	Worm Shaft	66	Crank Shaft Washer		
31	Worm Shaft Washer				
32	Oscillate Pinion Gear				
33	Oscillate Pinion Gear Retainer				
34	Release Slider Spring Bush				
35	Pinion Gear Assembly				

