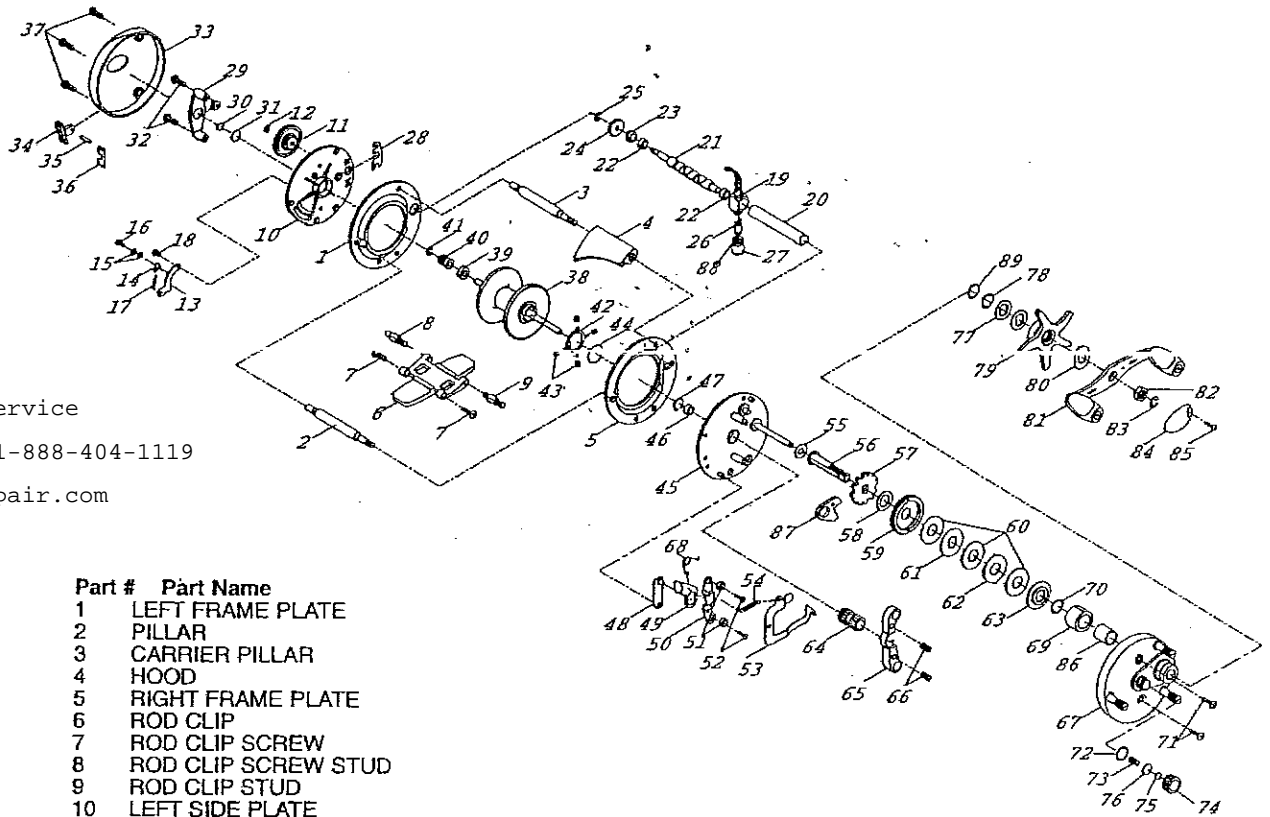


SKP 3100 & 4100
CATERA 3300A & 4300A

For Parts and Service
call toll free 1-888-404-1119
www.mikesreelrepair.com

CATERA
4300A
older



For Parts and Service
call toll free 1-888-404-1119
www.mikesreelrepair.com

- | Part # | Part Name |
|--------|---|
| 1 | LEFT FRAME PLATE |
| 2 | PILLAR |
| 3 | CARRIER PILLAR |
| 4 | HOOD |
| 5 | RIGHT FRAME PLATE |
| 6 | ROD CLIP |
| 7 | ROD CLIP SCREW |
| 8 | ROD CLIP SCREW STUD |
| 9 | ROD CLIP STUD |
| 10 | LEFT SIDE PLATE |
| 11 | TRANSFER GEAR |
| 12 | RETAINING RING — 1145278 |
| 13 | CLICK PAWL LEVER |
| 14 | CLICK PAWL |
| 15 | CLICK PAWL WASHER |
| 16 | CLICK PAWL SCREW |
| 17 | CLICK PAWL SPRING |
| 18 | CLICK LEVER SCREW |
| 19 | LINE GUIDE CARRIER |
| 20 | CARRIER GUIDE |
| 21 | SHUTTLE SCREW |
| 22 | SHUTTLE SCREW BUSHING |
| 23 | SHUTTLE SCREW RING |
| 24 | SHUTTLE GEAR |
| 25 | RETAINING RING — 1145278 |
| 26 | LINE GUIDE PAWL — 1145919 |
| 27 | PAWL COVER — 1145221 |
| 28 | CARRIER GUIDE RETAINER |
| 29 | SPOOL COVER |
| 30 | RUBBER WASHER |
| 31 | SPOOL SHIM |
| 32 | SPOOL SHIM HOLDER SCREW |
| 33 | LEFT COVER |
| 34 | BAIT CLICK BUTTON |
| 35 | SPRING PIN |
| 36 | B-CLICK BUTTON SPRING |
| 37 | LEFT COVER SCREW |
| 38 | SPOOL |
| 39 | SPOOL BEARING |
| 40 | SPOOL GEAR |
| 41 | RETAINING RING — 1145278 |
| 42 | BRAKE MOUNTING |
| 43 | BRAKE SHOES |
| 44 | LOCK RING |
| 45 | RIGHT SIDE PLATE |
| 46 | SPOOL BEARING (3100/4100 BUSHING) |
| 47 | BEARING LOCK SPRING |
| 48 | PILOT LEVER |
| 49 | PUSH BAR |
| 50 | PUSH BAR RETAINER |
| 51 | RETAINER WASHER |
| 52 | PUSH BAR RETAINER SCREW |
| 53 | LATCH BAR |
| 54 | LATCH BAR SPRING |
| 55 | GEAR STEM WASHER |
| 56 | GEAR STEM |
| 57 | RATCHET |
| 58 | FRICTION WASHER (SMALL) |
| 59 | DRIVE GEAR |
| 60 | FRICTION WASHER (LARGE) |
| 61 | KEYED DRAG WASHER |
| 62 | EARED WASHER |
| 63 | DRAG WASHER |
| 64 | PINION |
| 65 | PINION YOKE |
| 66 | PINION YOKE SPRING |
| 67 | RIGHT COVER ASSEMBLY |
| 68 | OFF SPRING |
| 69 | OWC BEARING ASSEMBLY (3300A/4300A ONLY) |
| 70 | TEFLON WASHER (3300A/4300A ONLY) |
| 71 | RIGHT COVER SCREW — 1146219 |
| 72 | O RING |
| 73 | TENSION KNOB SPRING |
| 74 | TENSION KNOB |
| 75 | RUBBER WASHER |
| 76 | TENSION KNOB SPACER |
| 77 | SPRING D WASHER |
| 78 | WASHER |
| 79 | STAR DRAG |
| 80 | CRANK SPRING WASHER — 1146858 |
| 81 | CRANK ARM |
| 82 | CRANK NUT |
| 83 | RETAINING RING — 1145281 |
| 85 | LOCK CAP SCREW — 1146219 |
| 86 | SPACER |
| 87 | N-R PAWL |
| 88 | PAWL WASHER |
| 89 | WASHER (3100/4100 ONLY) |

21