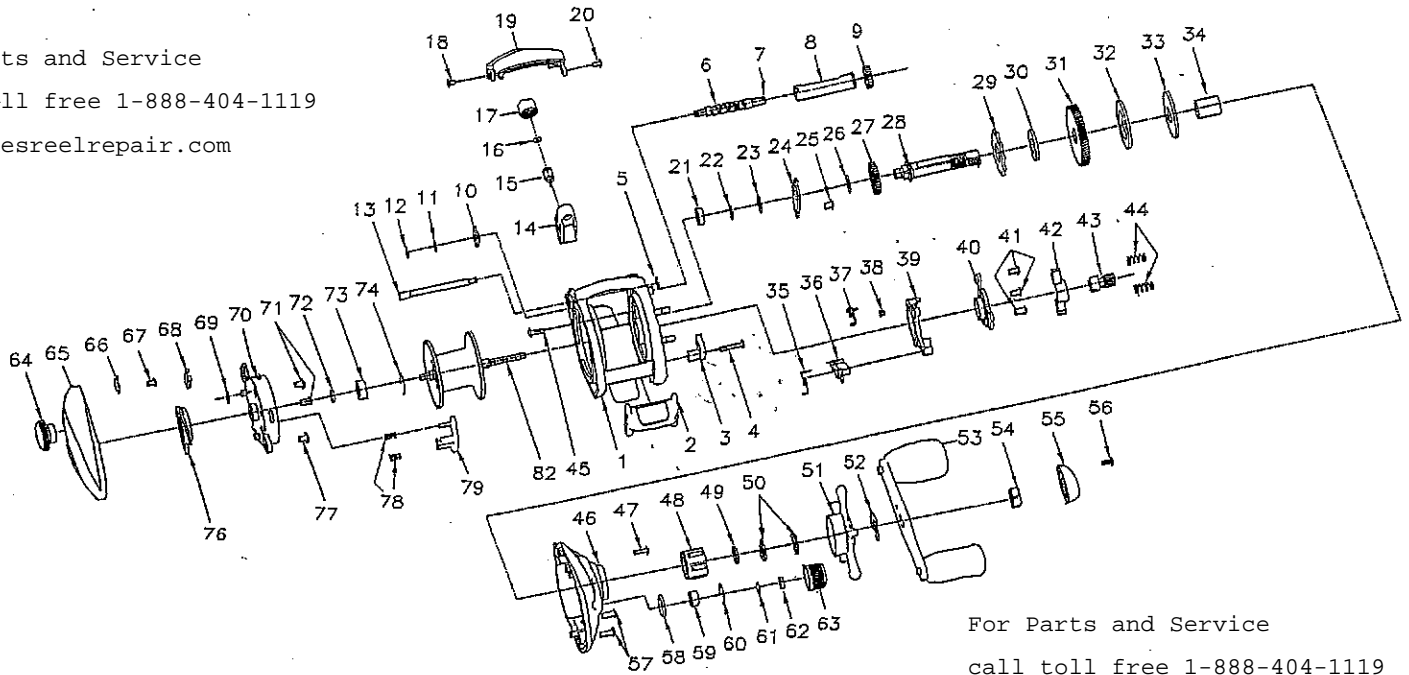


For Parts and Service

call toll free 1-888-404-1119

www.mikesreelrepair.com



For Parts and Service

call toll free 1-888-404-1119

www.mikesreelrepair.com

Part # Part Name

- | | | | |
|----|---------------------------------|----|--------------------------------|
| 1 | FRAME | 57 | R-COVER SCREW(B) |
| 2 | CLUTCH BAR | 58 | O-RING — 1146071 |
| 3 | CLUTCH LINK | 59 | BUSHING |
| 4 | CLUTCH BAR SCREW | 60 | BEARING RETAINER — 1146066 |
| 5 | E-RING | 61 | SPOOL SPACER(B) |
| 6 | WORM SHAFT | 62 | TENSION WASHER |
| 7 | WORM SHAFT PIN — 1145950 | 63 | CAST CONTROL CAP |
| 8 | LINE GUIDE PIPE | 64 | MAGNET CONTROL DIAL |
| 9 | IDLER(S) | 65 | LEFT SIDE COVER ASSEMBLY |
| 10 | WORM SHAFT BUSHING | 66 | MAGNET CONTROL DIAL CLIP |
| 11 | WORM SHAFT WASHER | 67 | MAGNET CONTROL DIAL CLIP SCREW |
| 12 | E-RING — 1145278 | 68 | LOCKING SPRING |
| 13 | PILLAR | 69 | O-RING |
| 14 | LINE GUIDE ASSEMBLY | 70 | SPOOL COVER |
| 15 | LINE GUIDE PAWL | 71 | SPOOL COVER SCREW-A(2) |
| 16 | SPACER | 72 | SPOOL SPACER |
| 17 | PAWL CAP | 73 | BALL BEARING — 1145088 |
| 18 | FRONT COVER SCREW-A | 74 | BEARING RETAINER — 1146728 |
| 19 | FRONT COVER | 76 | SLIDE CAM |
| 20 | FRONT COVER SCREW-B | 77 | SPOOL COVER SCREW-B |
| 21 | BALL BEARING — 1145089 | 78 | MAGNET HOLDER SPRING(2) |
| 22 | E-RING — 1145283 | 79 | MAGNET HOLDER ASSEMBLY |
| 23 | IDLER(L) WASHER | 82 | SPOOL ASSEMBLY |
| 24 | BEARING PLATE | | |
| 25 | BEARING PLATE SCREW | | |
| 26 | IDLER(L) WASHER | | |
| 27 | IDLER(L) | | |
| 28 | CRANK SHAFT | | |
| 29 | RATCHET | | |
| 30 | RATCHET WASHER | | |
| 31 | DRIVE GEAR | | |
| 32 | DRAG WASHER(B) | | |
| 33 | DRAG WASHER(D) | | |
| 34 | O.W.C. SLEEVE | | |
| 35 | RETURN PAWL SPRING | | |
| 36 | RETURN PAWL | | |
| 37 | CLUTCH SPRING | | |
| 38 | CLUTCH SPRING BUSHING — 1145288 | | |
| 39 | CLUTCH CAM | | |
| 40 | CAM PLATE | | |
| 41 | CAM PLATE SCREW(3) | | |
| 42 | PINION YOKE ASSEMBLY | | |
| 43 | PINION GEAR | | |
| 44 | PINION YOKE SPRING(2) — 1146751 | | |
| 45 | R-COVER SCREW | | |
| 46 | RIGHT SIDE COVER | | |
| 47 | R-COVER SCREW(A) | | |
| 48 | ONE WAY CLUTCH — 1145087 | | |
| 49 | SPACER | | |
| 50 | DRAG SPRING WASHER(2) | | |
| 51 | STAR DRAG | | |
| 52 | LEAF SPRING | | |
| 53 | HANDLE ASSEMBLY | | |
| 54 | HANDLE NUT | | |
| 55 | HANDLE NUT CAP | | |
| 56 | HANDLE NUT CAP SCREW | | |