

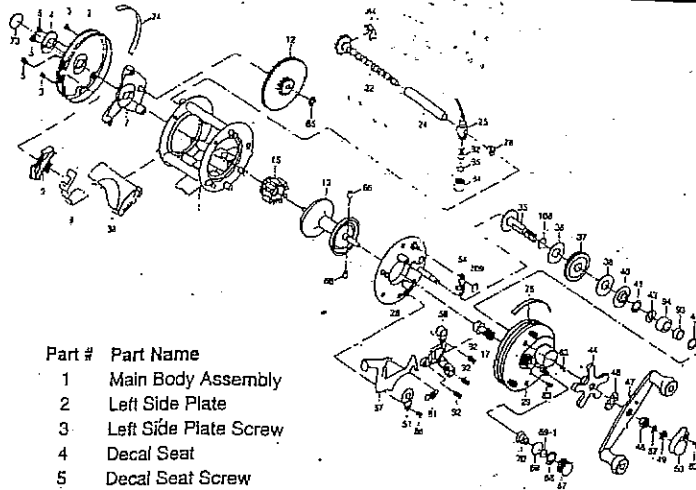
For Parts and Service  
 call toll free 1-888-404-1119  
 www.mikesreelrepair.com

ALPHA XT

ALPHA XT., (MAROON IN COLOR)

## Shakespeare® Baitcast Reel Parts List

Use this parts list for ordering replacement parts for your Shakespeare Baitcast Reel. When ordering, please specify which reel you own and the model number printed on the reel body.



Part #	Part Name	Part #	Part Name
1	Main Body Assembly	58	Yoke
2	Left Side Plate	61	Latch Spring
3	Left Side Plate Screw	63	Multi-Purpose Screw
4	Decal Seat	64	Level Wind Retainer
5	Decal Seat Screw	65	E-Ring
7	Level Wind Gear Frame	66	Centrifugal Brake Shoe
8	Bait Clicker Spring	67	Cast Control Knob
9	Bait Clicker Button	68	Cast Control Pressure Ring
1145587-12	Level Wind Gear	69	Cast Control Brass Washer
13	Spool Assembly	69-1	Cast Control Rubber Washer
15	Level Wind Pinion Gear	70	Cast Control Spring
17	Pinion Gear	73	Decal
22	Worm Shaft	74	Left Side Label
24	Line Guard	75	Right Side Label
25	Line Guide	78	Bushing
28	Right Side Plate Seat	82	Line Guide Pawl
29	Right Side Plate	84	Line Guide Pawl Cap
35	Crankshaft	85	Washer
37	Main Gear	86	Keeper Screw
38	Drag Friction Disc	87	Shim Washer
40	Drag Pressure Plate	88	Thumb Flect Hood
41	Drag Washer	92	Yoke Spring
43	Drag Spring Washer	93	Brass Bushing
44	Star Drag Handle	94	Ball Bearing
46	Handle Spring Washer	108	Retaining Spring
47	Crank Handle Assembly	109	Pawl Retaining Spring
48	Handle Nut		
49	E-Fling		
50	Retaining Cap		
51	Latch Keeper		
54	Anti-Reverse Pawl		
57	Thumb Latch		

For Parts and Service  
 call toll free 1-888-404-1119  
 www.mikesreelrepair.com