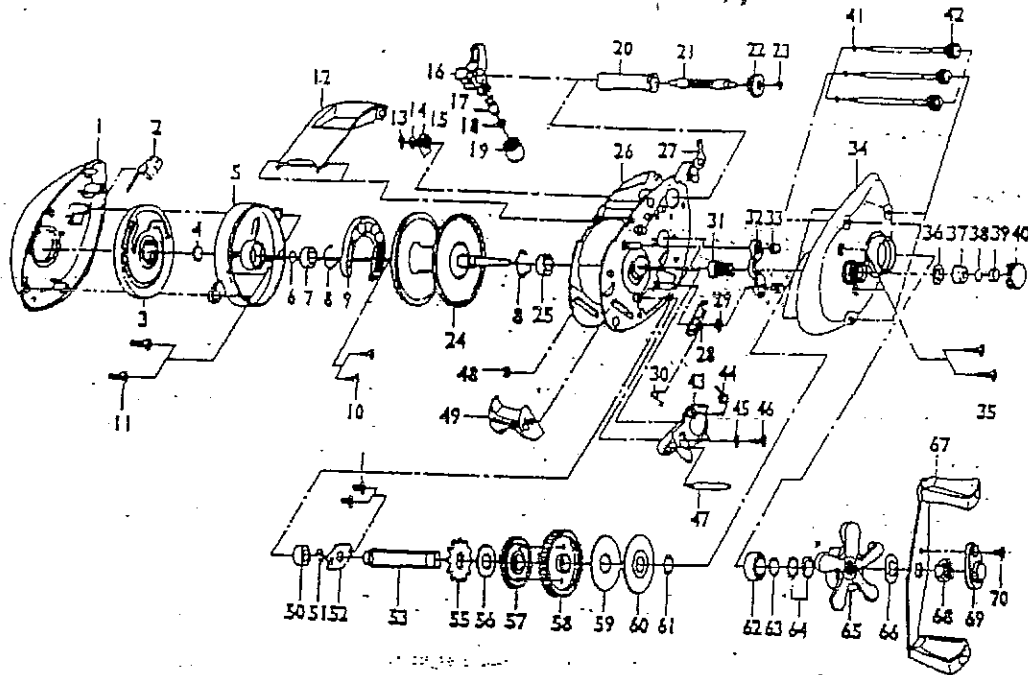


PARTS NLA

For parts and service
call toll free 1-888-404-1119
www.mikesreelrepair.com

ALPHA 55420



For parts and service
call toll free 1-888-404-1119
www.mikesreelrepair.com

SS 420 Parts List

| Key No. | Description | Key No. | Description |
|---------|--------------------------|---------|---------------------------|
| 1 | Left Side Cover | 36 | Tension Knob Ring |
| 2 | Clicker | 37 | Bearing |
| 3 | Magnet Control Dial | 38 | Washer-Spool/Tension |
| 4 | Cushion Washer | 39 | Cushion Washer-Spool |
| 5 | Spool Cover | 40 | Spool Tension Knob |
| 6 | Spool/Tension Shim | 41 | Ring/Thumb Screw/Ret. |
| 7 | Bearing | 42 | Thumb Screw |
| 8 | Clip Ring | 43 | Release Slider Assembly |
| 9 | Magnet Slider Assembly | 44 | Spring-Release Slider |
| 10 | Screw-Magnet Slider | 45 | Washer-Release Slider |
| 11 | Screw-Spool Cover | 46 | Screw-Release Slider |
| 12 | Hood | 47 | Pin-Thumb Rest |
| 13 | E-Ring (Worm Shaft) | 48 | E-Ring Pin |
| 14 | Washer (Worm Shaft) | 49 | Thumb Rest |
| 15 | Worm Shaft Bushing | 50 | Bearing-Crankshaft |
| 16 | Line Guide Carrier | 51 | E-Ring-Crankshaft |
| 17 | Line Guide Pawl | 52 | Retainer-Crankshaft |
| 18 | Washer (LG Pawl) | 53 | Crankshaft |
| 19 | Line Guide Carrier Screw | 54 | Screw-Crankshaft Retainer |
| 20 | Worm Shaft Guide | 55 | Trip/Ratchet |
| 21 | Worm Shaft | 56 | Washer |
| 22 | Level Wind Gear | 57 | Gear-LW Idler |
| 23 | E-Ring (LW Gear) | 58 | Drive Gear |
| 24 | Spool Assembly | 59 | Drag Disc |
| 25 | Bearing | 60 | Drag Washer |
| 26 | Frame | 61 | Clutch Sleeve |
| 27 | Anti-Reverse Pawl | 62 | Bearing-Crankshaft Top |
| 28 | Kick Lever | 63 | Washer-Crankshaft |
| 29 | E-Ring (Kick Lever) | 64 | Spring O.Washer |
| 30 | Spring-Kick Lever | 65 | Drag Star |
| 31 | Pinion Gear | 66 | Handle Washer |
| 32 | Pinion Yoke | 67 | Handle Assembly |
| 33 | Spring-Pinion Yoke | 68 | Handle Nut |
| 34 | Right Side Cover | 69 | Handle Nut Cap |
| 35 | Screw (R/S Cover) | 70 | Handle Nut Cap Screw |

11