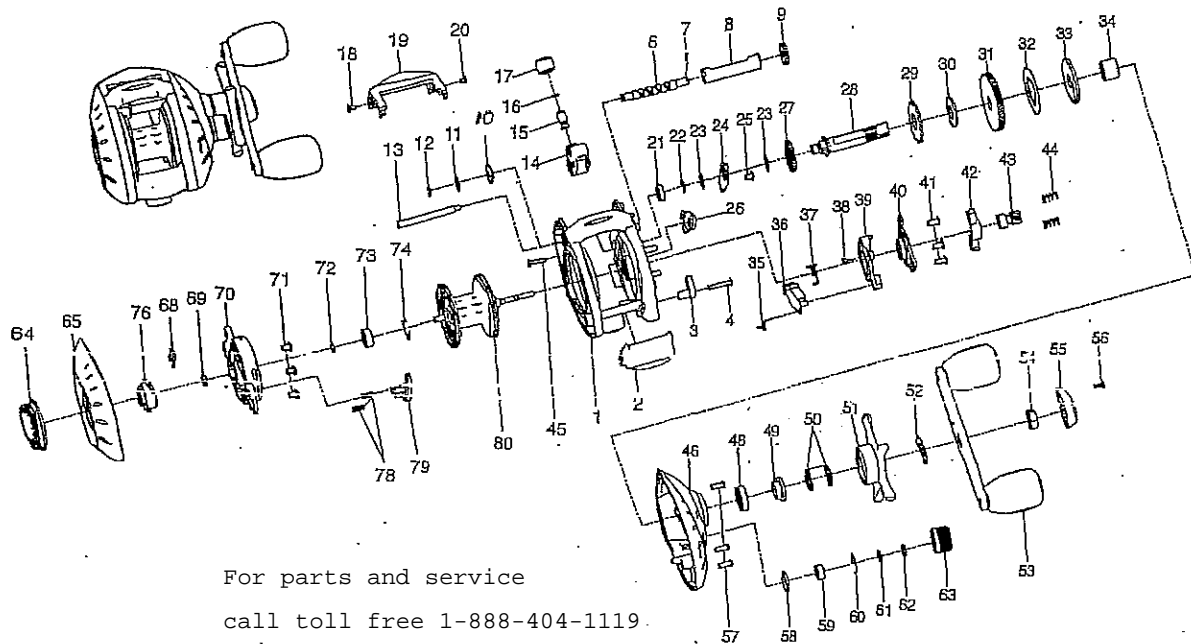


Shakespeare® Baitcast Reel Parts List

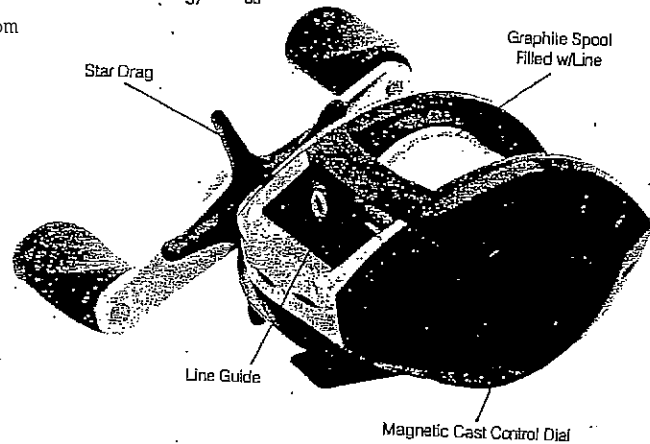
For parts and service
call toll free 1-888-404-1119

www.mikesreelrepair.com

XTLP • ALPHA310BLp
Newer



For parts and service
call toll free 1-888-404-1119
www.mikesreelrepair.com



Part #	Part Name
1	FRAME
2	CLUTCH BAR
3	CLUTCH LINK
4	CLUTCH BAR SCREW
6	WORM SHAFT
7	WORM SHAFT PIN
8	LINE GUIDE PIPE
9	IDLER(S)
10	WORM SHAFT BUSHING
11	WORM SHAFT WASHER
12	E-RING
13	PILLAR
14	LINE GUIDE ASSEMBLY
15	LINE GUIDE PAWL
16	SPACER
17	PAWL CAP
18	FRONT COVER SCREW-A
19	FRONT COVER
20	FRONT COVER SCREW-B
21	BUSHING
22	E-RING
23	IDLER(L) WASHER
24	BEARING PLATE
25	BEARING PLATE SCREW
26	STOPPER ASSEMBLY
27	IDLER(L)
28	CRANK SHAFT
29	RATCHET
30	RATCHET WASHER
31	DRIVE GEAR
32	DRAG WASHER(B)
33	DRAG WASHER(D)
34	O.W.C. SLEEVE
35	RETURN PAWL SPRING
36	RETURN PAWL
37	CLUTCH SPRING
38	CLUTCH SPRING BUSHING
39	CLUTCH CAM
40	CAM PLATE
41	CAM PLATE SCREW
42	PINION YOKE ASSEMBLY
43	PINION GEAR
44	PINION YOKE SPRING(2)
45	R-COVER SCREW
46	RIGHT SIDE COVER
48	BUSHING
49	BUSHING
50	DRAG SPRING WASHER
51	STAR DRAG
52	LEAF SPRING
53	HANDLE ASSEMBLY
54	HANDLE NUT
55	HANDLE NUT CAP
56	HANDLE NUT CAP SCREW

57	R-COVER SCREW(B)
58	O-RING
59	BUSHING
60	BEARING RETAINER
61	SPOOL SPACER(B)
62	TENSION WASHER
63	CAST CONTROL CAP
64	MAGNET CONTROL DIAL
65	LEFT SIDE COVER ASSEMBLY
68	LOCKING SPRING
69	O-RING
70	SPOOL COVER
71	SPOOL COVER SCREW-A (3)
72	SPOOL SPACER
73	BUSHING
74	BEARING RETAINER
76	SLIDE CAM
78	MAGNET HOLDER SPRING(2)
79	MAGNET HOLDER ASSEMBLY
80	SPOOL ASSEMBLY
69	Sub Silver

7