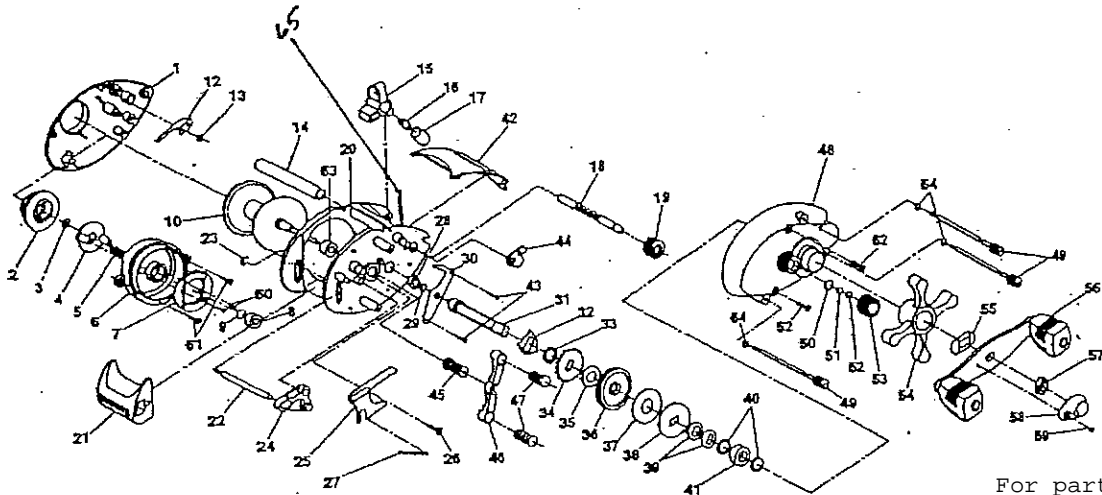


For parts and service
 call toll free 1-888-404-1119
 www.mikesreelrepair.com

ALPHA 310
 LP

SHAKESPEARE ***ALPHA 310/312



For parts and service
 call toll free 1-888-404-1119
 www.mikesreelrepair.com

1. Left Side Cover
2. Control Dial
3. Dial Friction Ring
4. Dial Base
5. Dial Base Spring
6. Spool Cover
7. Magnet Plate Assembly
8. Spool Bushing
9. Spool Shim
10. Spool
12. Click Spring
13. Click Washer
14. Carrier Guide
15. Line Guide Assembly
16. Line Guide Pawl
17. Pawl Cover
18. Shuttle Screw
19. Shuttle Gear
20. Frame
21. Thumb Lever
22. Thumb Lever Stem
23. Retaining Ring 1145278
24. Release Crank
25. Release Slider
26. Slider Screw
27. Release Spring
28. Bushing
29. Retaining Ring 1145286
30. Stem Retainer
31. Crank Stem
32. Kick Washer
33. Ratchet Washer

34. Ratchet
35. Friction Washer
36. Drive Gear
37. Fiber Washer
38. Drag Washer
39. Spring D Washer
40. Spacer
41. Ball Bearing 1145073
42. Hood
43. Retainer Screw
44. A/R Pawl Assembly
45. Pinion Assembly
46. Pinion Yoke
47. Yoke Spring
48. Right Side Cover
49. Thumb Screw
50. O-Ring
51. Tension Knob Washer
52. Rubber Washer 1146820
53. Tension Knob
54. Star Drag
55. Crank Spring Washer
56. Crank Assembly
57. Crank Nut 1145790
58. Lock Cap
59. Lock Cap Screw
60. Plate Screw
61. Spool Cover Screw
62. Cover Screw
63. Ball Bearing Bushing
64. Thumb Scr Retainer
65. Spring

NOTE: #'s 1, 12, & 13 is one unit

