

NEW FOR 2000/

# Alpha®

## 110 Baitcast Reel

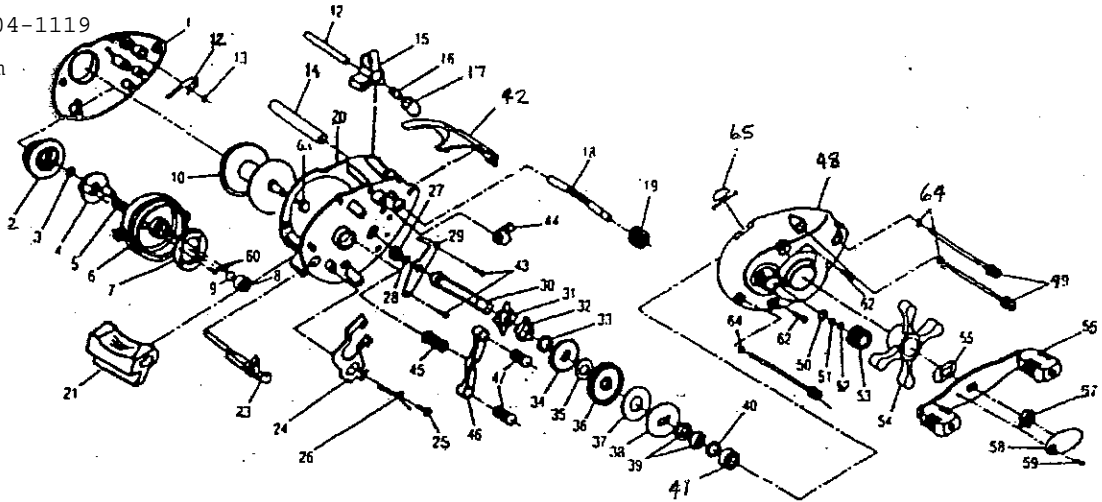
ALPHA 110 LP

Use this parts list for ordering replacement parts for your Alpha 110 Baitcast Reel.

For parts and service

call toll free 1-888-404-1119

www.mikesreelrepair.com



For parts and service

call toll free 1-888-404-1119

www.mikesreelrepair.com

**Part # Part Name**

- 1 Left Side Cover
- 2 Control Dial
- 3 Dial Friction Ring
- 4 Dial Base
- 5 Dial Base Spring
- 6 Spool Cover
- 7 Magnet Plate Assembly
- 8 Spool Bushing
- 9 Spool Shim
- 10 Spool
- 12 Click Spring
- 13 Click Washer
- 14 Carrier Guide
- 15 Line Guide Assembly
- 16 Line Guide Pawl
- 17 Pawl Cover
- 18 Shuttle Screw
- 19 Shuttle Gear
- 20 Frame
- 21 Thumb Lever
- 23 Release Crank
- 24 Release Slider
- 25 Slider Screw
- 26 Release Spring
- 27 Bushing
- 28 Retaining Ring
- 29 Crank Shaft Retainer
- 30 Crank Shaft
- 31 Star Trip Latch
- 32 Ring Trip Latch
- 33 Ratchet Washer
- 34 Ratchet

**Part # Part Name**

- 35 Friction Washer
- 36 Drive Gear
- 37 Fiber Washer
- 38 Drag Washer
- 39 Spring D Washer
- 40 Spacer
- 41 Ball Bearing
- 42 Hood
- 43 Retainer Screw
- 44 Anti-Reverse Pawl Assembly
- 45 Pinion Assembly
- 46 Pinion Yoke
- 47 Yoke Spring
- 48 Right Side Cover
- 49 Thumb Screw
- 50 O-Ring
- 51 Tension Knob Washer
- 52 Rubber Washer
- 53 Tension Knob
- 54 Star Drag
- 55 Handle Spring Washer
- 56 Handle Assembly
- 57 Handle Nut
- 58 Lock Cap
- 59 Lock Cap Screw
- 60 Plate Screw
- 61 Spool Cover Screw
- 62 Cover Screw
- 63 Bushing
- 64 Thumb Screw O-Ring
- 65 Flipping Switch

TENSION KNOB ASSY — 1145228

4