

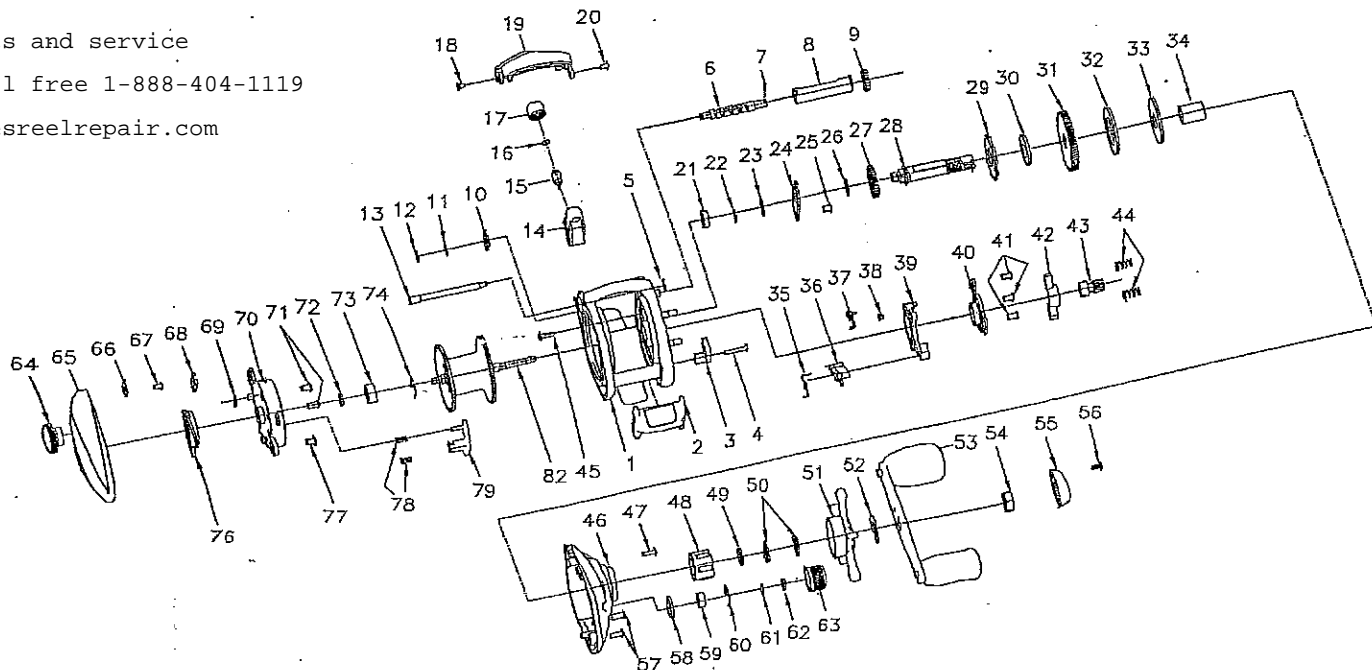
Shakespeare®

SINCE 1897

AGILITY™

AGILITYLP

For parts and service
call toll free 1-888-404-1119
www.mikesreelrepair.com



Part #	Part Name	
1	FRAME	
2	CLUTCH BAR	
3	CLUTCH LINK	
4	CLUTCH BAR SCREW	
5	E-RING	
6	WORM SHAFT	
7	WORM SHAFT PIN	1145950
8	LINE GUIDE PIPE	
9	IDLER(S)	
10	WORM SHAFT BUSHING	
11	WORM SHAFT WASHER	
12	E-RING	1145278
13	PILLAR	
14	LINE GUIDE ASSEMBLY	
15	LINE GUIDE PAWL	
16	SPACER	
17	PAWL CAP	
18	FRONT COVER SCREW-A	
19	FRONT COVER	
20	FRONT COVER SCREW-B	
21	BALL BEARING	1145089
22	E-RING	1145283
23	IDLER(L) WASHER	
24	BEARING PLATE	
25	BEARING PLATE SCREW	
26	IDLER(L) WASHER	
27	IDLER(L)	
28	CRANK SHAFT	
29	RATCHET	
30	RATCHET WASHER	
31	DRIVE GEAR	
32	DRAG WASHER(B)	
33	DRAG WASHER(D)	
34	O.W.C. SLEEVE	
35	RETURN PAWL SPRING	
36	RETURN PAWL	
37	CLUTCH SPRING	
38	CLUTCH SPRING BUSHING	1145288
39	CLUTCH CAM	
40	CAM PLATE	
41	CAM PLATE SCREW(3)	
42	PINION YOKE ASSEMBLY	
43	PINION GEAR	
44	PINION YOKE SPRING(2)	1146751
45	R-COVER SCREW	
46	RIGHT SIDE COVER	
47	R-COVER SCREW(A)	
48	ONE WAY CLUTCH	1145087
49	SPACER	
50	DRAG SPRING WASHER(2)	
51	STAR DRAG	
52	LEAF SPRING	1146859
53	HANDLE ASSEMBLY	
54	HANDLE NUT	
55	HANDLE NUT CAP	
56	HANDLE NUT CAP SCREW	
57	R-COVER SCREW(R)	
58	O-RING	1146071
59	BUSHING	
60	BEARING RETAINER	1146066
61	SPOOL SPACER(B)	
62	TENSION WASHER	
63	CAST CONTROL CAP	
64	MAGNET CONTROL DIAL	
65	LEFT SIDE COVER ASSEMBLY	
66	MAGNET CONTROL DIAL CLIP	
67	MAGNET CONTROL DIAL CLIP SCREW	
68	LOCKING SPRING	
69	O-RING	
70	SPOOL COVER	
71	SPOOL COVER SCREW-A(2)	
72	SPOOL SPACER	
73	BALL BEARING	1145088
74	BEARING RETAINER	1146728
76	SLIDE CAM	
77	SPOOL COVER SCREW-B	
78	MAGNET HOLDER SPRING(2)	
79	MAGNET HOLDER ASSEMBLY	
82	SPOOL ASSEMBLY	

For parts and service
call toll free 1-888-404-1119
www.mikesreelrepair.com

1