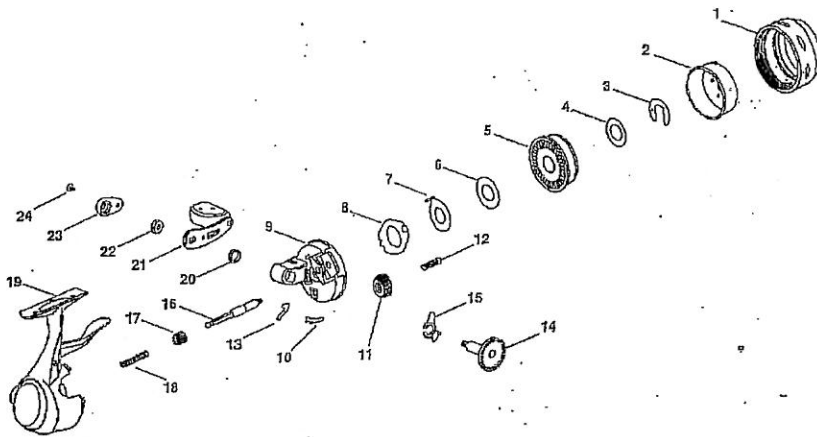


SYNERGY STEEL 6U

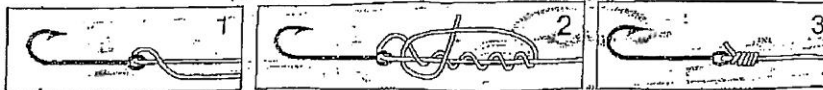
Shakespeare® SYNERGY® STEEL™ 6U Parts List Black

Use this parts list for ordering replacement parts for your Shakespeare Reel. When ordering, please specify which reel you own and the model number printed on the reel body.

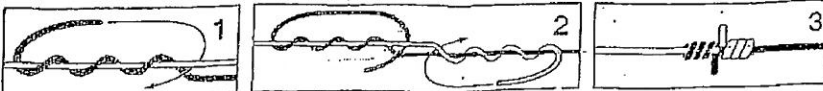


PART#	PART NAME		
1	FRONT CONE ASSEMBLY	14	DRIVE GEAR
2	P.U.H. ASSEMBLY - 1145746	15	A-R LEVER
3	SPOOL RETAINING WASHER	16	MAIN SHAFT
4	FRICTION WASHER	17	PINION
5	SPOOL	18	MAIN SHAFT SPRING
6	FRICTION WASHER	19	REAR COVER ASSEMBLY
7	REAR DRAG WASHER	20	BUSHING
8	DRAG PLATE	21	CRANK ARM ASSEMBLY - 1145498
9	FRAME	22	CRANK NUT
10	SPOOL CLICK SPRING	23	CRANK NUT COVER
11	DRAG KNOB	24	SCREW - 1146178
12	DRAG SCREW		
13	ANTI-REVERSE PAWL		

Fishermen's Knots



Improved Clinch Knot - For tying on hooks, baits and swivels.



Blood Knot - For joining lines, leaders of same diameter.