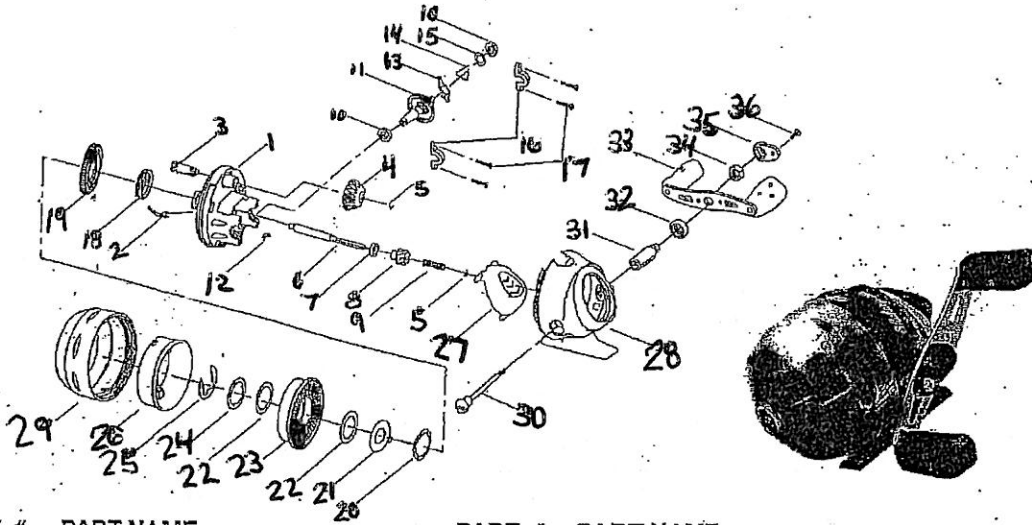


SYNERGY STEEL 10

Shakespeare SYNERGY[®] STEEL 10 Parts List

Use this parts list for ordering replacement parts for your Shakespeare Reel. When ordering, please specify which reel you own and the model number printed on the reel body.



PART #	PART NAME	PART #	PART NAME
1	FRAME	19	DRAG GEAR
2	SPOOL CLICK SPRING	20	DRAG SPRING WASHER
3	DRAG STEM	21	DRAG WASHER
4	DRAG KNOB	22	FRICTION WASHER
5	"E" WASHER - 1145278	23	SPOOL ASSEMBLY
6	MAIN SHAFT	24	DRAG WASHER
7	PINION BUSHING - 1145101	25	SPOOL "E" WASHER
8	PINION - 1145997	26	P.U.H. ASSEMBLY - 1145742
9	MAIN SHAFT SPRING - 1146783	27	THUMB LEVER
10	DRIVE GEAR BUSHING - 1145076	28	BODY FRAME ASSEMBLY
11	DRIVE GEAR - 1145680	29	FRONT CONE ASSEMBLY
12	ANTI-REVERSE PAWL	30	CRANK HANDLE SCREW
13	ANTI-REVERSE LEVER	31	HANDLE STAND
14	ANTI-REVERSE SPRING	32	CRANK SPACER
15	WASHER	33	CRANK ARM ASSEMBLY
16	BUSHING RETAIN	34	CRANK NUT
17	RETAINING SCREW	35	CRANK NUT COVER
18	DRAG GEAR BASE	36	COVER SCREW

REEL SPECIFICATIONS

Model #	Line Capacity	Gear Ratio	Weight	Class
Synergy 10	75 Yds/10# Line	3:2:1	8.5 oz.	Freshwater
Synergy 15	80 Yds/15# Line	3:2:1	12.2 oz.	Freshwater