

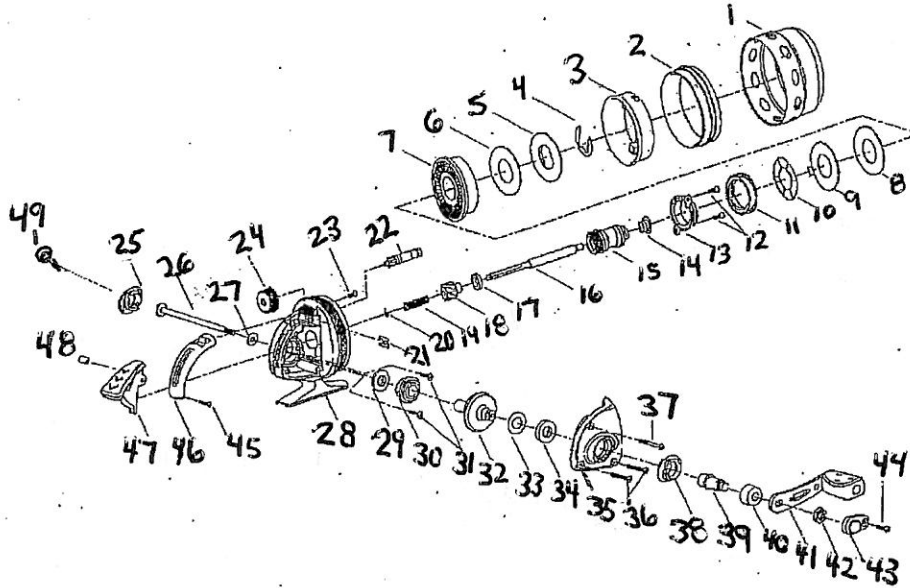
Synergy Classic 2002



SYCLASSIC2002

Older

SPINCASTING REEL



Part #	Description	Part #	Description
1	FRONT CONE ASSEMBLY	25	SIDE CAP
2	POSITIVE PICK UP RING	26	CRANK MTB SCREW
3	PICK UP HOUSING ASSEMBLY-1145742	27	CRANK MTB WASHER
4	SPOOL "E" WASHER	28	BODY
5	"D" DRAG WASHER	29	BODY BUSHING
6	TOP DRAG WASHER	30	O.W.C. BEARING
7	SPOOL ASSEMBLY	31	O.W.C. RETAINER SCREW
8	BOTTOM DRAG WASHER	32	DRIVE GEAR
9	EARED DRAG WASHER	33	DRIVE GEAR WASHER-1146817
10	DRAG SPRING WASHER	34	GEAR BUSHING
11	DRAG GEAR	35	BODY COVER
12	DRAG GEAR BASE SCREW	36	COVER SCREW
13	DRAG GEAR BASE	37	THUMB BUTTON SCREW
14	PICK UP PIN CAM	38	HANDLE CAP
15	FRAME SHAFT	39	CRANK STAND
16	MAIN SHAFT	40	CRANK CAP
17	PINION GEAR BEARING-1145101	41	CRANK ARM ASSEMBLY
18	PINION GEAR	42	CRANK NUT
19	MAIN SHAFT SPRING	43	CRANK NUT COVER
20	"E" WASHER-1145278	44	SCREW-1146178
21	RETAINER CLIP	45	LOWER REAR COVER SCREW
22	DRAG KNOB STEM	46	REAR COVER
23	TOP REAR COVER SCREW	47	THUMB BUTTON
24	DRAG KNOB	48	THUMB BUSHING
		49	Side Cap Screws