

Synergy Classic 2002

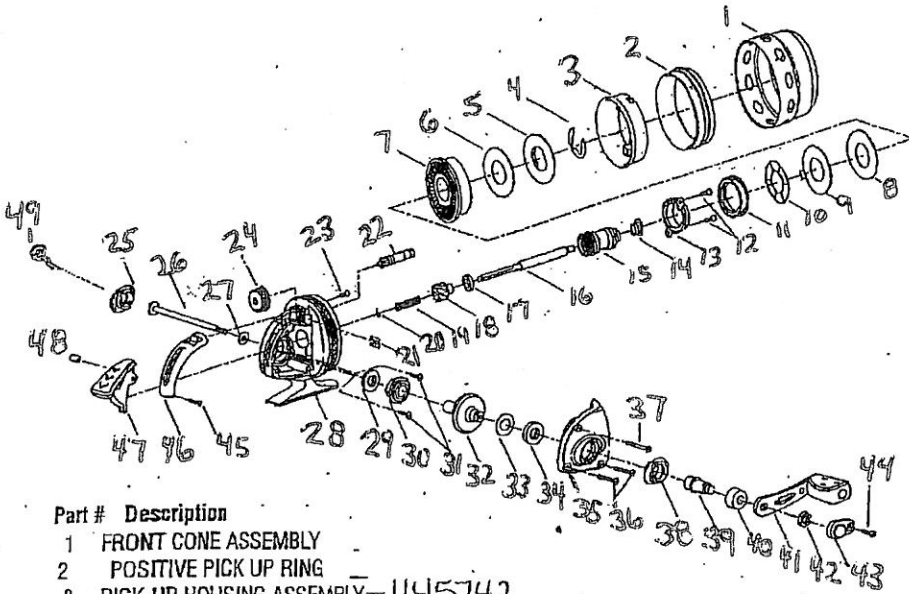
SYCLASSIC2002



Newer

Synergy Classic 2002 Spincasting Reel

2007 PEWTER
2008 GREY



Part # Description

- | | | |
|----|------------------------------------|--|
| 1 | FRONT CONE ASSEMBLY | |
| 2 | POSITIVE PICK UP RING | |
| 3 | PICK UP HOUSING ASSEMBLY - 1145742 | |
| 4 | SPOOL 'E' WASHER | |
| 5 | 'D' DRAG WASHER | |
| 6 | TOP DRAG WASHER | |
| 7 | SPOOL ASSEMBLY | |
| 8 | BOTTOM DRAG WASHER | |
| 9 | EARED DRAG WASHER | |
| 10 | DRAG SPRING WASHER | |
| 11 | DRAG GEAR | |
| 12 | DRAG GEAR BASE SCREW | |
| 13 | DRAG GEAR BASE | |
| 14 | PICK UP PIN CAM | |
| 15 | FRAME SHAFT | |
| 16 | MAIN SHAFT | |
| 17 | PINION GEAR BEARING - 1145101 | |
| 18 | PINION GEAR - 1145997 | |
| 19 | MAIN SHAFT SPRING | |
| 20 | 'E' WASHER - 1145278 | |
| 21 | RETAINER CLIP | |
| 22 | DRAG KNOB STEM | |
| 23 | TOP REAR COVER SCREW | |
| 24 | DRAG KNOB | |
| 25 | SIDE CAP | |
| 26 | CRANK MTG SCREW | |
| 27 | CRANK MTG WASHER | |
| 28 | BODY | |
| 29 | BODY BUSHING | |
| 30 | O.W.C. BEARING | |
| 31 | O.W.C. RETAINER SCREW | |
| 32 | DRIVE GEAR | |
| 33 | DRIVE GEAR WASHER - 1146817 | |
| 34 | GEAR BUSHING | |
| 35 | BODY COVER | |
| 36 | COVER SCREW - 1146212 | |
| 37 | THUMB BUTTON SCREW | |
| 38 | HANDLE CAP | |
| 39 | CRANK STAND | |
| 40 | CRANK CAP | |
| 41 | CRANK ARM ASSEMBLY | |
| 42 | CRANK NUT | |
| 43 | CRANK NUT COVER - 1145428 | |
| 44 | SCREW | |
| 45 | LOWER REAR COVER SCREW | |
| 46 | REAR COVER | |
| 47 | THUMB BUTTON | |
| 48 | THUMB BUSHING | |
| 49 | Screw | |