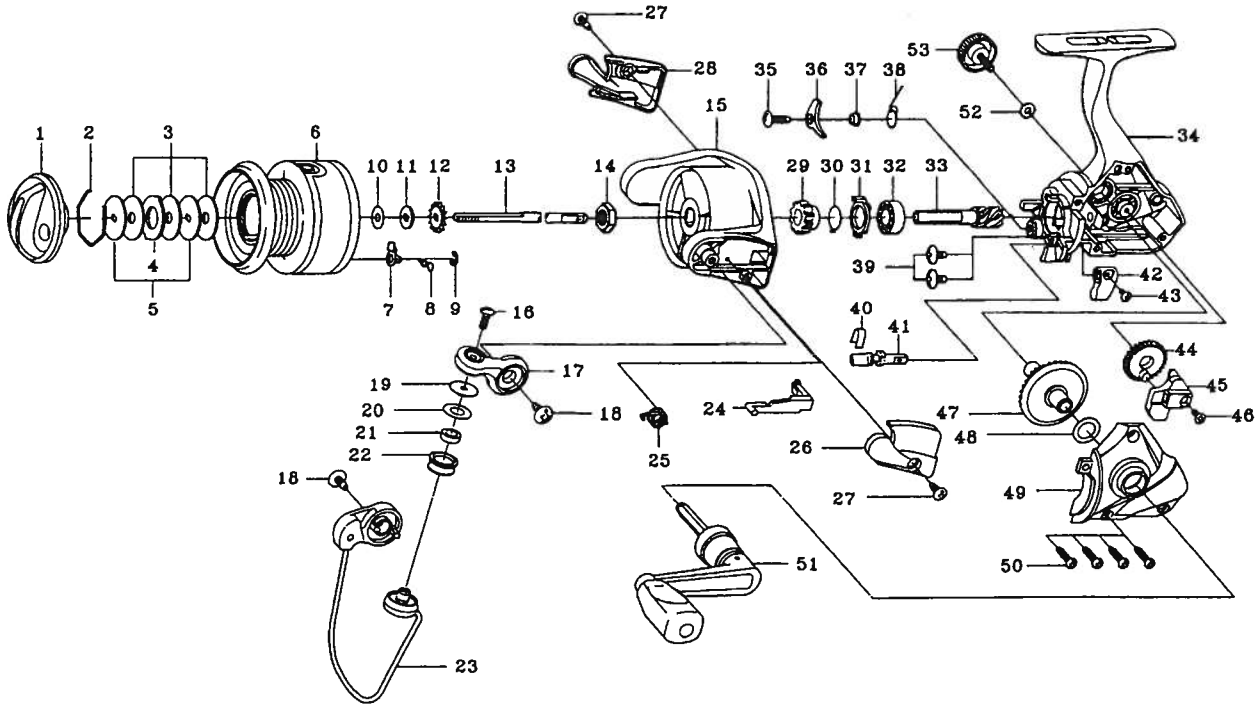


SPINNING REEL

SPINSTAR-X2500C



| Key No. | Parts No. | Parts Name |
|---------|-----------|-------------------------|
| 2-9 | G04-9801 | SPOOL |
| 1 | F32-2107 | DRAG KNOB |
| 2 | 171-7701 | DRAG WASHER RET |
| 3 | E13-6003 | DRAG WASHER |
| 4 | 373-3603 | EARED WASHER |
| 5 | E46-7201 | KEY WASHER |
| 7 | B07-5304 | CLICK PAWL |
| 8 | E40-3101 | CLICK SPRING |
| 9 | 320-5901 | CLICK RET |
| 10 | E39-8000 | SPOOL WASHER A |
| 11 | E46-7101 | SPOOL WASHER B |
| 12 | 270-6501 | CLICK GEAR |
| 13 | F99-0601 | MAIN SHAFT |
| 14 | 341-9201 | ROTOR NUT |
| 15 | F31-1407 | ROTOR |
| 16 | B67-9304 | LINE ROLLER SCREW |
| 17 | F61-9203 | BAIL ARM |
| 18 | B84-2102 | BAIL HOLDER SCREW |
| 19 | F44-6302 | ROLLER COLLAR |
| 20 | F44-6202 | LINE ROLLER WASHER |
| 21 | F47-3401 | LINE ROLLER BUSHING |
| 22 | F47-2402 | LINE ROLLER |
| 23 | F99-1602 | BAIL |
| 24 | E45-1601 | BAIL TRIP LEVER |
| 25 | F12-8901 | BAIL SPRING |
| 26 | F31-0327 | BAIL SPRING COVER |
| 27 | E36-4202 | BAIL HOLDER COVER SCREW |

| Key No. | Parts No. | Parts Name |
|---------|-----------|-------------------|
| 28 | F31-0407 | BAIL HOLDER COVER |
| 29 | F31-1502 | A/R RATCHET |
| 30 | F19-6301 | A/R PAWL SPRING B |
| 31 | F19-6201 | A/R COLLAR |
| 32 | L03-6601 | BALL BEARING |
| 33 | E51-9801 | PINION GEAR |
| 34 | G04-9601 | BODY |
| 35 | L00-1801 | A/R PAWL SCREW |
| 36 | F19-5301 | A/R PAWL |
| 37 | L01-4302 | A/R PAWL COLLAR |
| 38 | L00-1501 | A/R PAWL SPRING A |
| 39 | E03-7801 | BEARING RET SCREW |
| 40 | F19-5201 | A/R CAM SPRING |
| 41 | F98-9301 | A/R CAM |
| 42 | F98-9202 | A/R LEVER |
| 43 | F98-9401 | A/R LEVER SCREW |
| 44 | F67-7401 | OSC GEAR |
| 45 | F98-9601 | OSC SLIDER |
| 46 | 351-0315 | OSC SLIDER SCREW |
| 47 | F17-0001 | DRIVE GEAR |
| 48 | 373-7808 | DRIVE GEAR WASHER |
| 49 | F99-0802 | SIDE COVER |
| 50 | E15-8602 | SIDE COVER SCREW |
| 51 | G04-9701 | HANDLE |
| 52 | F02-0201 | HANDLE WASHER |
| 53 | B92-5012 | HANDLE SCREW |