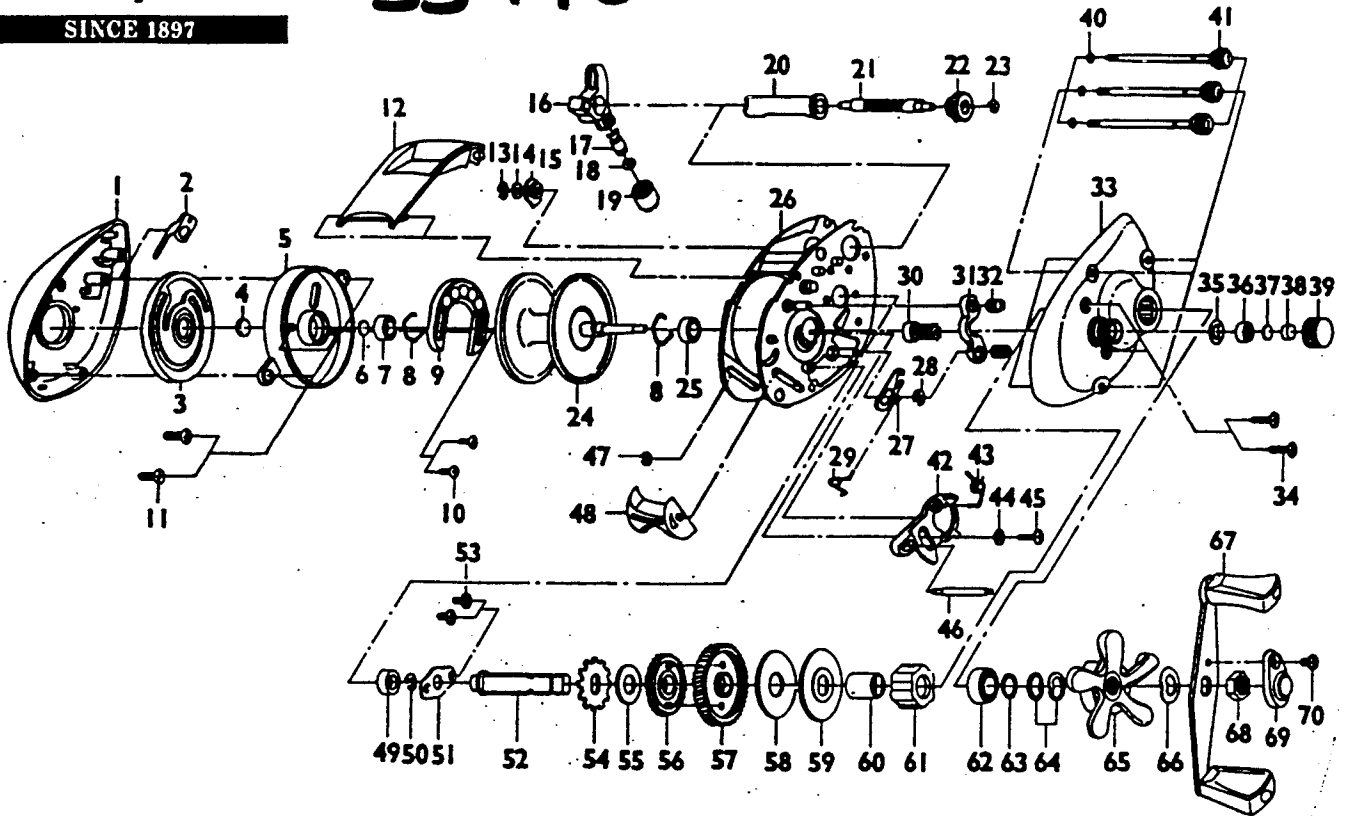


SS440



Key No.	Part No.	Description	Key No.	Part No.	Description
1	6K198601	Left Side Cover	36	6K176701	Bearing
2	6K198701	Clicker	37	6K164601	Washer-Spool Tension
3	6K199201	Magnet Control Dial	38	6K181101	Cushion Washer-Spool
4	6K181101	Cushion Washer	39	6K181201	Spool Tension Knob
5	6K198801	Spool Cover	40	6K176401	Ring-Thumb Screw Ret.
6	6K164601	Spool Tension Shim	41	6K176202	Thumb Screw
7	6K170601	Bearing	42	6K197001	Release Slider
8	6K170701	Clip Ring	43	6K196501	Spring-Release Slider
9	6K198901	Magnet Slider Assembly	44	6K161801	Washer-Release Slider
10	6K532501	Screw-Magnet Slider	45	6K184801	Screw-Release Slider
11	6K120202	Screw-Spool Cover	46	6K196901	Pin-Thumb Rest
12	6K197401	Hood	47	6B339801	E-Ring Pin
13	63205901	E-Ring (Worm Shaft)	48	6K196801	Thumb Rest
14	6K164403	Washer (Worm Shaft)	49	6K185401	Bearing-Crankshaft
15	6K172201	Worm Shaft Bushing	50	63201402	E-Ring-Crankshaft
16	6K196601	Line Guide Carrier	51	6K172701	Retainer-Crankshaft
17	6K172401	Line Guide Pawl	52	6K172601	Crankshaft
18	6K164402	Washer (L/G Pawl)	53	6K173001	Screw-Crankshaft Retainer
19	6K172502	Line Guide Carrier Screw	54	6K174401	Trip Ratchet
20	6K171601	Worm Shaft Guide	55	6K185201	Washer
21	6K172001	Worm Shaft	56	6K174601	Gear-L/W Idler
22	6K172101	Level Wind Gear	57	6K174701	Drive Gear
23	6B339801	E-Ring (L/W Gear)	58	6K174901	Drag Disc
24	6K178101	Spool Assembly	59	6K175001	Drag Washer
25	6K170601	Bearing	60	6K175201	Clutch Sleeve
26	6K196101	Frame	61	6K175301	Anti-Reverse Clutch
27	6K170801	Kick Lever	62	6K582201	Bearing-Crankshaft Top
28	63201402	E-Ring (Kick Lever)	63	6K177302	Washer-Crankshaft
29	6K171501	Spring-Kick Lever	64	6K160702	Spring D Washer
30	6K173901	Pinion Gear	65	6K197801	Drag Star
31	6K186301	Pinion Yoke	66	6K161401	Handle Washer
32	6K171001	Spring-Pinion Yoke	67	6K213101	Handle Assembly
33	6K197501	Right Side Cover	68	6K178303	Handle Nut
34	6K177202	Screw (R/S Cover)	69	6K162101	Handle Nut Cap
35	6K176501	Tension Knob Ring	70	63511801	Handle Nut Cap Screw