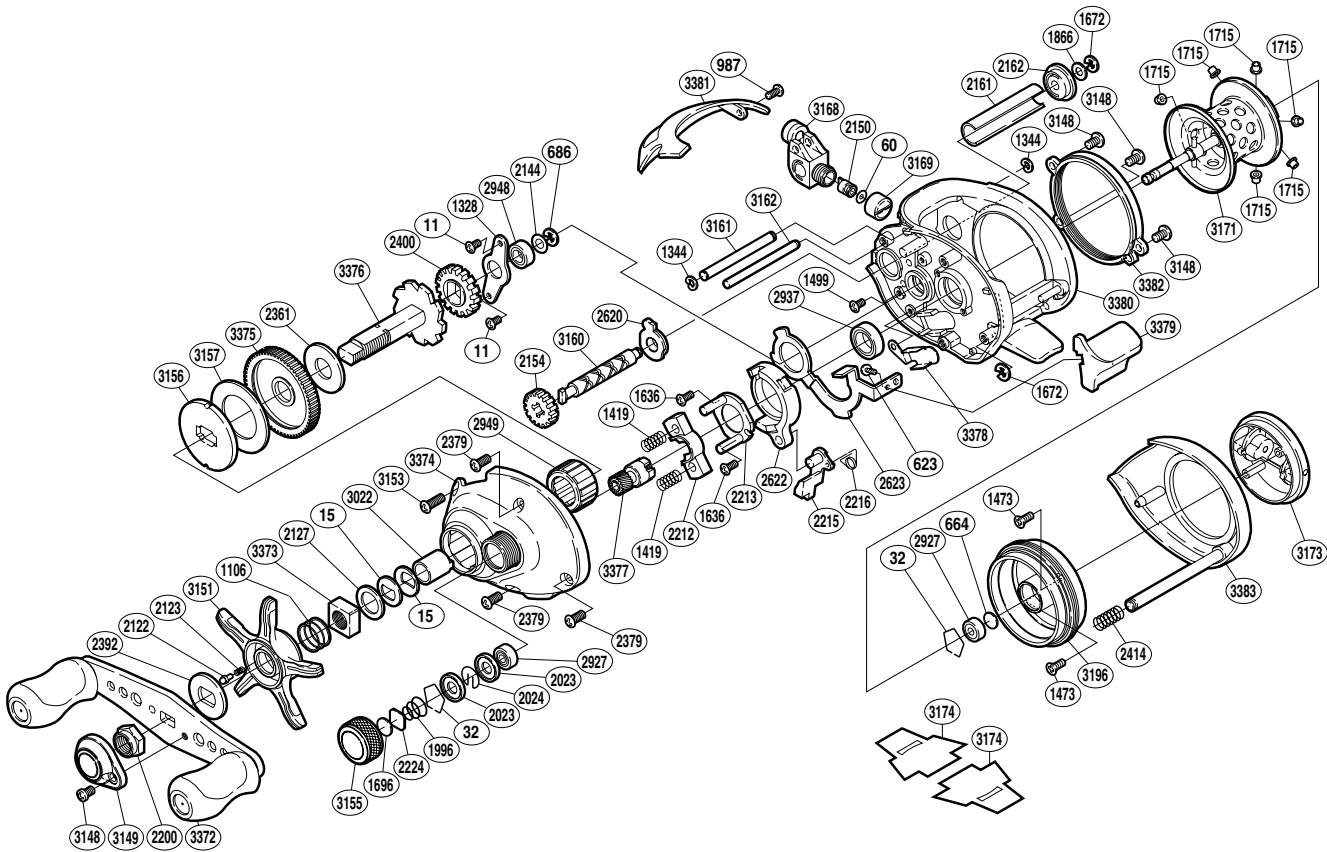


SHIMANO®

CHRONARCH A-RB

CH-51MG



(1RH291063U)

Part No.	Description	Part No.	Description	Part No.	Description
BNT0011	Screw	BNT2150	Line Guide Pawl	BNT3153	Screw
BNT0015	Drag Spring Washer	BNT2154	Idle Gear C	BNT3155	Cast Control Cap
BNT0032	Bearing Retainer	BNT2161	Level Wind Guard	BNT3156	Key Washer
BNT0060	Spacer	BNT2162	Worm Bushing B	BNT3157	Drag Washer C
BNT0623	Screw	BNT2200	Handle Nut	BNT3160	Worm Shaft
BNT0664	Spacer B	BNT2212	Yoke	BNT3161	Line Guard
BNT0686	E Lock	BNT2213	Clutch Cam Retainer	BNT3162	Stabilizer Bar
BNT0987	Screw	BNT2215	Clutch Pawl	BNT3168	Line Guide
BNT1106	Star Drag Spring	BNT2216	Clutch Pawl Spring	BNT3169	Pawl Cap
BNT1328	Drive Shaft Retainer	BNT2224	Spool Tension Spacer A	BNT3171	Spool Assembly
BNT1344	C Lock	BNT2361	Drag Washer A	BNT3173	Turnkey Dial
BNT1419	Yoke Spring	BNT2379	Screw	BNT3196	Brake Case
BNT1473	Screw	BNT2392	Star Drag Click Plate	BNT3372	Handle Assembly
BNT1499	Screw	BNT2400	Idle Gear A	BNT3373	Star Drag Nut
BNT1636	Screw	BNT2414	Side Plate Spring	BNT3374	Left Side Plate
BNT1672	E Lock	BNT2620	Worm Bushing A	BNT3375	Drive Gear
BNT1696	Cast Control Spacer B	BNT2622	Clutch Cam	BNT3376	Drive Shaft
BNT1715	Brake Collar (red)	BNT2623	Clutch Plate	BNT3377	Pinion Gear
BNT1866	Spacer	BNT2927	Ball Bearing	BNT3378	Clutch Guard
BNT1996	Spool Tension Spring	BNT2937	Ball Bearing	BNT3379	Quick-Fire II Clutch Bar
BNT2023	Spool Shaft Clip Holder	BNT2948	Ball Bearing	BNT3380	One-Piece Frame
BNT2024	Spool Shaft Clip	BNT2949	Roller Clutch Bearing	BNT3381	Thumb Rest
BNT2122	Click Pin	BNT3022	Roller Clutch Inner Tube	BNT3382	Right Side Frame Plate
BNT2123	Click Spring	BNT3148	Screw	BNT3383	Left Side Plate
BNT2127	Star Drag Spacer	BNT3149	Handle Nut Plate		
BNT2144	Washer	BNT3151	Star Drag	BNT3174	Reel Seat Spacer