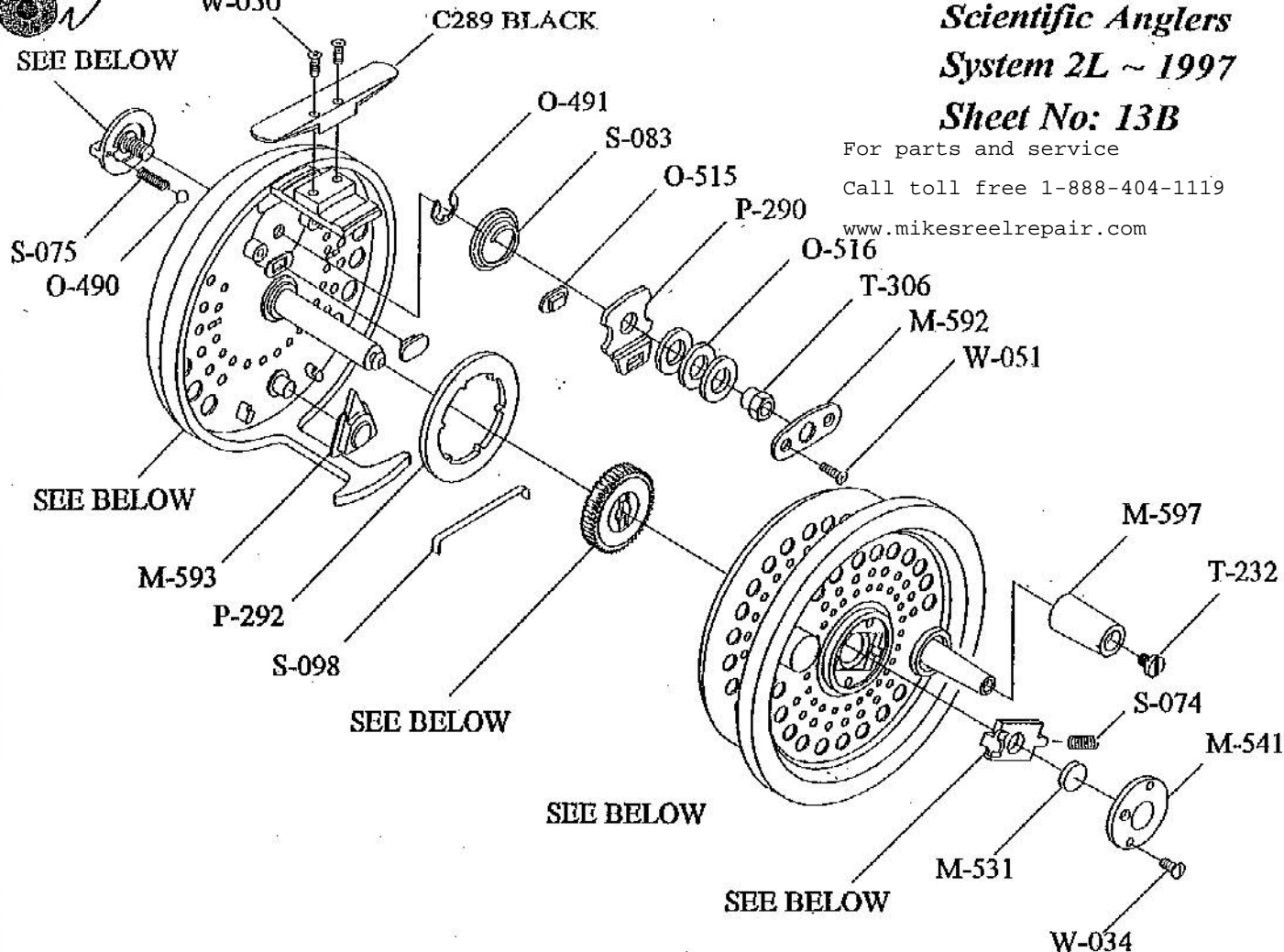


**Scientific Anglers
System 2L ~ 1997
Sheet No: 13B**

For parts and service
Call toll free 1-888-404-1119
www.mikesreelrepair.com



For parts and service
Call toll free 1-888-404-1119
www.mikesreelrepair.com

GEAR S/A	U-728
RATCHET PAWL	P-223
RATCHET PAWL HEAD	S-086
DRIVE GEAR BODY	M-590
DRIVE GEAR COVER	M-591
RATCHET WHEEL	T-345
RETAINER	O-548

DRAG KNOB S/A	U-567
DRAG KNOB INSERT	T-304

RELEASE LEVER S/A	U-568
RELEASE KNOB	M-519
RELEASE PLATE	P-224

BRAKE PLATE S/A	U-727
BRAKE PAD	O-515R
BRAKE PLATE	P-225 2c

MODEL	23	45	56	67	78	80
PROD.No.	409	400	401	402	403	404
BODY S/A	U780	U718	U719	U720	U721	U722
BODY	C495	C475	C476	C477	C478	C479
CENTRE SPINDLE	T487	T297	T298	T299	T358	T357
SPINDLE WASHER	W033	W033	W033	W033	W033	W033
SPOOL ASSY.	409SA	400SA	401SA	402SA	403SA	404SA
SPOOL S/A	U778	U583	U564	U585	U616	U617
SPOOL FRONT	C498	C309UP	C309UP	C309UP	C374UP	
SPOOL REAR	C497	C310	C311	C312	C375	C378
SPOOL BEARING	T488	T309	T310	T311	T358	T359
COUNTER WEIGHT	T407					