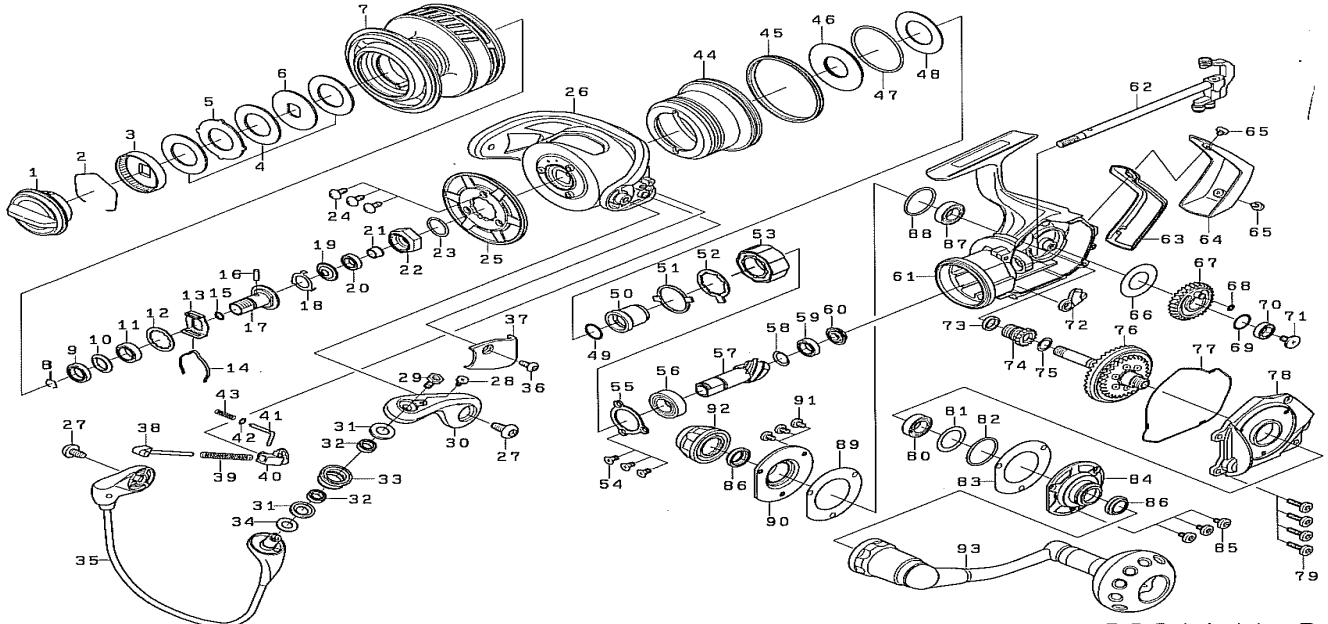


Please order by parts number, not key number  
 Veuillez indiquer le numéro de la pièce (Non "Key" No.)



# SALTIGA 3500H/4000H



3500H		4000H		3500H		4000H	
Key No.	Parts No.	Parts No.	Parts Name	Key No.	Parts No.	Parts No.	Parts Name
1	H62-4201	H62-4201	DRAG KNOB AS	48	H61-9201	H61-9201	WASHER
2	F71-0001	F71-0001	RING	49	H62-0101	H62-0101	O-RING
3	F89-5305	F89-5305	RATCHET	50	H61-9101	H61-9101	CLUTCH RING
4	H24-7202	H24-7202	WASHER	51	H69-0201	H69-0201	PLATE
5	G16-5903	G16-5903	WASHER	52	H62-4501	H62-4501	PLATE
6	F64-4702	F64-4702	WASHER	53	G31-4501	G31-4501	ONEWAY CLUTCH
7	H63-1701	H63-1501	SPOOL AS	54	E13-4508	E13-4508	SCREW
8	G52-5101	G52-5101	RING	55	G52-2901	G52-2901	PLATE
9	F58-2501	F58-2501	BALL BEARING	56	G52-2802	G52-2802	BALL BEARING
10	H62-2001	H62-2001	PACKING	57	H62-5101	H62-5101	PINION
11	G43-1004	G43-1004	BALL BEARING	58	G57-8501	G57-8501	SPRING WASHER
12	G90-3900	G90-3900	WASHER	59	G52-2702	G52-2702	BALL BEARING
13	G69-4001	G69-4001	CAP	60	H61-8001	H61-8001	COLLAR
14	H73-7101	H73-7101	LEAF SPRING	61	H61-6804	H61-6802	BODY AS
15	H62-1801	H62-1801	O-RING	62	H61-7701	H61-7701	OSCILLATING SLIDER
16	F64-3601	F64-3601	PIN	63	H61-9901	H61-9901	PACKING
17	H62-1701	H62-1701	SPOOL METAL	64	H62-0001	H62-0001	CAP
18	G52-4801	G52-4801	PLATE	65	G94-6802	G94-6802	SCREW
19	H62-1501	H62-1501	PACKING	66	H61-7301	H61-7301	WASHER
20	G21-2502	G21-2502	BALL BEARING	67	H61-7401	H61-7401	OSCILATE GEAR
21	H62-1301	H62-1301	COLLAR	68	B85-3101	B85-3101	O-RING
22	H62-1401	H62-1401	NUT	69	G52-2100	G52-2100	WASHER
23	G16-2401	G16-2401	O-RING	70	G46-7102	G46-7102	BALL BEARING
24	H41-7701	H41-7701	TRUSS HEAD TAPPIN	71	H27-2202	H27-2202	SCREW
25	H62-1601	H62-1601	COLLAR	72	H61-8601	H61-8601	STOPPER AS
26	H62-0201	H62-0201	ROTOR	73	H61-7601	H61-7601	RING
27	H50-3701	H50-3701	SCREW	74	H61-7501	H61-7501	GEAR
28	H63-8401	H63-8401	FILLISTERHEADTAPP	75	G16-3001	G16-3001	O-RING
29	H50-4701	H50-4701	SCREW	76	H62-5201	H62-5201	DRIVE GEAR AS
30	H62-0601	H62-0601	ARM LEVER	77	H61-8901	H61-8901	PACKING
31	G16-2001	G16-2001	PACKING	78	H61-8802	H61-8802	BODY COVER
32	G37-0905	G37-0905	BALL BEARING	79	H43-1001	H43-1001	SCREW
33	H62-1201	H62-1201	LINE ROLLER	80	G52-3401	G52-3401	BALL BEARING
34	E09-6500	E09-6500	WASHER	81	G52-9500	G52-9500	WASHER
35	H62-0801	H62-0801	BAIL AS	82	H61-7001	H61-7001	O-RING
36	H50-3901	H50-3901	SCREW	83	H61-7101	H61-7101	NAME PLATE
37	H62-0701	H62-0701	COVER(A)	84	H61-9001	H61-9001	BODY COVER(A)(L)
38	G01-7503	G01-7503	KICK ARM	85	H40-1101	H40-1101	SCREW
39	H73-6301	H73-6301	SPRING	86	H77-0901	H77-0901	PACKING
40	H62-0501	H62-0501	KICK GUIDE	87	G52-3401	G52-3401	BALL BEARING
41	H62-0301	H62-0301	SHAFT	88	H61-7001	H61-7001	O-RING
42	G68-5401	G68-5401	WASHER	89	H61-7101	H61-7101	NAME PLATE
43	H62-0401	H62-0401	SPRING	90	H61-7201	H61-7201	BODY COVER(A)(R)
44	H61-9701	H61-9701	NUT	91	H40-1101	H40-1101	SCREW
45	H61-9801	H61-9801	RING	92	H62-3001	H62-3001	CAP
46	H61-9301	H61-9301	MAGNET AS	93	H62-2102	H62-2102	HANDLE AS
47	H45-2801	H45-2801	O-RING				