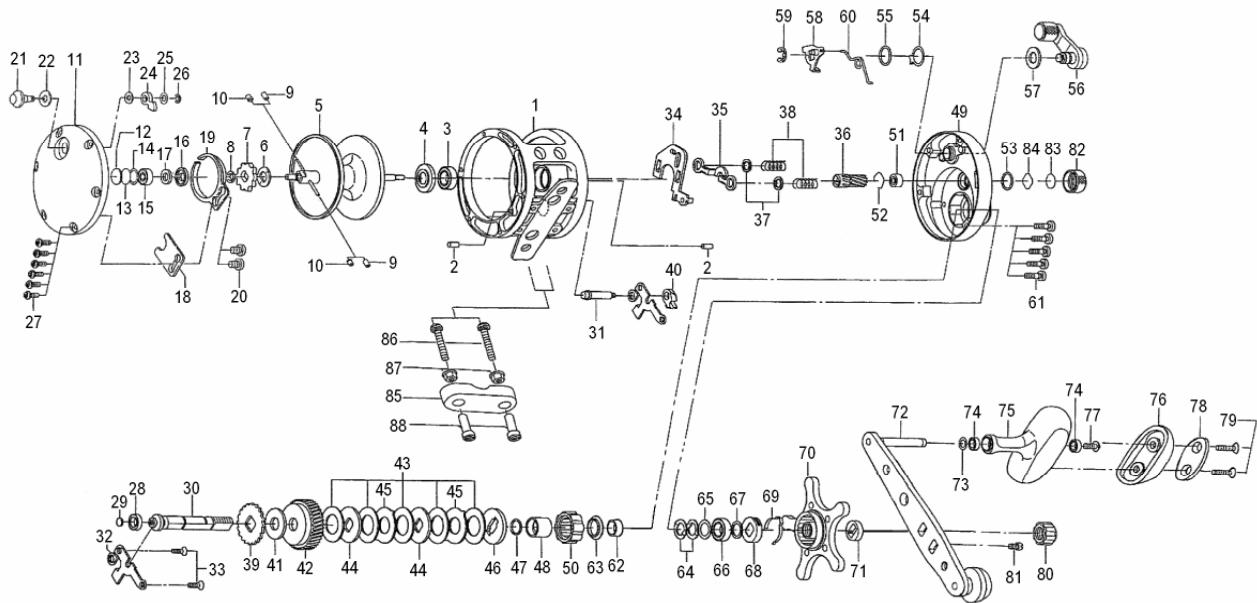


SALTIGA SURF 30



Key No.	Parts No.	Parts Name	Key No.	Parts No.	Parts Name
1	G33-1001	FRAME	45	F79-6103	EARED WASHER
2	G21-1701	PIN	46	G14-9601	KEY WASHER B
3	G42-7201	BALL BEARING A	47	F65-7801	O RING A
4	G21-1901	WATER SHIELD A	48	G29-0901	SPACING SLEEVE A
5	G87-8501	SPOOL	49	G87-9201	R/S PLT
6	E36-1402	CLICK SPRING WASHER	50	F55-2703	ROLLER CLUTCH
7	B21-6701	CLICK GEAR	51	E08-8003	BALL BEARING C
8	320-1402	CLICK RET	52	E21-9701	PINION RET
9	B35-2701	BRAKE COLLAR A	53	171-5201	O RING B
10	B35-2801	BRAKE COLLAR B	54	G21-5301	CLUTCH CAM WASHER
11	G87-8901	L/S PLT	55	171-5201	O RING C
12	G27-6300	BEARING WASHER A	56	G65-8201	CLUTCH LEVER
13	G21-2401	BEARING WASHER B	57	G15-7001	CLUTCH LEVER WASHER
14	F95-6702	BEARING WASHER C	58	G21-6401	CLUTCH CAM
15	G42-7701	BALL BEARING B	59	320-7601	CLUTCH CAM RET
16	E31-8001	BALL BEARING COLLAR	60	G30-1201	CLUTCH CAM SPRING
17	E32-6601	BEARING WASHER D	61	G33-0601	R/S PLT SCREW
18	E36-1201	CLICK SPRING RET	62	G21-6901	COLLAR
19	160-7922	CLICK SPRING	63	G21-7001	WATER SHIELD B
20	G45-9201	CLICK SPRING SCREW	64	150-8901	SPRING WASHER
21	G87-9001	CLICK BUTTON	65	373-7812	HANDLE BEARING WASHER A
22	375-9301	CLICK BUTTON WASHER A	66	F05-5502	BALL BEARING D
23	375-1101	CLICK BUTTON WASHER B	67	F36-6801	HANDLE BEARING WASHER B
24	030-6612	CLICK PAWL	68	G21-7101	CLICK LEAF SPRING HOLDER
25	373-1602	CLICK PAWL WASHER A	69	F97-7801	CLICK LEAF SPRING B
26	320-1402	CLICK PAWL RET	70	G21-7201	STAR DRAG
27	G04-0816	L/S PLT SCREW	71	G21-7601	SPACING SLEEVE B
28	G33-0301	BUSHING	72	G87-9501	HANDLE
29	F57-5601	DRIVE SHAFT WASHER A	73	375-3000	HANDLE KNOB WASHER
30	G21-2601	DRIVE SHAFT	74	F05-5601	BALL BEARING E
31	G21-2701	DRIVE SHAFT PIN	75	G42-3103	HANDLE KNOB
32	G21-2801	DRIVE SHAFT RET	76	G42-3203	HANDLE KNOB COVER
33	G21-2901	DRIVE SHAFT RET SCREW	77	E45-4003	HANDLE KNOB SCREW
34	G21-3202	YOKE PLT	78	G42-3310	HANDLE KNOB CAP
35	G21-3601	YOKE	79	G47-6201	HANDLE KNOB CAP SCREW
36	G25-8901	PINION GEAR	80	G22-0301	HANDLE NUT
37	E03-7706	YOKE WASHER	81	G21-8201	HANDLE NUT SCREW
38	F93-5201	YOKE SPRING	82	G21-8301	CAST CONTROL CAP
39	G21-3902	A/R RATCHET	83	B17-5503	RUBBER WASHER
40	E48-9001	A/R PAWL	84	B17-5401	SPOOL ADJ CAP METAL
41	G21-4101	DRIVE SHAFT WASHER B	85	G35-6401	ROD CLAMP
42	G87-9101	DRIVE GEAR	86	F18-7601	ROD CLAMP SCREW
43	G71-1101	DRAG WASHER	87	F18-7801	ROD BRACE NUT
44	F79-6302	KEY WASHER A	88	F18-7701	CLAMP NUT