

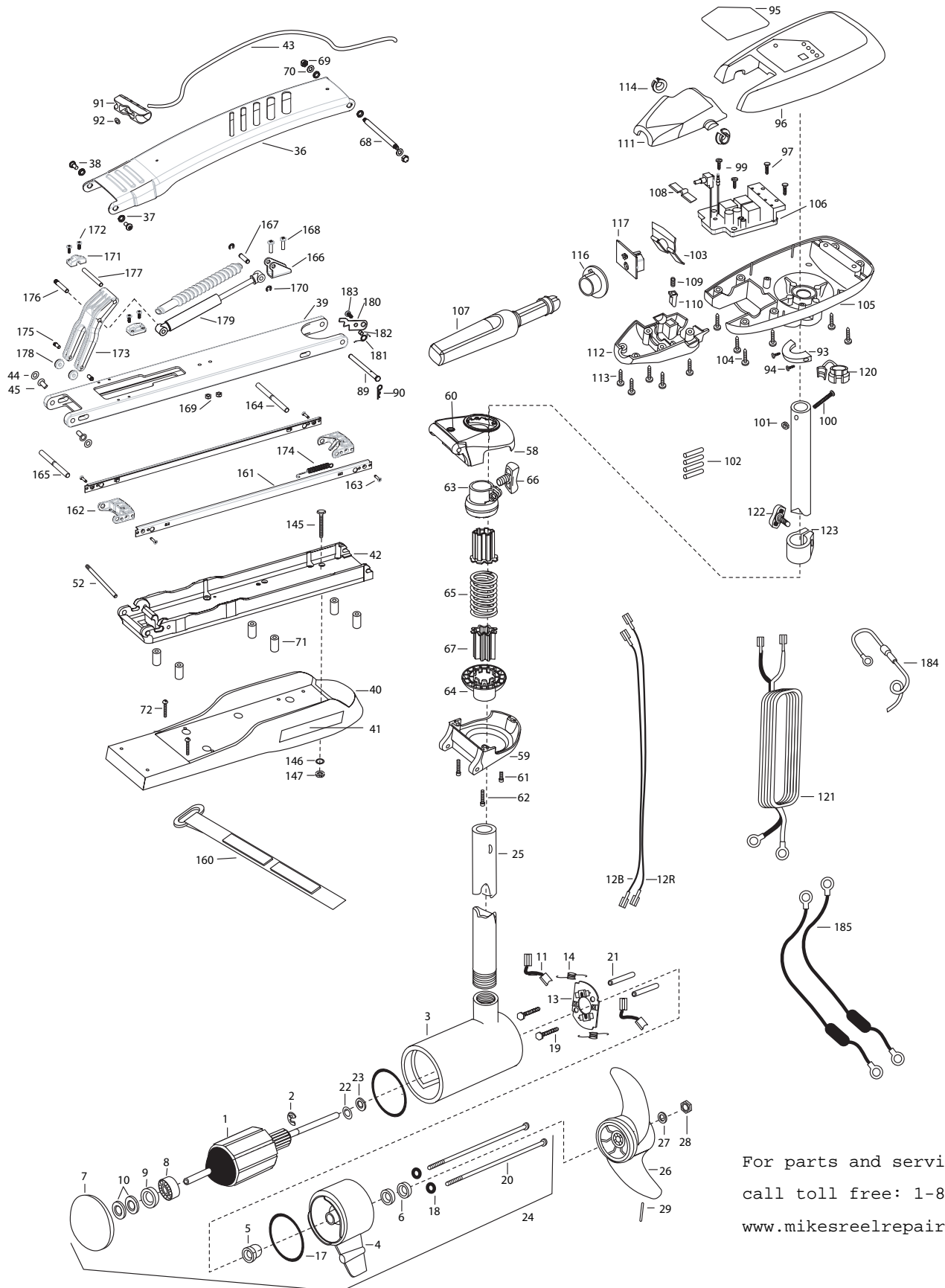
RT PRO 101
101 lbs Thrust
36 volt 46 amps
52" & 62" SHAFT

for use with "AH" serial numbers
3-year warranty from the date of purchase

For parts and service

call toll free: 1-888-404-1119

www.mikesreelrepair.com



For parts and service
call toll free: 1-888-404-1119
www.mikesreelrepair.com

1	2-100-216	ARMATURE ASSEMBLY 36V 4"	58	2772318	BRACKET BASE TOP/EYELET ASSEMBLY	*146	2261713	WASHER-1/4 FLAT S/S [6.EA]
2	788-040	RETAINING RING	59	2991772	BRKT BOTTOM/BEARING SW ASSEMBLY	*147	2263103	NUT-1/4-20 NYLOCK-JAM [6.EA]
3	2-200-310	CENTER HOUSING ASSEMBLY 4.0 TXT	60	2772352	EYELET KIT -ROPE	160	2263804	STRAP - VELCRO 30.5"
4	2-300-340	BRUSH END HOUSING ASSEMBLY	61	2263422	SCREW 5/16-18 X 1 SHCS SS	161	2263615	TIE RAIL LONG [2 EA.]
5	144-017	BEARING- FLANGE (SERVICE ONLY)	62	2263424	SCREW 5/16-18 X 2-1/2 SHCS [2.EA]		2263610	TIE RAIL SHORT [2 EA.]
6	880-025	SEAL [2.EA]	63	2261525	SPRING-SLEEVE UPPER	162	2262645	LATCH PIN HOLDER [2 EA.]
7	421-376R	PLAIN END HOUSING ASSEMBLY	64	2261535	SPRING SLEEVE, LOWER	163	2263456	SCREW #8 - 3/4" BTFH SS [4 EA.]
8	140-010	BALL BEARING	65	2262705	SPRING, BOWGUARD, HC	164	2262661	LATCH PIN, GROOVED FRONT SS
9	990-045	THRUST SPACER	66	2011366	SCREW-COLLAR SS	165	2262663	LATCH PIN, GROOVED REAR SS
10	992-010	SPRING WASHER [2.EA]	67	2264702	INSERT-TUBE [2 EA.]	166	2261990	BRACKET, CYLINDER FRONT
11	186-094	BRUSH [2.EA]	68	2262604	PIN- THREADED SS	167	2262665	PIN, 2 E-CLIP, SS
12B	640-018	LEADWIRE-BLACK 10 AWG 62 1/2"	69	2223100	NUT - NYLOC SS [2.EA]	168	2332104	SCREW 1/4-20 X 5/8" PH SS [2 EA.]
12R	640-123	LEADWIRE-RED 10 AWG 64"	70	2261722	WASHER SS [2.EA]	169	2073100	1/4-20" NUT SS [2 EA.]
13	738-004	BRUSH PLATE 4"	■	2994832	BAG ASSEMBLY	170	2263006	E-CLIP [2 EA.]
14	975-041	SPRING- TORSION [2.EA]	*71	2261505	SPACER, MOTOR REST [6.EA]	171	2261995	BRACKET REAR [2 EA.]
17	701-009	O-RING —THRU BOLT [2.EA]	*72	2263434	SCREW, 8-18 X 1 PPH SS [2.EA]	172	2223454	SCREW #10-32 X 1/2" PH SS [4 EA.]
18	701-043	O-RING [2.EA]	89	2262606	PIN- CLEVIS SS	173	2261545	YOKE-GAS ASSIST
19	830-027	SCREW -SELF THREAD 10-32X2 1/4" [2.EA]	90	2260806	SPRING CLIP SS	174	2262722	SPRING EXTENSION
20	830-096	THRU BOLT 12-24X11.56 [2.EA]	91	2150400	PULL-GRIP	175	2262635	PIN ROLLER SS [2 EA.]
21	973-025	SPACER- BRUSH PLATE [2.EA]	92	2151700	WASHER-EYE SHAFT .562 OD	176	2262667	PIN-KNURLED SS
22	990-051	WASHER- STEEL	93	2061517	COLLAR- CTRL BOX SW WHITE	177	2262669	PIN-YOKE PIVOT SS
23	990-052	WASHER- NYLATRON	94	2263434	SCREW, 8-18 X 1 PPH SS [2.EA]	178	2262320	ROLLER YOKE [2 EA.]
24	2316288	MOTOR ASSEMBLY 36V 4" VARS 52"/62" WHITE	95	2195651	DECAL- COVER RT80 PRO /B/HC	179	2998431	CYLINDER/SHOCK BOOT ASSEMBLY 62"
25	2032085	TUBE COMP. WHITE 62"	96	2300219	COVER- CONTROL BOX RIPTIDE WHITE		2998429	CYLINDER /SHOCK BOOT ASSEMBLY 52"
	2032034	TUBE COMP. WHITE 52"	97	2301310	SCREW- #8-18 X1/2 SS [2.EA]	180	2262670	LATCH PIN STOP LEVER
■	1378132	PROPELLER KIT	99	2372100	SCREW- #8-18X5/8 THD SS [2.EA]	181	2262723	SPRING, MAXXUM PRO
26	2331160	PROPELLER W.WEDGE 2	100	2263406	SCREW- #10-24 2 SS	182	2301700	SPACER-RELEASE LEVER BRASS
27	2091701	WASHER-PROP LARGE	101	2333101	NUT- HEX #10-24 UNC NYLOCK SS	183	2332104	SCREW 1/4-20 X 5/8" SS
28	2198401	ANODE	102	2305401	SHRINK TUBE- .374 X 1.50 [4 EA.]	184	2998200	CIRCUIT BREAKER ASSEMBLY
29	2262658	PIN-DRIVE SS	103	2302743	SPRING- DETENT (HANDLE-TILT)	185	2340610	CONNECTOR CABLE [2 EA.]
■	2991745	MOUNT,BOW ASSEMBLY, SW 62"	104	2303412	SCREW- #6-20 X 5/8 SELF TAP [5.EA]			
	2991744	MOUNT,BOW ASSEMBLY, SW 52"	105	2062596	CONTROL BOX- SW WHT			
36	2264256	ARM UPPER-SW LONG 62"	106	2184001	CONTROL BOARD ASSEMBLY 24/36V			
	2264251	ARM UPPER-SW STD. 52"	107	2990915	HANDLE ASSEMBLY W/O U- JOINT			
37	2293501	BUSHING, STAINLESS STEEL [4.EA]	108	2302742	SPRING- DETENT (OFF) SS			
38	2263500	BOLT, SHOULDER MAXXUM [2.EA]	109	2302745	SPRING- RELEASE BUTTON SS			
39	2264336	ARM-LOWER GAS ASSIST,LG,SW, 62"	110	2303720	RELEASE BUTTON- HANDLE			
	2264331	ARM-LOWER GAS ASSIST, STD, SW, 52"	111	2060411	HANDLE TOP HALF- MAXIMIZE			
40	2263915	MOTOR REST LONG MAXXUM RT PRO 62"	112	2060415	HANDLE LOWER HALF			
	2263914	MOTOR REST STD. MAXXUM RT PRO 52"	113	2303412	SCREW - 6-20 X 5/8 SELF TAP [5.EA]			
41	2195530	DECAL-MAXXUM RT PRO,MOTOR REST [2.EA]	114	2060005	BEARING- HANDLE PIVOT [2.EA]			
42	2993982	BOWPLATE- SW LG MACH/INSERT, 62"	116	2992852	ACTUATOR- CAM			
	2993983	BOWPLATE - SW STD. MACH/INSERT 52"	117	2184020	POT ADAPTER			
43	2251601	ROPE 40" MAXXUM MOUNT	120	2052900	STRAIN RELIEF- C.CORD/C			
44	2261708	WASHER-3/8X1/2X.010 SS [2.EA] [62" MODELS ONLY]	121	2090650	LEADWIRE- 10 GA (RINGS)			
			122	2011366	SCREW- COLLAR/NEW KNOB SS			
45	2236000	BEARING NYLINER- [2.EA]	123	2031520	COLLAR- DEPTH (W/O INSERT)			
52	2260505	HINGE-PIN HEADLESS SS	■	2994830	BAG ASSEMBLY-MAXXUM			
■	2991764	BOWGUARD ASSEMBLY-HAND CTRL, 52/62	*145	2263431	SCREW 1/4-20 X 3.5 PPH [6.EA]			

For parts and service

call toll free: 1-888-404-1119

www.mikesreelrepair.com

RT Pro 101 is 36-volt!

For parts and service
call toll free: 1-888-404-1119

www.mikesreelrepair.com

