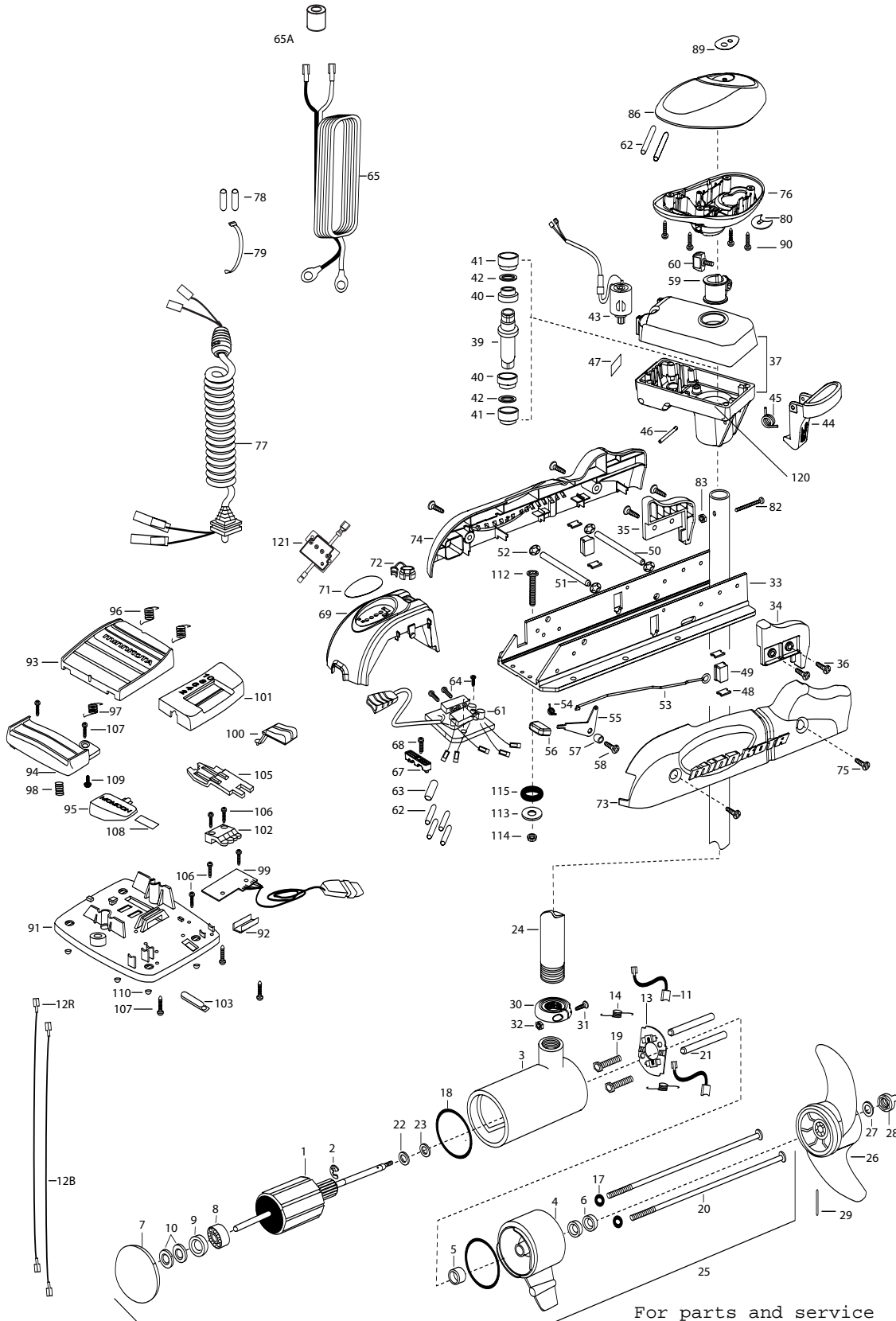


RT80/PD
80 LBS THRUST
24 VOLT 56 AMPS
54" OR 60" SHAFT

for use with "AG" serial numbers
3 - year warranty from the date of purchase

For parts and service
call toll free: 1-888-404-1119
www.mikesreelrepair.com



For parts and service
call toll free: 1-888-404-1119
www.mikesreelrepair.com

For parts and service

call toll free: 1-888-404-1119

www.mikesreelrepair.com

1	2-100-214	ARMATURE ASSEMBLY 24V 4.0 74#	*41	2307305	BUSHING- OUTER [2.EA]	86	2300243	CONTROL BOX COVER- RT/AP WHITE
2	788-040	RETAINING RING	*42	2304603	O-RING [2.EA]	89	2315678	DECAL- COVER ON/OFF RT80 PD
3	2-200-397	CENTER HOUSING ASSEMBLY 4.0 MAGNE	43	2307050	MOTOR- DRIVE HOUSING HIGH SPD	90	2372100	SCREW-8-18 X 5/8 SS [4.EA]
4	2-300-340	BRUSH END HOUSING ASSEMBLY 4.0 SW	44	2307215	LATCH HANDLE PD/AP	■	2774700	FOOT PEDAL ASSEMBLY
5	144-017	BEARING- FLANGE	45	2302750	SPRING- LATCH TORSION PD/AP	91	2304511	FOOT PEDAL BASE
6	880-025	**SEAL [2.EA]	46	2302626	PIN- ROLL 3/16 X 2 SS	92	2308500	WEAR PLATE FOOT PDL
7	421-376	PLAIN END HOUSING ASSEMBLY 4.0	47	2305515	DECAL-STOW/DEPLOY PD/AP 2001	93	2304516	FOOT PEDAL-UPPER
8	140-010	BALL BEARING	48	2335110	PAD-PIVOT SUPPORT SS [4.EA]	94	2304520	FOOT PEDAL-LOWER
9	990-045	THRUST SPACER	49	2305103	PIVOT PAD [2.EA]	95	2307210	LEVER MOM/CON-
10	992-010	SPRING WASHER [2.EA]	50	2300505	PIN-LATCH PD BASE SS	96	2302730	SPRING-LONG-UPPER PEDAL [2.EA]
11	186-094	BRUSH 4" W/TERMINAL [2.EA]	51	2300515	PIN-PIVOT PD BASE SS	97	2302731	SPRING-SHORT-UPPER PEDAL
12B	640-024	BRUSH WIRE 10 AWG- BLACK 79"	52	2333100	NUT-SPEED SS [4.EA]	98	2302732	SPRING-LOWER PEDAL
12R	640-131	BRUSH WIRE 10 AWG- RED 80.5"	53	2303612	ROD-RELEASE RT/AP SS	99	2304012	CONTROL BOARD ASSEMBLY-FT PDL
13	738-004	BRUSH PLATE- 4" TERMINAL	54	2302700	SPRING-RELEASE LEVER	100	2300120	KNOB-SPEED SELECTOR
14	975-041	SPRING- TORSION [2.EA]	55	2333705	LEVER-RELEASE SS	101	2300121	HOUSING SPEED SELECTOR
17	701-009	**O-RING- THRU BOLT [2.EA]	56	2300101	RELEASE-KNOB	102	2302840	ACTUATOR-BOARD
18	701-043	**O-RING [2.EA]	57	2301700	SPACER-RELEASE LEVER	103	2302841	ACTUATOR-MOM/CON
19	830-027	SCREW- SELF-THREAD 10-32 X 2 [2.EA]	58	2332104	SCREW-1/4-20 X 5/8 SS	105	2302842	ACTUATOR-STEERING
20	830-094	THRU BOLT- 12-24 X 10.31 [2.EA]	59	2031522	COLLAR- DRIVE (W/INSERT)	106	2302100	SCREW-6-20 X 1/2 [5.EA]
21	973-025	SPACER- BRUSH PLATE [2.EA]	60	2011366	SCREW-COLLAR/NEW KNOB SS	107	2372100	SCREW-8-18 X 5/8 [5.EA]
22	990-051	WASHER- STEEL THRUST	61	2304045	CTRL BOARD ASSEMBLY-24V PD/AP	108	2266610	DECAL-ON/OFF SWITCH
23	990-052	WASHER- NYLATRON	62	2305410	SHRINK TUBE-.314 x 2.25 [4 EA.]	109	2335130	BUMPER ACTUATOR
24	2032024	TUBE- COMPOSITE 54" AP WHT	63	2305401	SHRINK TUBE .374 X 1.50 [4 EA.]	110	2994807	BAG ASSEMBLY- 4 RUBBER
	2032026	TUBE - COMPOSITE 60" AP WHT	64	2332100	SCREW-8-32 X 3/8 [3.EA]	■	BUMPERS	
25	2316227	MOTOR ASSEMBLY 24V 4" VARS	65	2090651	LEADWIRE 10GA	*112	2994812	BAG ASSEMBLY- (BOLT, NUT, WASHERS)
■	1378132	PROPELLER KIT(26-29)	65A	2307310	BEAD - FERRITE [2 EA] (CE MODELS ONLY)	*113	2333500	BOLT-MOUNTING SS [6.EA]
26	2331160	PROPELLER W/WEDGE 2	67	2222906	STRAIN RELIEF- BRACKET PD/AP	*114	2151726	WASHER-5/16 STD SS [6.EA]
27	2091701	WASHER-5/16 SS	68	2332104	SCREW-1/4-20 X 5/8 SS	*115	2383106	NUT-5/16-18 SS [6.EA]
28	2198401	ANODE- ZINC 4" LWR U	69	2306556	HOUSING- CENTER RT/AP WHITE	120	2301720	WASHER-MOUNTING RUBBER [6.EA]
29	2262658	PIN-DRIVE	71	2306614	DECAL, BATTERY GAUGE H-RT AP	121	2304604	O-RING CASE SEAL
30	2301555	COLLAR- LATCH PD/AP	72	2302935	STRAIN RELIEF-DR. HOUSING		2074081	BATTERY METER
31	2303434	SCREW- 8-32 X 5/8 MACH PHCR	73	2303944	SIDEPLATE (RIGHT) WHITE			
32	2303112	NUT 8-32 NYLOC SS	74	2303949	SIDEPLATE (LEFT) WHITE			
33	2301933	EXTRUSION- BASE ANODIZED PD/AP	75	2332104	SCREW-1/4-20 X 5/8 SS[4.EA]			
34	2303933	MOTOR REST- RIGHT LARGE 4"	76	2772516	CONTROL BOX / DECAL ASSEMBLY			
35	2303938	MOTOR REST- LEFT LARGE 4"	77	2991280	COIL CORD WSTRAIN RELIEF 48, 54"			
36	2332104	SCREW 1/4-20 X 5/8 SS [4.EA]	78	2305402	SHRINK TUBE .374 X 2.25 [2 EA.]			
37	2991837	DRIVE HOUSING AP SW WHITE	79	9950433	TIE WRAP-4" BLACK			
■	2882011	BUSHING/ OUTSHAFT KIT	80	2224701	INSERT- PLUG WHITE			
*39		(INCLUDES 39-42)	82	2332102	SCREW-10-24 X 1-3/4 PPH SS			
*40	2302010	DRIVE HOUSING OUTPUT SHAFT	83	2333101	NUT-HEX 10-24 UNC-2B NYLOC			
	2307304	BUSHING- INNER [2.EA]						

** Seal & O-ring p/n 2889460 * This item is part of an assembly. This item cannot be sold separately due to machining and /or assembly that is required.

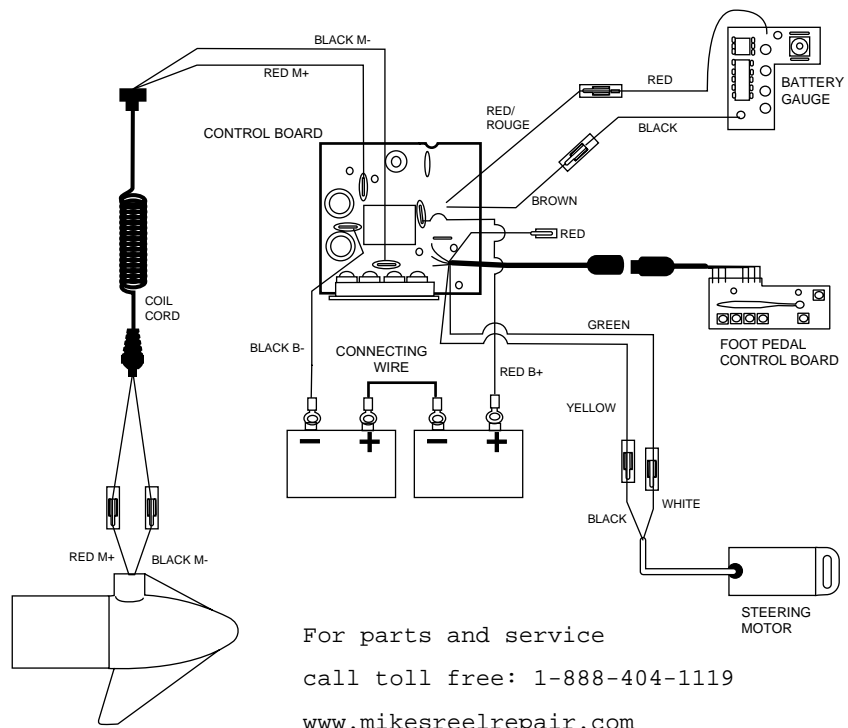
P/N 2314945

REV. B 12-05

For parts and service

call toll free: 1-888-404-1119

www.mikesreelrepair.com



For parts and service
 call toll free: 1-888-404-1119
www.mikesreelrepair.com