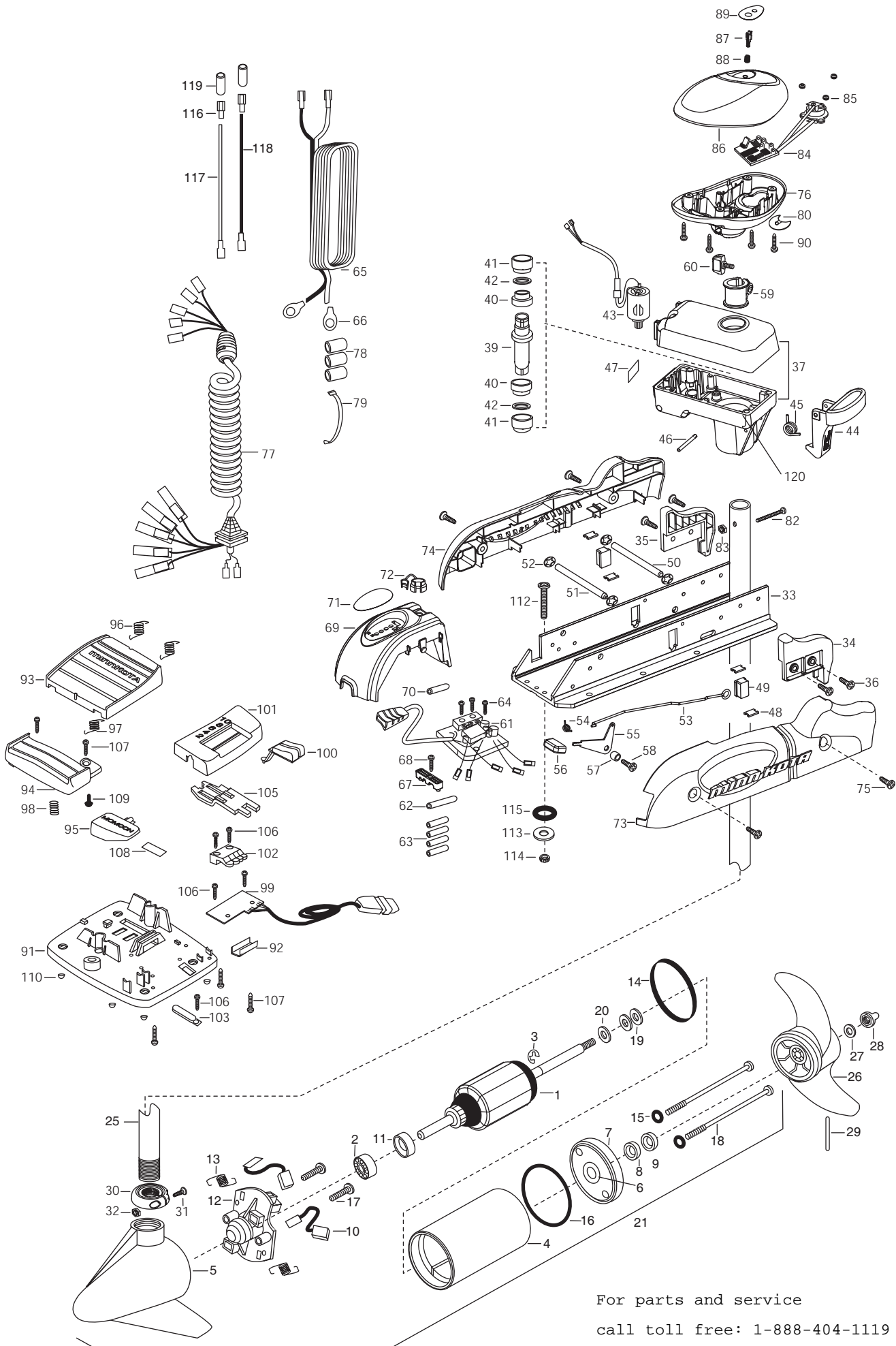


RT65/AP
65 LBS THRUST
24 VOLT 38 AMPS
54" OR 60" SHAFT

For parts and service
 call toll free: 1-888-404-1119
www.mikesreelrepair.com



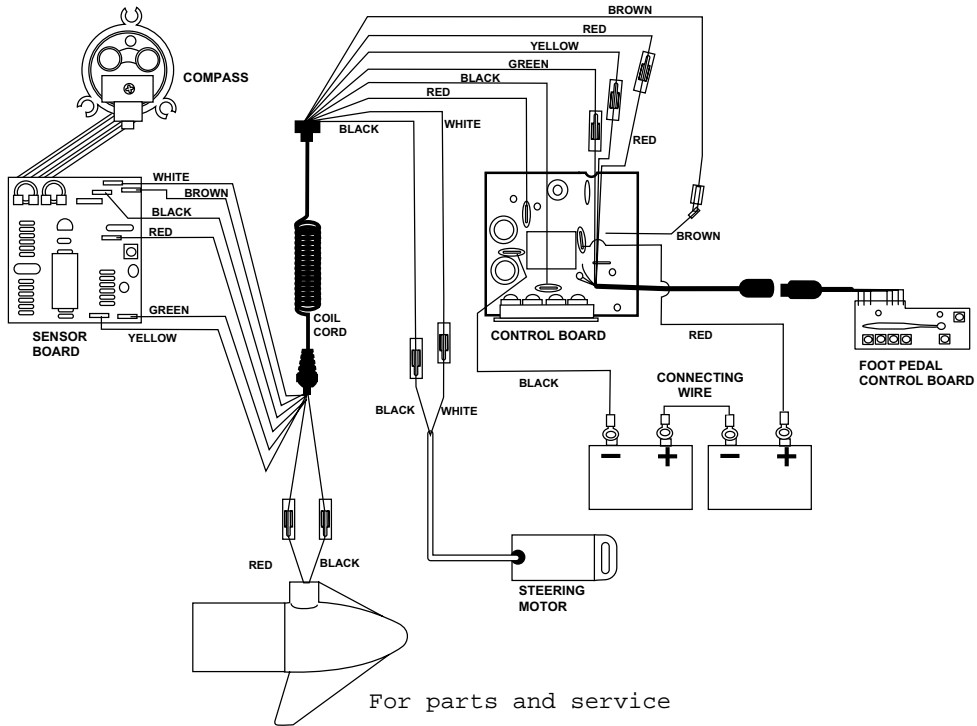
For parts and service
 call toll free: 1-888-404-1119
www.mikesreelrepair.com

1	92-100-009	ARMATURE ASSEMBLY	*41	2307305	BUSHING- OUTER [2.EA]	80	2224701	INSERT- PLUG WHITE
2	140-010	BALL BEARING	*42	2304603	O-RING [2.EA]	82	2332102	SCREW-10-24 X 1-3/4 PPH SS
3	788-015	RETAINING RING	43	2307045	MOTOR- DRIVE HOUSING HIGH SPD	83	2994023	NUT-HEX 10-24 UNC-2B NYLOC
4	2-200-304	CENTER HOUSING ASSEMBLY 3.62 SW W/MA	44	2307205	LATCH HANDLE PD/AP	84	2994003	CNTRL BOARD/AP COMPASS ASSEMBLY
5	421-336	HOUSING BRUSH END 3.62 SW HG TXT	45	2302750	SPRING- LATCH TORSION PD/AP	85	2302960	GROMMET-COMPASS [3.EA]
6	2-400-337	PLAIN END HOUSING ASSEMBLY 3.625 SW	46	2302626	PIN- ROLL 3/16 X 2 SS	86	2300243	CONTROL BOX COVER- RT/AP WHITE
7	144-049	BEARING - FLANGE (SERVICE ONLY)	47	2305514	DECAL-STOW/DEPLOY PD/AP 2001	87	2304082	ACTUATOR- SWITCH ON/OFF A/P
8	880-003	**SEAL	48	2335110	PAD-PIVOT SUPPORT SS [4.EA]	88	2303752	SPRING- ACTUATOR PD/AP SS
9	880-006	**SEAL WITH SHIELD	49	2305101	PIVOT PAD [2.EA]	89	2305668	DECAL- COVER ON/OFF RT65/AP
10	188-036	BRUSH ASSEMBLY 3.625 [2.EA]	50	2330510	PIN-LATCH PD BASE SS	90	2372100	SCREW-8-18 X 5/8 SS [4.EA]
11	725-050	BRUSH RETENTION- PAPER TUBE	51	2330520	PIN-PIVOT PD BASE SS	■	2774700	FOOT PEDAL ASSEMBLY
12	738-036	BRUSH PLATE W/HOLDER	52	2333100	NUT-SPEED SS [4.EA]	91	2304511	FOOT PEDAL BASE
13	975-040	SPRING - TORSION [2.EA]	53	2303612	ROD-RELEASE RT/AP SS	92	2308500	WEAR PLATE FOOT PDL
14	337-036	**GASKET	54	2302700	SPRING-RELEASE LEVER	93	2304516	FOOT PEDAL-UPPER
15	701-008	**O-RING, THRU-BOLT [2.EA]	55	2333705	LEVER-RELEASE SS	94	2304520	FOOT PEDAL-LOWER
16	701-081	**O-RING	56	2300101	RELEASE-KNOB	95	2307210	LEVER MOM/CON-
17	830-007	SCREW-#8-32 [2.EA]	57	2301700	SPACER-RELEASE LEVER	96	2302730	SPRING-LONG-UPPER PEDAL [2.EA]
18	830-008	THRU-BOLT 10-32 X 9.2 [2.EA]	58	2332104	SCREW-1/4-20 X 5/8 SS	97	2302731	SPRING-SHORT-UPPER PEDAL
19	990-067	WASHER- STEEL THRUST	59	2031522	COLLAR- DRIVE (W/INSERT)	98	2302732	SPRING-LOWER PEDAL
20	990-070	WASHER - NYLATRON [2.EA]	60	2011366	SCREW-COLLAR/NEW KNOB SS	99	2304012	CONTROL BOARD ASSEMBLY-FT PDL
21	2098036	MOTOR ASSEMBLY 24V 3.625 VARS 65W	61	2304042	CTRL BOARD ASSEMBLY-24V PD/AP	100	2300120	KNOB-SPEED SELECTOR
25	2032022	TUBE- COMPOSITE 54" AP WHT	62	2355410	SHRINK TUBE-3/8 OD X 2	101	2300121	HOUSING SPEED SELECTOR
	2032023	TUBE - COMPOSITE 60" AP WHT	63	2305400	SHRINK TUBE 3/8 X 1-1 [4.EA]	102	2302840	ACTUATOR-BOARD
■	1378122	PROPELLER KIT(26-29)	64	2332100	SCREW-8-32 X 3/8 [3.EA]	103	2302841	ACTUATOR-MOM/CON
26	2091150	PROPELLER W/WEDGE	65	2090601	LEADWIRE 10GA 44"	105	2302842	ACTUATOR-STEERING
27	2151726	WASHER-5/16 SS	66	2020700	TERMINAL RING [2.EA]	106	2302100	SCREW-6-20 X 1/2 [5.EA]
28	2198400	ANODE- ZINC 3.25/3.62 LWR U	67	2222906	STRAIN RELIEF- BRACKET PD/AP	107	2372100	SCREW-8-18 X 5/8 [5.EA]
29	2092600	PIN-DRIVE	68	2332104	SCREW-1/4-20 X 5/8 SS	108	2266610	DECAL-ON/OFF SWITCH
30	2301555	COLLAR- LATCH PD/AP	69	2306556	HOUSING- CENTER RT/AP WHITE	109	2335130	BUMPER ACTUATOR
31	2303434	SCREW- 8-32 X 5/8 MACH PHCR	70	2375400	SHRINK TUBE 1/4OD X 1-3/4	110	2994807	BAG ASSEMBLY- 4 RUBBER BUMPERS
32	2303112	NUT 8-32 NYLOC SS	71	2306612	DECAL, BATTERY GAUGE H-RT AP	■	2994812	BAG ASSEMBLY- (BOLT, NUT, WASHERS)
33	2301933	EXTRUSION- BASE ANODIZED PD/AP	72	2302935	STRAIN RELIEF-DR. HOUSING	*112	2333500	BOLT-MOUNTING SS [6.EA]
34	2303932	MOTOR REST- RIGHT LARGE 3 5/8	73	2303944	SIDEPLATE (RIGHT) WHITE	*113	2151726	WASHER-5/16 STD SS [6.EA]
35	2303937	MOTOR REST- LEFT LARGE 3 5/8	74	2303949	SIDEPLATE (LEFT) WHITE	*114	2383106	NUT-5/16-18 SS [6.EA]
36	2332104	SCREW 1/4-20 X 5/8 SS [4.EA]	75	2332104	SCREW-1/4-20 X 5/8 SS[4.EA]	*115	2301720	WASHER-MOUNTING RUBBER [6.EA]
37	2301847	DRIVE HOUSING AP SW WHITE	76	2302516	CONTROL BOX RT WHITE	116	2030710	CONNECTOR BUTT [2.EA]
■	2882011	BUSHING/ OUTSHAFT KIT (INCLUDES 39-42)	77	2991261	COIL CORD WSTRAIN RELIEF AP 54"	117	2030317	WIRE EXTENSION 18" - RED
				2991262	COIL CORD WSTRAIN REFIEF AP 60"	118	2030316	WIRE EXTENSION 18" - BLACK
*39	2302010	DRIVE HOUSING OUTPUT SHAFT	78	2065400	WIRE INSULATOR-LGE 1-3/4 [3.EA]	119	2375400	SHRINK TUBE 1/4OD X 1-3/4 [2 EA.]
*40	2307304	BUSHING- INNER [2.EA]	79	9950433	TIE WRAP-4" BLACK	120	2304604	O-RING CASE SEAL

**Seal & Oring Kit P/N 2888460

* This item is part of an assembly. This item cannot be sold separately due to machining and /or assembly that is required.

P/N 2304997REV.B 7-02



For parts and service
 call toll free: 1-888-404-1119
www.mikesreelrepair.com