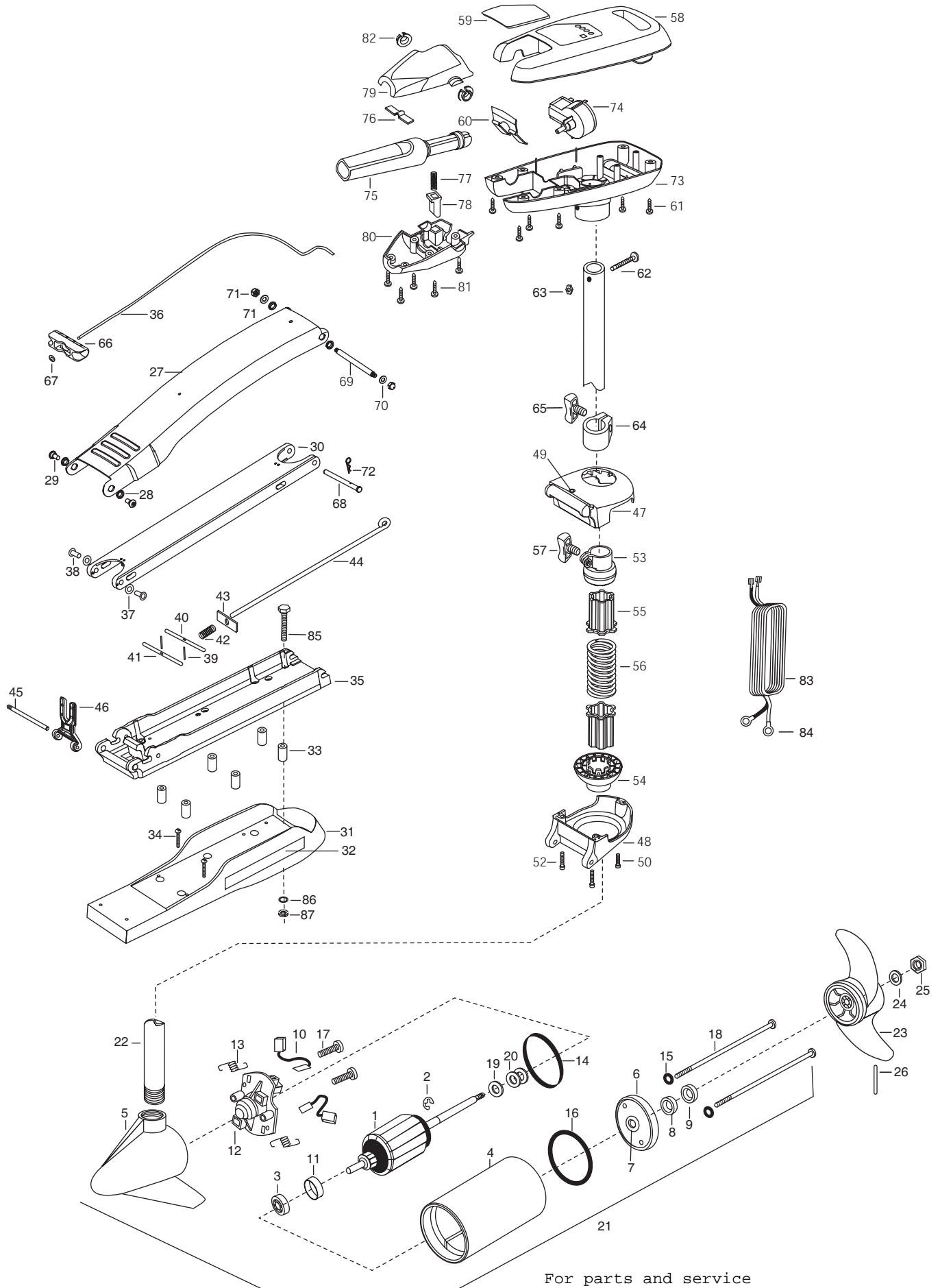


**RT65/SC/B**  
**65 LBS THRUST**  
**24 VOLT 38 AMPS**  
**52" SHAFT**

For parts and service  
call toll free: 1-888-404-1119  
[www.mikesreelrepair.com](http://www.mikesreelrepair.com)



For parts and service  
call toll free: 1-888-404-1119  
[www.mikesreelrepair.com](http://www.mikesreelrepair.com)

|    |            |  |    |         |                                   |    |         |                                   |
|----|------------|--|----|---------|-----------------------------------|----|---------|-----------------------------------|
| 1  | 92-100-009 | ARMATURE ASSEMBLY 24V 3.625 SW 65/W      | 30 | 2994310 | ARM-LOWER ASSEMBLY,STD,SW,WHT     | 60 | 2302743 | SPRING-DETENT (HANDLE-TILT)       |
| 2  | 788-015    | RETAINING RING                           | 31 | 2263914 | MOTOR REST STD MAXXUM WHT         | 61 | 2303412 | SCREW-6-20 X 5/8 SELF TAP [6.EA ] |
| 3  | 140-010    | BEARING -BALL                            | 32 | 2065676 | DECAL- MOTOR REST RT-W [2. EA]    | 62 | 2332102 | SCREW-10-24 X 1-3/4 SS            |
| 4  | 431-304    | CENTER HOUSING ASSEMBLY 3.62 SW          | 33 | 2261505 | SPACER, MOTOR REST [6.EA ]        | 63 | 2333101 | NUT-HEX SS NYLOC                  |
| 5  | 2-300-336  | BRUSH END HOUSING ASSEMBLY 3.62 SPCO WHT | 34 | 2263434 | SCREW, 8-18 X 1 PPH SS [2.EA ]    | 64 | 2031520 | COLLAR-DEPTH (W/O INSERT)         |
| 6  | 2-400-337  | PLAIN END HOUSING ASSEMBLY 3.62 WHT      | 35 | 2993983 | BOWPLATE/INSERT ASSEMBLY STD SW   | 65 | 2011366 | SCREW-COLLAR/NEW KNOB SS          |
| 7  | 144-049    | BEARING - FLANGE [SERVICE ONLY]          | 36 | 2251601 | ROPE (40"), MAXXUM MOUNT          | 66 | 2150400 | PULL-GRIP (RAW)                   |
| 8  | 880-003    | **SEAL                                   | 37 | 2261708 | WASHER-3/8 X1/2X.010 SS [2.EA]    | 67 | 2151700 | WASHER-EYE SHAFT(.562 OD)         |
| 9  | 880-006    | **SEAL WITH SHIELD                       | 38 | 2236000 | BEARING NYLINER- [2.EA ]          | 68 | 2262606 | PIN-CLEVIS SS MAXXUM BWGR         |
| 10 | 188-036    | BRUSH ASSEMBLY [2. EA]                   | 39 | 2152610 | SPRING-PIN (LOCKBAR)              | 69 | 2262604 | PIN- BWGR UPPER THREADED          |
| 11 | 725-050    | PAPER TUBE- BRUSH RETENTION              | 40 | 2233601 | LOCKBAR SS (NEW 500)              | 70 | 2261722 | WASHER- FLAT 5/16 SS [2.EA]       |
| 12 | 738-036    | BRUSH PLATE W/HOLDER                     | 41 | 2233603 | LOCK BAR, REAR - SS               | 71 | 2223100 | NUT- TENSION 5/16-18 SS [2.EA]    |
| 13 | 975-040    | SPRING - TORSION [2. EA]                 | 42 | 2152701 | SPRING-(LOCKBAR) SS [2.EA ]       | 72 | 2260800 | CLIP- SPRING SS MAX BG            |
| 14 | 337-036    | **GASKET                                 | 43 | 2262703 | SPRING STOP                       | 73 | 2062552 | CONTROL BOX PLAS W/HAND 5SP W     |
| 15 | 701-008    | **O-RING [2. EA]                         | 44 | 2153603 | EYE SHAFT-2LOCKEAR STD            | 74 | 2064023 | SWITCH-FWD/REV 5 SP               |
| 16 | 701-081    | **O-RING                                 | 45 | 2260505 | PIN-HINGE (HEADLE5S) SS           | 75 | 2990911 | HANDLE ASSEMBLY-W/U-JOINT SS      |
| 17 | 830-007    | SCREW # 8-32 [2.EA ]                     | 46 | 2293811 | YOKE,MAX MNT-POLYPROPYLE          | 76 | 2302742 | SPRING-DETENT (OFF) SS            |
| 18 | 830-008    | THRU BOLT 10-32 X 8.83 [2. EA]           | ■  | 2991846 | BOWGUARD ASSEMBLY SW WHT H.CT     | 77 | 2302745 | SPRING-RELEASE BUTTON SS          |
| 19 | 990-067    | WASHER - STEEL THRUST                    | 47 | 2261968 | BRKT BASE TOP/INSERT ASSEMBLY WHT | 78 | 2303720 | RELEASE BUTTON-HANDLE             |
| 20 | 990-070    | WASHER - NYLATRON [2. EA]                | 48 | 2991877 | BRKT BTTM/BEARING SW W            | 79 | 2060410 | HANDLE (TOP HALF)                 |
| 21 | 2098037    | MOTOR ASSEMBLY 24V 3.625 SW 5SPC         | 49 | 2772352 | EYELET SERVICE KIT                | 80 | 2060415 | HANDLE (LOWER HALF)               |
| 22 | 2032034    | TUBE (COMPOSITE) 52" WHITE               | 50 | 9954533 | SCREW-1/4-20 X 3/4 SS             | 81 | 2303412 | SCREW-6-20 X 5/8 SELF TAP [5.EA ] |
| ■  | 1378122    | PROPELLER KIT                            | 52 | 2263404 | SCREW-1/4-20X2 1/4 [2.EA ]        | 82 | 2060005 | BEARING-HANDLE PIVOT [2.EA ]      |
| 23 | 2091150    | PROPELLER- WEEDLESS WEDGE                | ■  | 2884701 | SLEEVE/INSERT KIT                 | 83 | 2090600 | LEADWIRE (10 GA) RINGS            |
| 24 | 2151726    | WASHER- 5/16 STD SS                      | 53 | 2261525 | SPRING-SLEEVE UPPER               | 84 | 2020700 | TERMINAL RING, 3/8 [2.EA ]        |
| 25 | 2198400    | ANODE- ZINC 3.25/3.62 LWR U              | 54 | 2261535 | SPRING SLEEVE, LOWER              | ■  | 2994830 | BAG ASSEMBLY-MAXXUM               |
| 26 | 2092600    | PIN-DRIVE SS                             | 55 | 2264702 | INSERT-TUBE BOWMNT [2.EA ]        | 85 | 2263431 | SCREW 1/4-20 X 3.5 PPH [6.EA ]    |
| ■  | 2991843    | MOUNT, BOW ASSEMBLY, SW STD WHT          | 56 | 2262705 | SPRING, BOWGUARD,SS               | 86 | 2261713 | WASHER-1/4 FLAT S/S [6.EA ]       |
| 27 | 2264244    | ARM-UPPER SW WHITE                       | 57 | 2011366 | SCREW-COLLAR/NEW KNOB SS          | 87 | 2263103 | NUT-1/4-20 NYLOCK-JAM SS [6.EA ]  |
| 28 | 2293501    | BUSHING, STAINLESS STEEL [4.EA ]         | 58 | 2060264 | COVER-CTRL BOX RT WHITE           |    |         |                                   |
| 29 | 2263500    | BOLT, SHOULDER (MAXXUM) [2.EA ]          | 59 | 2195641 | DECAL-COVER RT65/SC               |    |         |                                   |

**\*\*Seal & Oring Kit P/N 2888460**

\* This item is part of an assembly. This item cannot be sold separately due to machining and /or assembly that is required.  
For parts and service

p/n 2194921 REV.B 1-02

call toll free: 1-888-404-1119

www.mikesreelrepair.com

For parts and service  
call toll free: 1-888-404-1119  
[www.mikesreelrepair.com](http://www.mikesreelrepair.com)

### RT65/SC 24 VOLT

