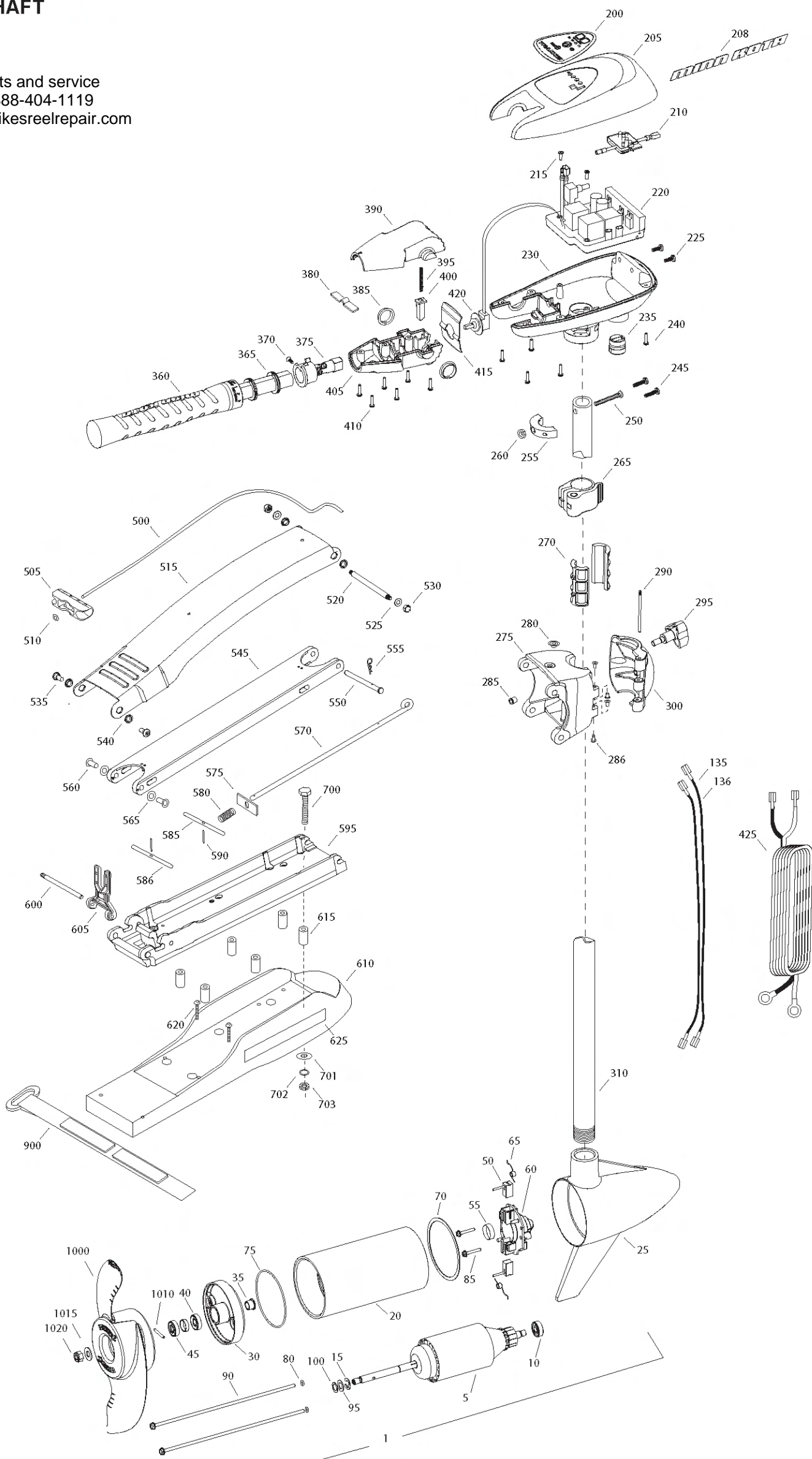


RT 55 SM w/ HINGE DOOR
55 LBS THRUST
12 VOLT 50 AMPS
52" SHAFT

for use with "J" serial numbers
3-year warranty from the date of sale

For Parts and service
Call 1-888-404-1119
www.mikesreelrepair.com



Item	P/N	Description	Qty	Item	P/N	Description	Qty	Item	P/N	Description	Qty
1	2097097	12V Motor 52" SW	1	■	2990957	Handle assy, VARS [360-410]	1				
5	2-100-115	Armature assembly	1	360	2990456	Grip/handle assy, VARS [360-375]	1	■	1378131	Propeller kit WW2	
10	140-010	Bearing	1	365	2060015	Bearing, handle	2	■	2994875	Propeller bag assy	
15	788-015	Retaining ring	1	370	2063405	Screw, #6 PFH SS	1	1000	2091160	Propeller WW2	1
20	2-200-301	Center housing assembly	1	375	2884092	Yoke / spider assy, VARS	1	1010	2092600	Drive pin, small	1
25	421-336	Brush end housing assembly	1	380	2302742	Spring, detent, off	1	1015	2151726	Washer, prop, small	1
30	2-400-337	Plain end housing assembly	1	385	2060005	Bearing, handle pivot	2	1020	2198400	Nut, nylock, prop, Anode	1
35	144-049	Flange bearing	1	390	2060900	Handle half, upper	1				
40	880-003	Seal	1	395	2302745	Spring, release button	1				
45	880-006	Seal with shield	1	400	2063700	Button, release	1				
50	188-036	Brush	2	405	2060905	Handle half, lower	1				
55	725-050	Paper tube	1	410	2303412	Screw, #6 x 5/8 SS	6				
60	2-600-103	Brush plate assembly	1								
65	975-040	Brush spring	2	415	2062715	Spring, handle pivot	1				
70	337-036	Gasket	1	420	2061700	Washer, pot holder	1				
75	701-081	O-ring, motor	1	425	2992523	Leadwire assy	1				
80	701-008	O-ring, thru-bolt	2								
85	830-007	Screw, 8-32	2	■	2991845	Mount, Bow Assy hinge and door	1				
90	830-042	Thru-bolt	2			[270-300], [500-625]					
95	990-067	Washer, steel	2	500	2251601	Rope	1				
100	990-070	Washer, nylatron	2	505	2150400	Pull grip	1				
135	640-008	Leadwire, black	1	510	2151700	Washer	1				
136	640-107	Leadwire, red	1	515	2264244	Arm, upper, std, sw	1				
■	2888460	Seal and O-ring Kit		520	2262604	Pin, bowguard, upper	1				
				525	2261722	Washer, 5/16", ss	2				
200	2195654	Decal, c-box cover	1	530	2223100	Nut, 5/16-18 SS	2				
205	2060296	C-box cover	1	535	2263500	Bolt, shoulder	2				
208	2325666	Decal - MinnKota	2	540	2293501	Bushing, SS	2				
210	2074080	Battery meter, 12v SW	1	545	2994351	Arm, Lower, std, sw	1				
215	3043427	Screw, #8 x 7/8 SS	2	550	2262606	Pin, clevis ss	1				
220	2184006	Control board, 12v	1	555	2260806	Spring, clip, ss	1				
225	2303434	Screw, #8-30 x 5/8 SS	2	560	2267318	Bushing, nyloner	2				
230	2062503	Control box, VARS, SW	1	565	2261708	Washer, spacer, .010 thk	as reqd				
235	2062905	Strain relief	1	570	2153603	Eyeshaft, ss	1				
240	2303412	Screw, #6 x 5/8 SS	6	575	2262703	Spring stop	1				
245	2263434	Screw, #8 x 1 SS	2	580	2152701	Spring, lock bar, ss	1				
250	2383407	Screw, #10-24 x 2 SS	1	585	2233621	Lock bar, front, ss	1				
255	2061517	Collar, c-box	1	586	2233623	Lock bar, back, ss	1				
260	2383124	Nut, 10-24, nylock, SS	1	590	2152612	Spring pin, ss	2				
265	2991521	Cam lock/depth collar assy	1	595	2773983	Bowplate w/ insert, std, fw	1				
				600	226050s	Hinge pin, ss	1				
■	2771982	Hinge & door assembly [270-300]	1	605	2293811	Yoke, Max	1				
270	2151532	Hinge sleeve	2	610	2263917	Motor rest, std, fw	1				
275	2991782	Hinge base assembly	1	615	2261505	Spacer, motor rest	6				
280	2232315	Eyelet SS	1	620	2263434	Screw, #8, SS	2				
286	2236001	Bushing, nyloner	4	625	2065677	Decal, motor rest	2				
285	2264706	Insert, hinge base	1								
290	2262642	Pin, hinge door	1	■	2994830	Bag assembly	1				
295	2260902	Knob, door	1	700	2263431	Screw, 1/4-20 x 3 1/2" PPH, SS	6				
300	2261859	Hinge door	1	701	2301720	Washer, rubber mounting	6				
				702	2261713	Washer, 1/4 SS	6				
310	2032034	Tube Composite 52"	1	703	2263101	Nut, 1/4-20 Nylock, SS	6				
				900	2263804	Strap, hold down	1				

For Parts and service
Call 1-888-404-1119
www.mikesreelrepair.com

2888460 Seal & Oring Kit

* This item is part of an assembly. This item cannot be sold separately due to machining and /or assembly that is required.

RT 55 is 12-volt only!

THIS IS A UNIVERSAL MULTI-VOLTAGE DIAGRAM. DOUBLE CHECK YOUR MOTORS VOLTAGE FOR PROPER CONNECTIONS

