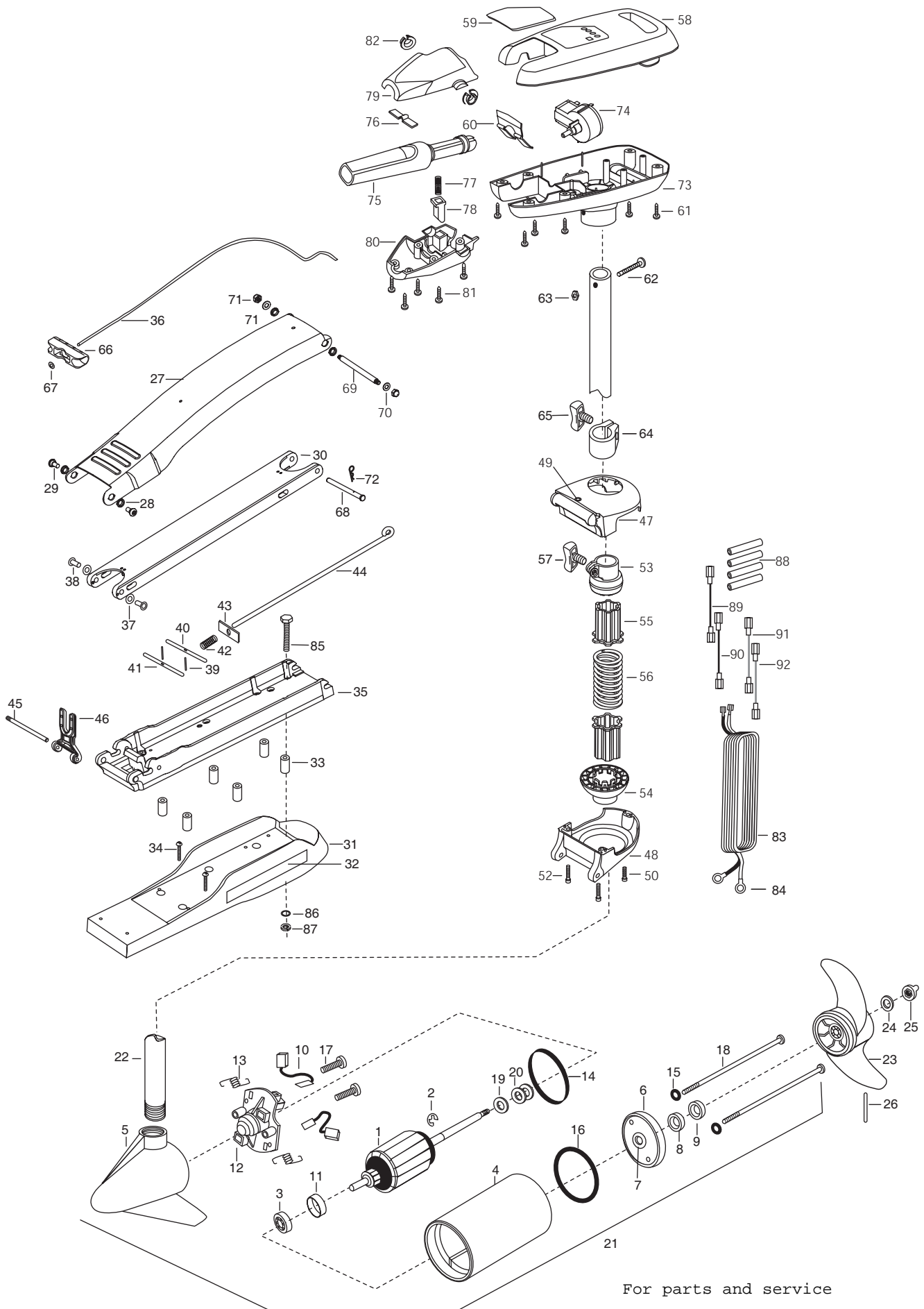


RT55/SC/B  
 55 LBS THRUST  
 12 VOLT 45 AMPS  
 42" & 52" SHAFT

For parts and service  
 call toll free: 1-888-404-1119  
 www.mikesreelrepair.com



For parts and service  
 call toll free: 1-888-404-1119  
 www.mikesreelrepair.com

1	92-100-013	ARMATURE ASSEMBLY 12V 3.625 55#	31	2263914	MOTOR REST STD MAXXUM WHT	63	2333101	NUT-HEX SS NYLOC
2	788-015	RETAINING RING	32	2065676	DECAL- MOTOR REST RT-W [2. EA]	64	2031520	COLLAR-DEPTH (W/O INSERT)
3	140-010	BEARING -BALL	33	2261505	SPACER, MOTOR REST [6.EA ]	65	2011366	SCREW-COLLAR/NEW KNOB SS
4	431-301	CENTER HOUSING ASSEMBLY 3.62 SW TXT WHT	34	2263434	SCREW, 8-18 X 1 PPH SS [2.EA ]	66	2150400	PULL-GRIP (RAW)
5	2-300-337	BRUSH END HOUSING ASSEMBLY 3.62 SPCO	35	2993983	BOWPLATE/INSERT	67	2151700	WASHER-EYE SHAFT(.562 OD)
6	2-400-337	PLAIN END HOUSING ASSEMBLY 3.62	36	2251601	ROPE (40"), MAXXUM MOUNT	68	2262606	PIN-CLEVIS SS MAXXUM BWGR
7	144-049	BEARING - FLANGE [SERVICE ONLY]	37	2261708	WASHER-3/8 X1/2X.010 SS [2.EA]	69	2262604	PIN- BWGR UPPER THREADED
8	880-003	**SEAL	38	2236000	BEARING NYLINER- [2.EA ]	70	2261722	WASHER- FLAT 5/16 SS [2.EA]
9	880-006	**SEAL WITH SHIELD	39	2152610	SPRING-PIN (LOCKBAR)	71	2223100	NUT- TENSION 5/16-18 SS [2.EA]
10	188-036	BRUSH ASSEMBLY [2. EA]	40	2233601	LOCKBAR SS (NEW 500)	72	2260800	CLIP- SPRING SS MAX BG
11	725-050	PAPER TUBE- BRUSH RETENTION	41	2233603	LOCK BAR, REAR - SS	73	2062552	CONTROL BOX PLAS W/HAND 5SP W
12	738-036	BRUSH PLATE W/HOLDER	42	2152701	SPRING-(LOCKBAR) SS [2.EA ]	74	2064023	SWITCH-FWD/REV 5SP W
13	975-040	SPRING - TORSION [2. EA]	43	2262703	SPRING STOP	75	2990911	HANDLE ASSEMBLY-W/U-JOINT 5SP W
14	337-036	**GASKET	44	2153603	EYE SHAFT-2LOCKEAR STD	76	2302742	SPRING-DETENT (OFF) SS
15	701-008	**O-RING [2. EA]	45	2260505	PIN-HINGE (HEADLE5S) SS	77	2302745	SPRING-RELEASE BUTTON SS
16	701-081	**O-RING	46	2293811	YOKE,MAX MNT-POLYPROPYLE	78	2303720	RELEASE BUTTON-HANDLE
17	830-007	SCREW # 8-32 [2.EA ]	■	2991846	BOWGUARD ASSEMBLY SW WHT HC	79	2060410	HANDLE (TOP HALF)
18	830-042	THRU BOLT 10-32 X 8.83 [2. EA]	47	2261968	BRKT BASE TOP/INSERT ASSEMBLY WHT	80	2060415	HANDLE (LOWER HALF)
19	990-067	WASHER - STEEL THRUST	48	2991877	BRKT BTTM/BEARING SW W	81	2303412	SCREW-6-20 X 5/8 SELF TAP [5.EA ]
20	990-070	WASHER - NYLATRON [2. EA]	49	2772352	EYELET SERVICE KIT	82	2060005	BEARING-HANDLE PIVOT [2.EA ]
21	2099097	MOTOR ASSEMBLY 12V 3.625 SW 5SPC 55-W	50	9954533	SCREW-1/4-20 X 3/4 SS	83	2090600	LEADWIRE (10 GA) RINGS
22	2032033	TUBE (COMPOSITE) 42" BM W	52	2263404	SCREW-1/4-20X2 1/4 [2.EA ]	84	2020700	TERMINAL RING, 3/8 [2.EA ]
	2032034	TUBE (COMPOSITE) 52" BM W	■	2884701	SLEEVE/INSERT KIT	■	2994830	BAG ASSEMBLY-MAXXUM
■	1378122	PROPELLER KIT	53	2261525	SPRING-SLEEVE UPPER	85	2263431	SCREW 1/4-20 X 3.5 PPH [6.EA ]
23	2091150	PROPELLER- WEEDLESS WEDGE	54	2261535	SPRING SLEEVE, LOWER	86	2261713	WASHER-1/4 FLAT S/S [6.EA ]
24	2151726	WASHER- 5/16 STD SS	55	2264702	INSERT-TUBE BOWMNT [2.EA ]	87	2263103	NUT-1/4-20 NYLOCK-JAM SS [6.EA ]
25	2198400	ANODE- ZINC 3.25/3.62 LWR U	56	2262705	SPRING, BOWGUARD,SS	—	52" ONLY	—————
26	2092600	PIN-DRIVE SS	57	2011366	SCREW-COLLAR/NEW KNOB SS	88	2375400	SHRINK TUBE 1/4ODX1-3/4
■	2771843	MOUNT, BOW ASSEMBLY, SW STD W	58	2060264	COVER-CTRL BOX RT WHITE	89	2260330	WIRE EXTENSION- 10GA BLK 9"
27	2264244	ARM-UPPER SW TXT WH	59	2195642	DECAL-COVER RT55/SC HC WHT	90	2260331	WIRE EXTENSION- 10GA RED 9"
28	2293501	BUSHING, STAINLESS STEEL [4.EA ]	60	2302743	SPRING-DETENT (HANDLE-TILT)	91	2260332	WIRE EXTENSION- 10GA WHT 9"
29	2263500	BOLT, SHOULDER (MAXXUM) [2.EA ]	61	2303412	SCREW-6-20 X 5/8 SELF TAP [6.EA ]	92	2260333	WIRE EXTENSION- 10GA YEL 9"
30	2994310	ARM-LOWER ASSEMBLY,STD,SW,EX/M	62	2332102	SCREW-10-24 X 1-3/4 SS			

**\*\*Seal & Oring Kit P/N 2888460**

\* This item is part of an assembly. This item cannot be sold separately due to machining and /or assembly that is required.  
For parts and service

p/n 2194920 REV.B 1-02

call toll free: 1-888-404-1119

www.mikesreelrepair.com

For parts and service

call toll free: 1-888-404-1119

[www.mikesreelrepair.com](http://www.mikesreelrepair.com)

