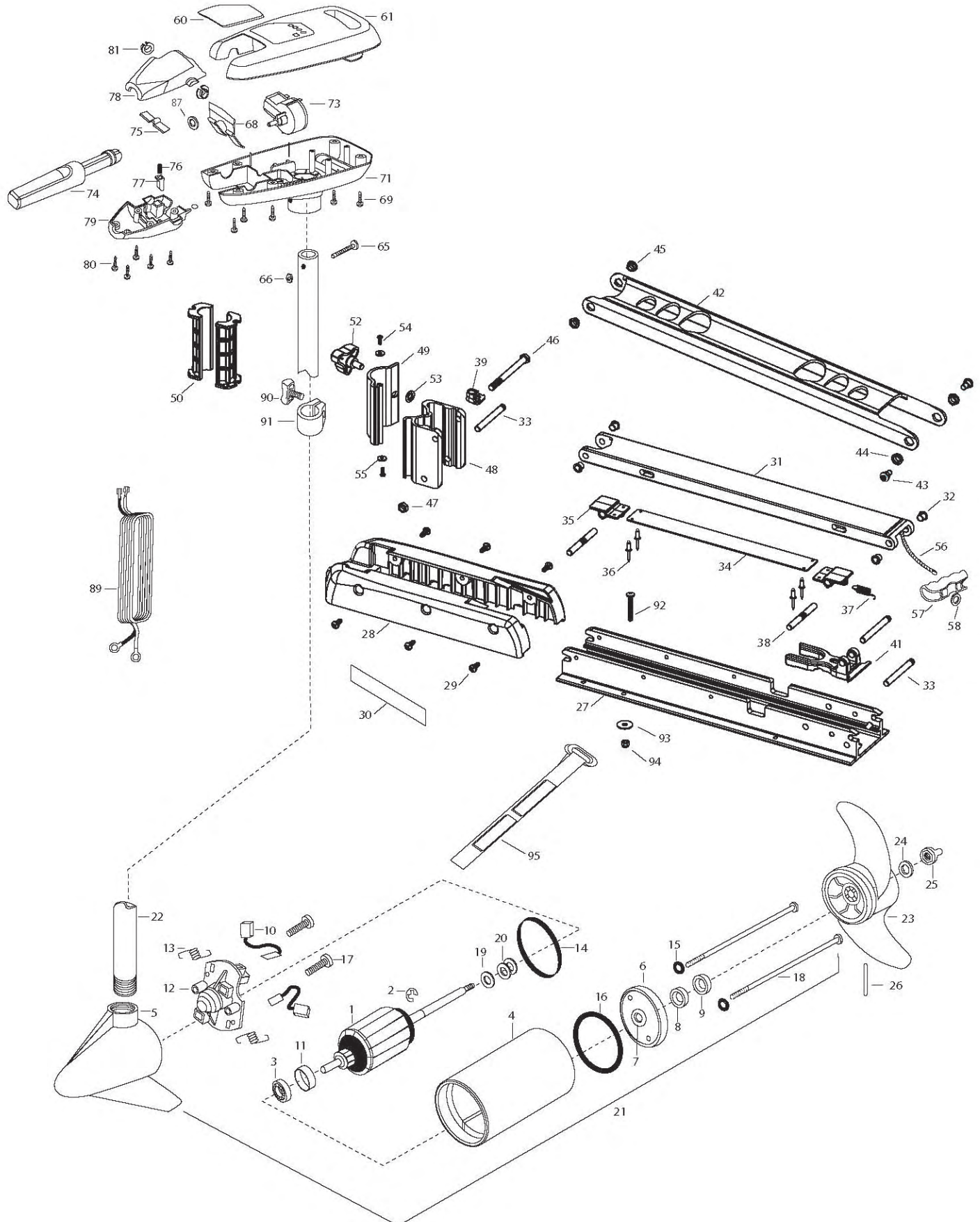


Riptide 46 SE/SC
46 LBS THRUST
12 VOLT
52" SHAFT

for use with "AI" serial numbers
3-year warranty from the date of purchase

For Parts and Service
Call 1-888-404-1119
www.mikesreelrepair.com



1	2-100-115	ARMATURE ASSEMBLY 12V 3.625	32	2266002	NYLINER 3/8" SHAFT [4 EA.]	73	2064023	5 SPEED SWITCH
2	788-015	RETAINING RING	33	2260504	PIVOT PIN, SS [3 EA.]	74	2990911	HANDLE ASSEMBLY W/ U-JOINT 5 SPD
3	140-010	BEARING -BALL	■	2993811	LATCH STRAP ASSEMBLY, STD	75	2302742	SPRING-DETENT(OFF) SS
4	2-200-301	CENTER HOUSING ASSEMBLY 3.625 WHT	34	2263605	LATCH STRAP, STD	76	2302745	SPRING-RELEASE BUTTON SS
5	2-300-337	HOUSING- BRUSH END 3.625 SW SC	35	2261902	BRACKET-LATCH [2 EA.]	77	2303720	RELEASE BUTTON-HANDLE
6	2-400-337	PLAIN END HOUSING ASSEMBLY 3.625	36	2268602	RIVET 1/8" SS [4 EA.]	78	2060410	HANDLE (TOP HALF)
7	144-049	BEARING - FLANGE [SERVICE ONLY]	37	2262709	SPRING-LATCH PIN	79	2060415	HANDLE (LOWER HALF)
8	880-003	SEAL	38	2260502	LATCH PIN, SS [2 EA.]	80	2303412	SCREW-6-20 X 5/8 SELF TAP [5. EA]
9	880-006	SEAL WITH SHIELD	39	2262310	ROPE GUIDE	81	2060005	BEARING-HANDLE PIVOT [2. EA]
10	188-036	BRUSH ASSEMBLY [2. EA]	41	2261544	YOKE-TUBE	89	2090650	LEADWIRE (10 GA) (RINGS)
11	725-050	PAPER TUBE- BRUSH RETENTION	42	2264263	ARM-UPPER, SW, STD	90	2011366	SCREW-COLLAR/NEW KNOB (SS)
12	738-036	BRUSH PLATE W/HOLDER 3.625	43	2263510	BOLT-SHOULDER, SS [2 EA.]	91	2031520	COLLAR-DEPTH (W/O INSERT)
13	975-040	SPRING - TORSION [2.EA]	44	2267302	BUSHING-LOWER 7/16" ID, SS	■	2994938	BAG ASSEMBLY
14	337-036	GASKET	45	2267303	BUSHING-UPPER 3/8" ID, SS	*92	2263462	SCREW 1/4-20 X 2" PPH [6. EA]
15	701-008	O-RING [2. EA]	46	2263506	BOLT 3/8-16 X 4.25", SS	*93	2261713	WASHER-1/4 FLAT S/S [6. EA]
16	701-081	O-RING	47	2263115	NUT-NYLOCK JAM 3/8-16, SS	*94	2263103	NUT-1/4-20 NYLOCK-JAM S/S [6. EA]
17	830-007	SCREW # 8-32 [2.EA]	48	2261873	HINGE BASE, SW	95	2263405	VELCRO STRAP
18	830-042	THRU BOLT 10-32 X 8.83 [2. EA]	49	2261878	HINGE DOOR, SW			
19	990-067	WASHER - STEEL THRUST	50	2261537	HINGE SLEEVE [2 EA.]			
20	990-070	WASHER - NYLATRON [2. EA]	52	2260906	HANDLE-SOFT GRIP, L&D, SS			
21	2097097	MOTOR- ASSEMBLY 12V 3.62 SW 5SPD	53	2261728	WASHER-RETAINING 3/8"			
22	2032034	TUBE COMPOSITE 52" WHT	54	2332100	SCREW #8-32 X 3/8" TRI, SS [2 EA.]			
■	1378131	PROPELLER KIT	55	2261732	WASHER #8, NYLON [2 EA.]			
23	2091160	PROPELLER (W.WEDGE 2)	56	2251601	ROPE (44.5")			
24	2151726	WASHER- 5/16 STD	57	2150400	PULL-GRIP			
25	2198400	ANODE-ZINC 3.25/3.625 LWR U	58	2151700	WASHER-EYE SHAFT(.562 OD)			
26	2092600	PIN-DRIVE	60	2265695	DECAL-COVER, RT/EDGE 46/B HC			
■	2991701	MOUNT,BOW ASSEMBLY,SW STD	61	2060264	COVER- CONTROL BOX RIPTIDE WHT			
27	2266503	BOWPLATE, SW, STD, 45"	65	2262102	SCREW-10-24 X 1 3/4" SS PPH			
28	2263906	MOTOR REST, WHITE	66	2333101	NUT-HEX 10-24 UNC-2B NYLOC			
29	2332104	SCREW 1/4-20 X 5/8, SS [6 EA.]	68	2302743	SPRING-DETENT -HANDLE-TILT			
30	2265668	MOTOR REST DECAL, SW [2 EA.]	69	2303412	SCREW-6-20 X 5/8 SELF TAP [6. EA]			
31	2264343	LOWER ARM, SW, STD.	71	2062552	CONTROL BOX, SW, 5SPD			

For Parts and Service

Call 1-888-404-1119

www.mikesreelrepair.com

2888460 seal & oring kit

* This item is part of an assembly. This item cannot be sold separately due to machining and /or assembly that is required.

For Parts and Service

Call 1-888-404-1119

www.mikesreelrepair.com

