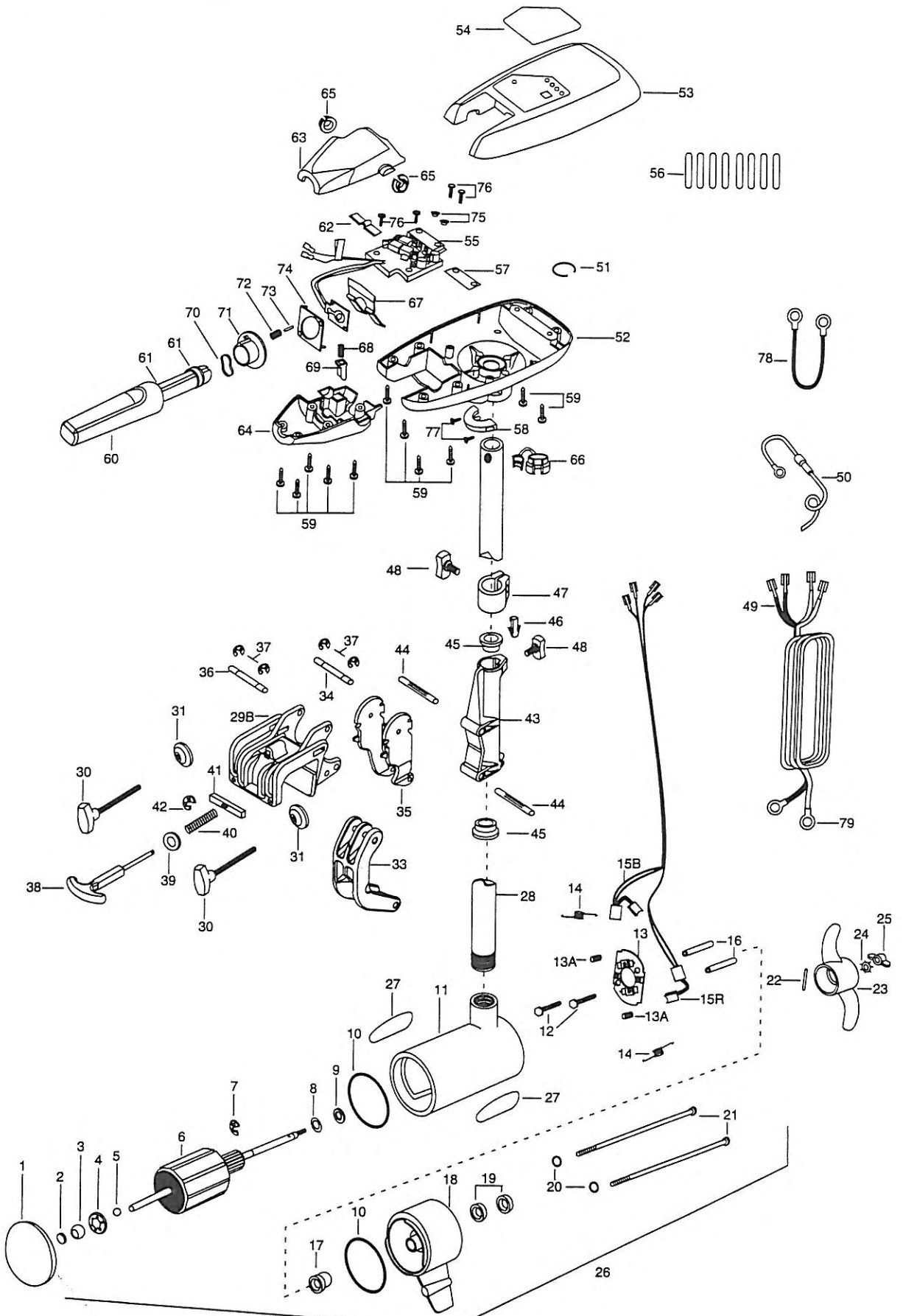
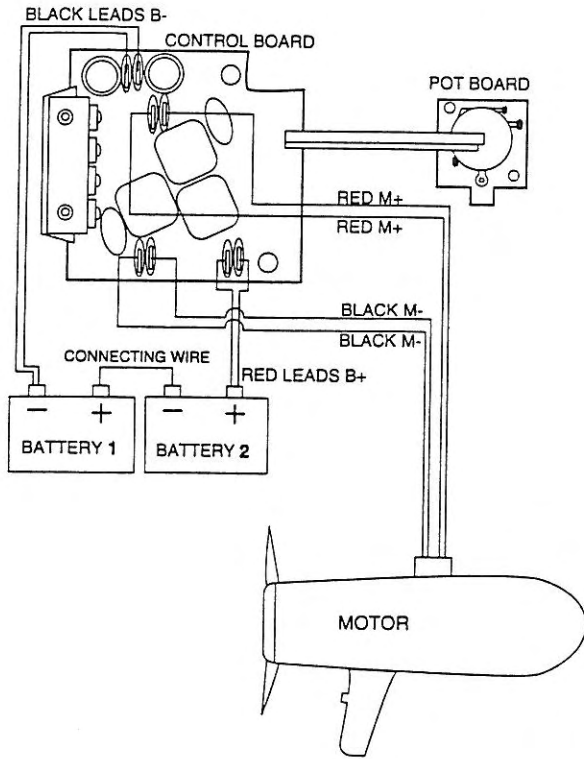


RT55/S RT70/S



Item	Part No.	Description	Item	Part No.	Description	Item	Part No.	Description
1	409-025	Front Endbell	30	201-1376	Screw- Clamp Knob SS (2 req'd)	65	206-0005	Bearing- Handle Pivot (2 req'd)
2	406-050	Thrust Disc	31	233-1700	Washer- Clamp Screw (2 req'd)	66	233-2900	Strain Relief- C. Cord
3	409-600	Spherical Bearing	33	203-4301	Arm-Link Lower	67	230-2743	Spring Handle Tilt Detent
4	409-301	Bearing Retainer	34	203-0502	Pin- Pivot Lower Arm	68	230-2745	Spring- Release Button
5	405-010	Ball Bearing	35	203-4201	Arm- Link Upper	69	230-3720	Release Button- Handle
6	410-204	Armature Assembly RT55/S	36	203-0501	Pin- Pivot Upper Arm	70	230-2741	Spring- Cam
6	410-205	Armature Assembly RT70/S	37	226-3011	E-Ring 3/8" (4 req'd)	71	230-2850	Actuator- Cam
7	409-300	E-Ring	38	203-0981	Handle- Tilt	72	230-2740	Spring- Actuator
8	409-170	Thrust Washer- Steel (as req'd)	39	203-1701	Washer- Spring Seat	73	230-2600	Pin- Actuator
9	409-171	Thrust Washer- Nylatron (as req'd)	40	201-2701	Spring- Lockbar	74	230-2851	Actuator- Forward/Reverse
10	409-460	O-Ring (2 req'd)	41	203-3605	Lockbar	75	230-1710	Washer- Insulated (2 req'd)
11	409-258	Center Section w/ Magnets	42	203-3011	E-Ring 5/32"	76	237-2100	Screw 5/8" (4 req'd)
12	405-341	Brush Plate Screw (2 req'd)	43	203-2020	Tube- Guide	77	230-1310	Screw 1/2" (2 req'd)
13	409-401	Brush Plate Assembly	44	203-0500	Pin- Pivot Tube (2 req'd)	78	234-0610	Connector Cable- 24v only (RT70/S)
13A	409-343	Brush Set Screw (2 req'd)	45	203-7300	Bushing- Hinge (2 req'd)	79	2090700	Replacement Ring Terminals (2 req'd)
14	406-083	Brush Spring (2 req'd)	46	203-2800	Tension Block			
15B	409-072	Brush Assembly- Black (36"/42")	47	203-1520	Collar- Depth			
15R	409-071	Brush Assembly- Red (36"/42")	48	201-1366	Screw- Collar/Knob (2 req'd)			
16	405-151	Brush Plate Spacer (2 req'd)	49	233-0600	Leadwire- w/ Ring Terminals			
17	409-000	Flange Bearing	50	206-0310	Fused Ground Wire			
18	409-034	Rear Endbell	51	230-3001	Ring- Pig			
19	409-461	Seal (2 req'd)	52	206-2584	Control Box			
20	409-462	O-Ring- Thru Bolt (2 req'd)	53	230-0227	Control Box Cover			
21	409-352	Thru Bolt (2 req'd)	54	209-5615	Decal- Cover (RT55/S)			
22	209-2600	Pin- Drive	54	209-5616	Decal- Cover (RT70/S)			
23	233-1120	Propeller	55	233-4005	Control Board Assembly (RT55/S)			
24	209-1700	Lockwasher	55	234-4005	Control Board Assembly (RT70/S)			
25	209-3100	Nut- Prop	56	230-5400	Shrink Tube 3/8" OD (8 req'd)			
26	233-7080	Motor Assembly (RT55/S-36"/42")	57	236-5105	Insulating Pad			
26	231-7040	Motor Assembly (RT70/S-36"/42")	58	206-1511	Collar- Control Box			
27	206-6649	Decal- Riptide (2 req'd)	59	203-3412	Screw 5/8" (11 req'd)			
28	203-2057	Tube (36")	60	299-0915	Handle Assembly- Complete			
28	203-2053	Tube (42")	61	206-0000	Bearing- Handle (2 req'd)			
29	299-1963	Bracket-Kota Stow Assembly SW	62	230-2742	Spring- Detent (Off)			
29A*	277-1909	Bracket Assembly (includes 29B-32)	63	206-0411	Handle- Top Half			
29B*	203-1922	Bracket- Die Cast Painted (order 29A)	64	206-0415	Handle- Lower Half			

RT70/S



RT55/S

