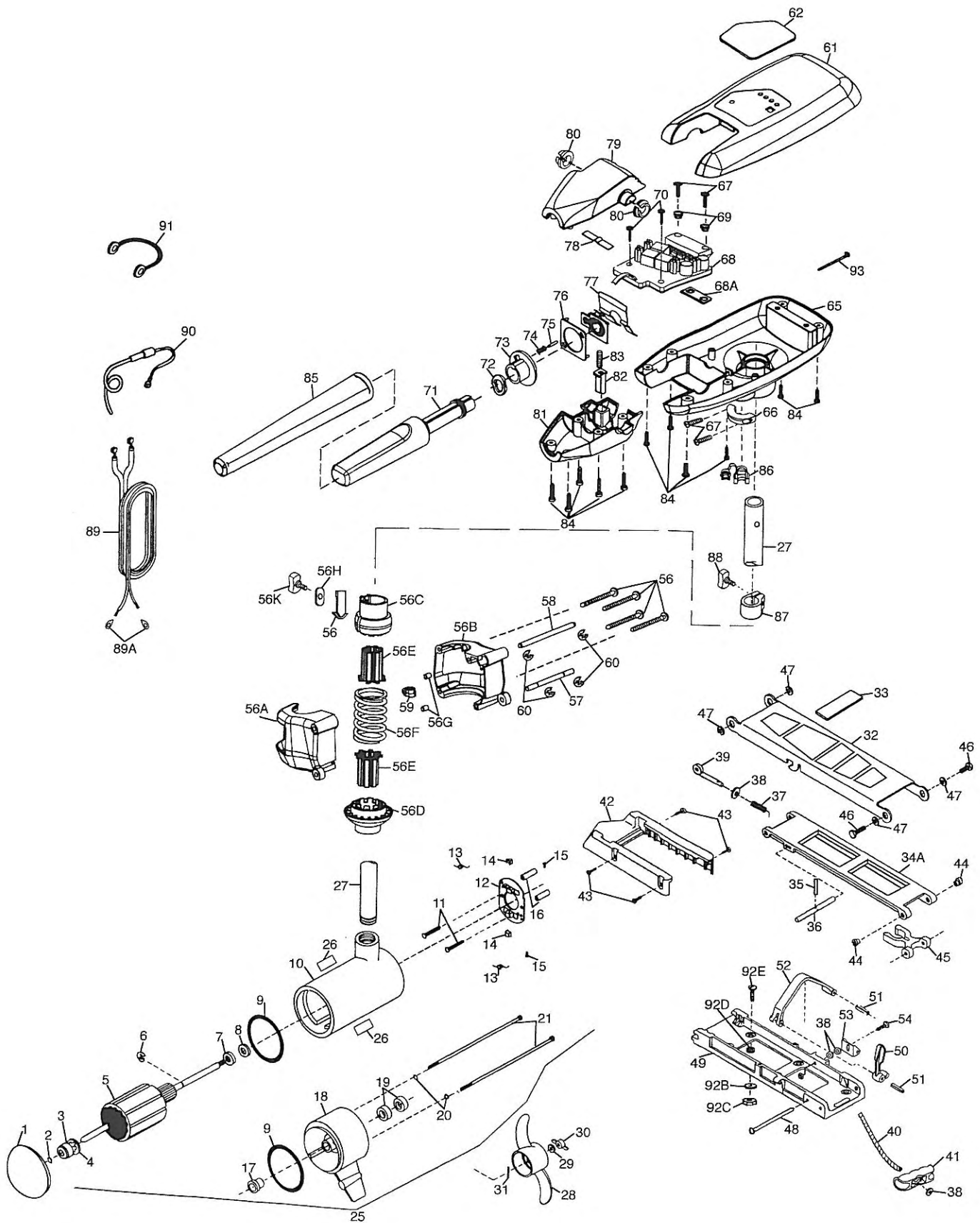


# PARTS DIAGRAM



Item #	Part Number	Description	Item #	Part Number	Description
1	409-025	Front Endbell	53	226-1910	Bracket Hold Down Strap
2	406-050	Thrust Disc	54	226-3440	Screw
3	409-600	Spherical Bearing	55	233-3101	Nut Hex
4	409-301	Bearing Retainer	56	277-1933	Bow Guard Assembly (Includes #56A-56K)
5	410-204	Armature Assembly (RT 3.1/B)	*56A	226-1923	Bracket Base-Left
5	410-205	Armature Assembly (RT 4.3/B)	*56B	226-1933	Bracket Base-Right
6	409-300	E-Ring	*56C	226-1520	Spring Sleeve-Upper
7	409-170	Thrust Washer (steel)	*56D	226-1530	Spring Sleeve-Lower
8	409-171	Thrust Washer (nylon)	*56E	226-4700	Insert Tube (2 req'd)
9	409-460	O-Ring (2 req'd)	*56F	226-2700	Spring-Breakaway
10	409-258	Center Section w/Magnets	*56G	226-7310	Bushing-Dowel (2 req'd)
11	405-341	Brush Plate Screw (2 req'd)	56H	226-3101	Nut Insert
12	409-301	Brush Plate Assembly	56I	226-2800	Tension Block
13	406-083	Brush Spring (2 req'd)	*56J	226-3470	Screw (4 req'd)
14B	409-072	Brush Assembly-Black (42")	56K	201-1386	Screw Tension
14B	409-074	Brush Assembly-Black (48")	57	226-0530	Hinge Pin-Lower
14R	409-071	Brush Assembly-Red (42")	58	226-0520	Hinge Pin-Upper
14R	409-073	Brush Assembly-Red (48")	59	226-2310	Guide-Rope
15	409-343	Brush Set Screw (2 req'd)	60	226-3011	E-Ring (4 req'd)
16	405-341	Brush Plate Spacer (2 req'd)	61	230-0227	Control Box Cover
17	409-000	Flange Bearing	62	219-5625	Decal-Cover (RT 3.1/B)
18	409-034	Rear Endbell	62	219-5635	Decal-Cover (RT 4.3/B)
19	409-461	Seal (2 req'd)	65	206-2582	Control Box
20	409-462	O-Ring (Thru Bolt) (2 req'd)	66	206-1510	Collar-Control Box
21	409-352	Thru Bolt ( req'd)	67	237-2100	Screw (4 req'd)
25	233-7080	Motor Assembly Complete (42") (RT 3.1/B)	68	233-4005	Control Board Assembly (RT 3.1/B)
25	233-7081	Motor Assembly Complete (48") (RT 3.1/B)	68	234-4005	Control Board Assembly (RT 4.3/B)
25	231-7040	Motor Assembly Complete (42") (RT 4.3/B)	68A	236-5105	Insulating Pad
25	231-7041	Motor Assembly Complete (48") (RT 4.3/B)	69	230-1710	Washer-Insulated (2 req'd)
26	206-6649	Decal (2 req'd)	70	230-1310	Screw (2 req'd)
27	203-2053	Tube 42"	71	299-0915	Handle Assembly
27	203-2054	Tube 48" (Optional)	72	230-2741	Spring-Cam
28	233-1120	Propeller	73	230-2850	Actuator-Cam
29	209-1700	Lockwasher	74	230-2740	Spring-Actuator
30	209-3100	Nut-Prop	75	230-2600	Pin-Actuator
31	209-2600	Pin-Drive	76	230-2851	Actuator Fwd/Rev
	299-1959	Bow Guard Bow Mount Assembly	77	230-2743	Spring Detent
32	226-4203	Arm-Upper	78	230-2742	Spring Detent (Off)
33	226-5120	Bumper	79	206-0411	Handle (Top Half)
34	277-4303	Arm-Lower Assembly (Includes #34A-41)	80	206-0005	Bearing-Handle Pivot (2 req'd)
*34A	225-4323	Arm-Lower (Order Item #34)	81	206-0415	Handle (Lower Half)
35	215-2610	Spring Pin	82	230-3720	Release Button
36	223-3601	Lock Bar	83	230-2745	Spring-Release Button
37	215-2701	Spring	84	230-3412	Screw (11 req'd)
38	215-1700	Washer-Eye Shaft (4 req'd)	85	206-0425	Handle (Extension)
39	215-3601	Eye Shaft	86	233-2900	Strain Relief
40	225-1600	Rope	87	203-1521	Collar-Drive
41	215-0400	Pull Grip	88	201-1366	Screw-Collar
42	226-3900	Motor Rest	89	233-0600	Leadwire Includes Ring Terminals
43	230-3430	Screw (4 req'd)	89A	209-0700	Replacement Ring Terminals (2 req'd)
44	223-6000	Bearing-Nyliner (2 req'd)	90	206-0310	Ground Wire Fused
45	229-3801	Tube Lock	91	234-0610	Connector Cable (24 Volt Only)(RT 4.3/B)
46	229-3511	Bolt-Upper Arm (2 req'd)	92	299-4812	Bag Assembly (Includes #92A-92D)
47	229-3500	Bushing (4 req'd)	*92A	233-3500	Mounting Bolt (6 req'd)
48	223-0500	Hinge Pin	*92B	233-3102	Mounting Nut (6 req'd)
49	225-1943	Bow Plate	*92C	215-1726	Flat Washer (6 req'd)
50	226-7200	Latch Lever	*92D	230-1720	Mounting Washer-Rubber (6 req'd)
51	226-0500	Pin-Roll Latch Lever (2 req'd)	93	225-6300	Tie Wrap
52	226-3801	Strap Hold Down			

# WIRING DIAGRAM

