

SPECIFICATIONS :

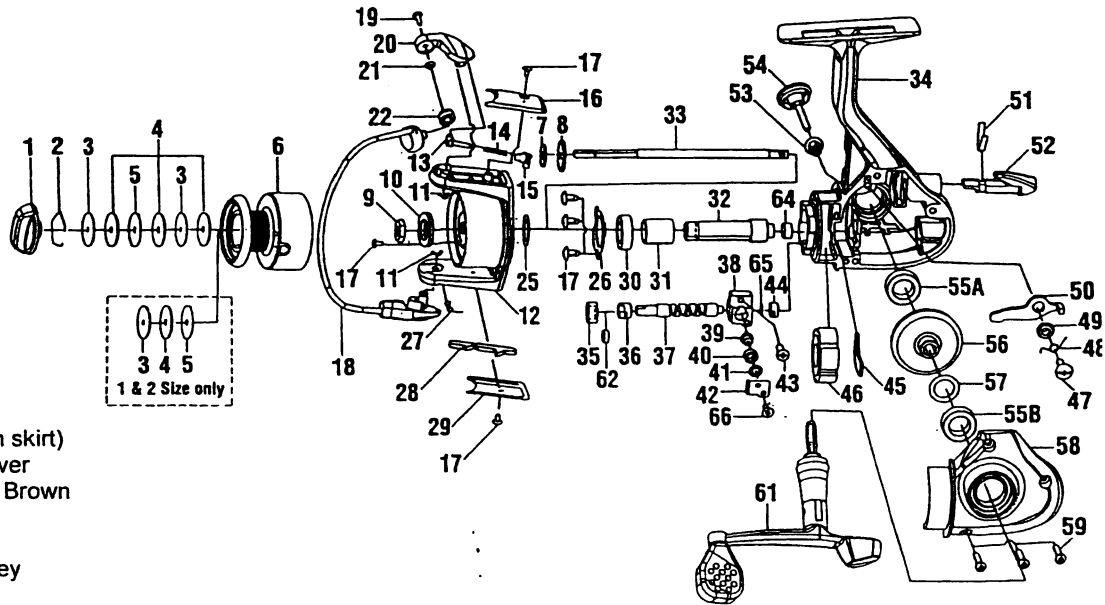
Medium Light Freshwater
 120 yds / 8 lb Line Capacity
 5.8:1 Gear Ratio
 10.8 oz.
 Bearings:

E7-4 - 6 BB; 1 RB
 E5-4 - 4 BB; 1 RB
 E3-4 - 2 BB; 1 RB
 E2-4 - 1 BB; 1 RB

FEATURES :

Front Drag
 Tru-Balanced Rotor
 Balanced Handle
 Twist Reducer Line Roller
 Selective Continuous A/R
 Worm Gear Oscillation
 Spare Alum. Spool (E7-4 / E7-4A)
 Alum. Spool ("A" models w/ holes in skirt)
 Color:

E7-4 - Light Silver
 E7-4A - Medium Brown
 E5-4 - Cream
 E5-4A - White
 E3-4 - Dark Grey
 E2-4 - Black



Key No.	E7-4 / A	E5-4 / A	E3-4	E2-4	Description	Price	Key No.	E7-4 / A	E5-4 / A	E3-4	E2-4	Description	Price
1	GH332-02	GH332-01	GH332-02	GH332-03	Drag Knob	2.97	34	GH301-04	GH301-01	GH301-02	GH301-03	Body Assy.	13.00
1 ▽	GH332-11	GH332-10			Drag Knob	2.97	34 ▽	GH301-08	GH301-07	N/A	N/A	Body Assy.	13.00
2	AQ038-01		←	←	Drag Retainer	0.32	35	GH200-01	←	←	←	Level Wind Gear	1.70
3	TU080-01	←	←	←	Drag Washer "D"	1.16	36	N/A	TU202-01	←	←	Wm Shft Bushng (L)	0.30
4	GH033-01	←	←	←	Drag Washer "B"	2.68	36	GH202-01	N/A	N/A	N/A	Wm Shft Bearing (L)	7.60
5	TU081-01	←	←	←	Drag Washer "A"	1.16	37	TU201-01	←	←	←	Worm Shaft	2.40
6	GH321-04	GH321-01	GH321-02	GH321-03	Spool Asy.	7.21	38	△ GH204-01	←	←	←	Pawl Holder	3.20
6 ▽	GH321-10	←	N/A	N/A	Spool Asy.	7.21	39	TU207-01	←	←	←	Pawl	2.50
7	TU030-01	←	←	←	Click Gear Washer	0.96	40	UQ208-03	←	←	←	Pawl Collar	0.30
8	TU037-01	←	←	←	Click Gear Washer	1.22	41	△ RU209-01	←	←	←	Pawl Washer	0.30
9	RU006-01	←	←	←	Rotor Nut	0.93	42	△ FH205-01	←	←	←	Pawl Holder Retainer	1.00
10	TL065-01	←	←	←	Rotor "D" Washer	1.16	43	UQ100-03	←	←	←	Main Shaft Screw	0.40
11	GH034-01	←	←	←	E-Clip	0.32	44	N/A	GH203-01	←	←	Wm Shft Bushng (Rt)	0.30
12	GH009-04	GH009-01	GH009-02	GH009-03	Rotor	7.85	44	GH202-02	N/A	N/A	N/A	Wm Shft Bearing (Rt)	7.60
12 ▽	GH009-12	GH009-11	N/A	N/A	Rotor	7.85	45	TU206-01	←	←	←	Worm Shaft Retainer	1.60
13	QL031-01	←	←	←	Bail Spring Shaft	0.27	△ 46	GH074-01	←	←	←	Clutch Bearing	11.00
14	KQ049-05	←	←	←	Bail Spring	0.32	46	RU074-01	→ → → Use GH074-01 (clutch bearing) & TU052-01 (bearing sleeve)				
15	QL020-01	←	←	←	Bail Spring Holder	0.32	47	GH077-01	←	←	←	A/R Pawl Screw	0.30
16	GH087-04	GH087-01	GH087-02	GH087-03	Arm Lvr Spring Cvr	2.67	48	TU061-01	←	←	←	A/R Pawl Spring	0.30
16 ▽	GH087-11	GH087-10	N/A	N/A	Arm Lvr Spring Cvr	2.67	49	TU091-01	←	←	←	A/R Pawl Post	1.20
17A	UQ057-01	←	←	←	Screw	0.32	50	RU063-01	←	←	←	A/R Pawl	1.20
17B	UQ057-03	←	N/A	N/A	Screw	0.32	51	GH089-01	←	←	←	A/R Lever Spring	1.20
18	GH347-04	GH347-01	GH347-02	GH347-03	Bail Assy.	3.92	52	GH090-03	←	GH090-02	←	A/R Lever	2.40
18 ▽	GH347-13	GH347-12	N/A	N/A	Bail Assy.	3.92	52 ▽	GH090-05	GH090-04	N/A	N/A	A/R Lever	2.40
19	AQ108-01	←	←	←	Line Slider Screw	0.31	53	RU105-01	←	←	←	Handle Cap Washer	0.30
20	GH007-04	GH007-01	GH007-02	GH007-03	Arm Lever	2.39	54	ZQ073-01	←	←	←	Handle Cap Screw	1.20
20 ▽	GH007-12	GH007-11	N/A	N/A	Arm Lever	2.39	55A	BL157-01	←	N/A	N/A	Ball Bearing (Body)	5.20
21	GU105-25	←	←	←	Line Roller Washer	0.32	55A	N/A	N/A	GH013-01	←	Bushing (Body)	1.60
22	TU004-02	←	N/A	N/A	L/Roller w/Bearing	6.90	55B	BL157-01	←	←	N/A	B. Brng (Body Cvr)	5.20
23	N/A	N/A	GH016-01	←	Line Roller Bushing	1.16	55B	N/A	N/A	N/A	GH013-01	Bushing (Body Cvr)	1.60
24	N/A	N/A	GH004-02	←	Line Roller	4.69	56	GH012-01	←	←	←	Drive Gear	1.20
25	GU105-12	←	←	←	Rotor Washer	0.32	57	GU105-13	←	←	←	Adjust Washer	0.10
26	TU040-02	←	←	←	Bearing Plate	—	58	GH023-04	GH023-01	GH023-02	GH023-03	Side Cover	5.40
27	GH049-01	←	←	←	Kick Lever Spring	0.32	58 ▽	GH023-08	GH023-07	N/A	N/A	Side Cover	5.40
28	GH019-01	←	←	←	Kick Lever	1.11	59	KQ057-01	←	←	←	Side Cover Screws	0.30
29	GH024-04	GH024-01	GH024-02	GH024-03	Kick Lever Cover	2.76	59 ▽	KQ057-03	←	N/A	N/A	Side Cover Screws	0.30
29 ▽	GH024-12	GH024-11	N/A	N/A	Kick Lever Cover	2.76	61	GH318-03	GH318-01	GH318-02	GH318-03	Handle Asy.	11.00
30	UK028-01	←	←	←	Pinion Ball Bearing	5.57	61 ▽	GH318-07	GH318-06	N/A	N/A	Handle Asy.	11.00
△ 31	TU052-01	→ → → Use TU052-01 (bearing sleeve) & GH074-01 (clutch bearing)	←	←	Bearing Sleeve	2.76	62	GH212-01	N/A	N/A	N/A	Worm Shaft Collar	1.20
31	RU139-01	→ → → Use TU052-01 (bearing sleeve) & GH074-01 (clutch bearing)	←	←	Bearing Sleeve	2.76	64	RU141-01	←	←	←	Pinion Bushing	1.20
32	GH011-01	←	←	←	Pinion Gear	3.55	65	GU105-31	←	←	←	Worm Shaft Washer	0.30
33	TU015-01	←	TU015-02	←	Main Shaft	2.60	66	△ GH123-01	←	←	←	Plate Screw	0.30

▽ = Special parts for E7-4A and E5-4A.

△ = Send Key No.'s 38, 41, 42, and 66 if any of these are ordered.

▲ = Both parts must be shipped together if either one is ordered.

□ = Send Key No.'s 53, 54, and 61 if either part is ordered.