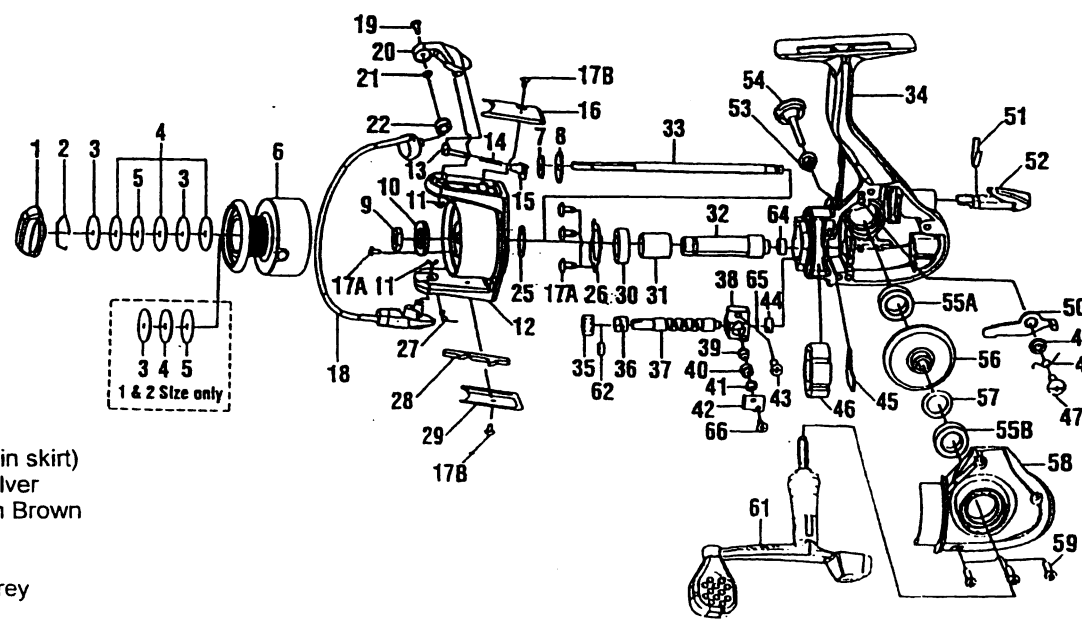


# QUANTUM

## E7-2 / E7-2A / E5-2 / E5-2A / E3-2 / E2-2

**SPECIFICATIONS :**  
 Medium Light Freshwater  
 120 yds / 8 lb Line Capacity  
 5.8:1 Gear Ratio  
 10.8 oz.  
 Bearings: E7-2 - 6 BB; 1 RB  
 E5-2 - 4 BB; 1 RB  
 E3-2 - 2 BB; 1 RB  
 E2-2 - 1 BB; 1 RB

**FEATURES :**  
 Front Drag  
 Tru-Balanced Rotor  
 Balanced Handle  
 Twist Reducer Line Roller  
 Selective Continuous A/R  
 Worm Gear Oscillation  
 Spare Alum. Spool (E7-2 / E7-2A)  
 Alum. Spool ("A" models w/ holes in skirt)  
 Color: E7-2 - Light Silver  
 E7-2A - Medium Brown  
 E5-2 - Cream  
 E5-2A - White  
 E3-2 - Dark Grey  
 E2-2 - Black



Key No.	E7-2 / A	E5-2 / A	E3-2	E2-2	Description	Price
1	FH332-02	FH332-01	FH332-02	FH332-03	Drag Knob	2.97
1	FH332-10	FH332-09	N/A	N/A	Drag Knob	2.97
2	AQ038-01	←	←	←	Drag Retainer	0.32
3	TU080-01	←	←	←	Drag Washer "D"	1.16
4	GH033-01	←	←	←	Drag Washer "B"	2.68
5	TU081-01	←	←	←	Drag Washer "A"	1.16
6	FH321-04	FH321-01	FH321-02	FH321-03	Spool Asy.	7.21
6	FH321-09	←	N/A	N/A	Spool Asy.	7.21
7	TU030-01	←	←	←	Click Gear Washer	0.96
8	TU037-01	←	←	←	Click Gear Washer	1.22
9	RU006-01	←	←	←	Rotor Nut	0.93
10	TL065-01	←	←	←	Rotor "D" Washer	1.16
11	GH034-01	←	←	←	E-Clip	0.32
12	FH009-04	FH009-01	FH009-02	FH009-03	Rotor	7.85
12	FH009-11	FH009-10	N/A	N/A	Rotor	7.85
13	QL031-01	←	←	←	Bail Spring Shaft	0.27
14	KQ049-05	←	←	←	Bail Spring	0.32
15	QL020-01	←	←	←	Bail Spring Holder	0.32
16	FH087-04	FH087-01	FH087-02	FH087-03	Arm Lvr Spring Cvr	2.67
16	FH087-11	FH087-10	N/A	N/A	Arm Lvr Spring Cvr	2.67
17A	UQ057-01	←	←	←	Screw	0.32
17B	UQ057-03	←	N/A	N/A	Screw	0.32
18	FH347-04	FH347-01	FH347-02	FH347-03	Bail Assy.	3.92
18	FH347-12	FH347-11	N/A	N/A	Bail Assy.	3.92
19	AQ108-01	←	←	←	Line Slider Screw	0.31
20	ZQ007-04	ZQ007-01	ZQ007-02	ZQ007-03	Arm Lever	2.39
20	ZQ007-11	ZQ007-10	N/A	N/A	Arm Lever	2.39
21	GU105-25	←	←	←	Line Roller Washer	0.32
22	TU004-02	←	N/A	N/A	L/Roller w/Bearing	6.90
23	N/A	N/A	GH016-01	←	Line Roller Bushing	1.16
24	N/A	N/A	GH004-02	←	Line Roller	4.69
25	GU105-12	←	←	←	Rotor Washer	0.32
26	N/A	N/A	N/A	N/A	Bearing Plate	—
27	GH049-01	←	←	←	Kick Lever Spring	0.32
28	FH019-01	←	←	←	Kick Lever	1.11
29	FH024-04	FH024-01	FH024-02	FH024-03	Kick Lever Cover	2.76
29	FH024-11	FH024-10	N/A	N/A	Kick Lever Cover	2.76
30	BL157-01	←	←	←	Pinion Ball Bearing	5.57
31	TU052-01	←	←	←	Bearing Sleeve	2.76
31	RU139-01	→→→ Use TU052-01 (bearing sleeve) & GH074-01 (clutch bearing)				
32	FH011-01	←	←	←	Pinion Gear	3.55
33	FH015-01	←	←	←	Main Shaft	2.60

Key No.	E7-2 / A	E5-2 / A	E3-2	E2-2	Description	Price
34	FH301-07	FH301-01	FH301-02	FH301-03	Body Assy.	1
34	FH301-12	FH301-11	N/A	N/A	Body Assy.	1
35	FH200-01	←	←	←	Level Wind Gear	1
36	N/A	TU202-01	←	←	Wm Shft Bushng (L)	0
36	GH202-01	N/A	N/A	N/A	Wm Shft Bearing (L)	7
37	FH201-01	←	←	←	Worm Shaft	2
38	ZQ204-01	←	←	←	Pawl Holder	3
39	TU207-01	←	←	←	Pawl	2
40	UQ208-03	←	←	←	Pawl Collar	0
41	RU209-01	←	←	←	Pawl Washer	C
42	FH205-01	←	←	←	Pawl Holder Retainer	1
43	UQ100-03	←	←	←	Main Shaft Screw	0
44	N/A	GH203-01	←	←	Wm Shft Bushng (Rt)	0
44	GH202-02	N/A	N/A	N/A	Wm Shft Beang (Rt)	7
45	TU206-01	←	←	←	Worm Shaft Retainer	1
46	GH074-01	←	←	←	Clutch Bearing	1
46	RU074-01	→→→ Use GH074-01 (clutch bearing) & TU052-01 (bearing sleeve)				
47	GH077-01	←	←	←	A/R Pawl Screw	0
48	TU061-01	←	←	←	A/R Pawl Spring	0
49	TU091-01	←	←	←	A/R Pawl Post	1
50	TU063-01	←	←	←	A/R Pawl	1
51	GH089-01	←	←	←	A/R Lever Spring	1
52	GH090-03	←	GH090-02	←	A/R Lever	2
52	GH090-05	GH090-04	N/A	N/A	A/R Lever	2
53	RU105-01	←	←	←	Handle Cap Washer	0
54	ZQ073-01	←	←	←	Handle Cap Screw	1
55A	BL157-01	←	N/A	N/A	Ball Bearing (Body)	5
55A	N/A	N/A	GH013-01	←	Bushing (Body)	1
55B	BL157-01	←	←	N/A	B. Bearing (Body Cvr)	5
55B	N/A	N/A	N/A	GH013-01	Bushing (Body Cvr)	1
56	FH012-01	←	←	←	Drive Gear	1
57	GU105-13	←	←	←	Adjust Washer	0
58	FH023-07	FH023-01	FH023-02	FH023-03	Side Cover	5
58	FH023-11	FH023-10	N/A	N/A	Side Cover	5
59	KQ057-01	←	←	←	Side Cover Screws	0
59	KQ057-03	←	N/A	N/A	Side Cover Screws	0
61	FH318-03	FH318-01	FH318-02	FH318-03	Handle Asy.	11
61	FH318-06	FH318-05	N/A	N/A	Handle Asy.	11
62	GH212-01	N/A	N/A	N/A	Worm Shaft Collar	1
64	RU141-01	←	←	←	Pinion Bushing	1
65	GU105-31	←	←	←	Worm Shaft Washer	0
66	GH123-01	←	←	←	Plate Screw	0

↖ = Special parts for E7-2A and E5-2A.

△ = Send Key No.'s 38, 41, 42, and 66 if any of these are ordered.

□ = Send Key No.'s 53, 54, and 61 if either part is ordered.

▲ = Both parts must be shipped together if either one is ordered.