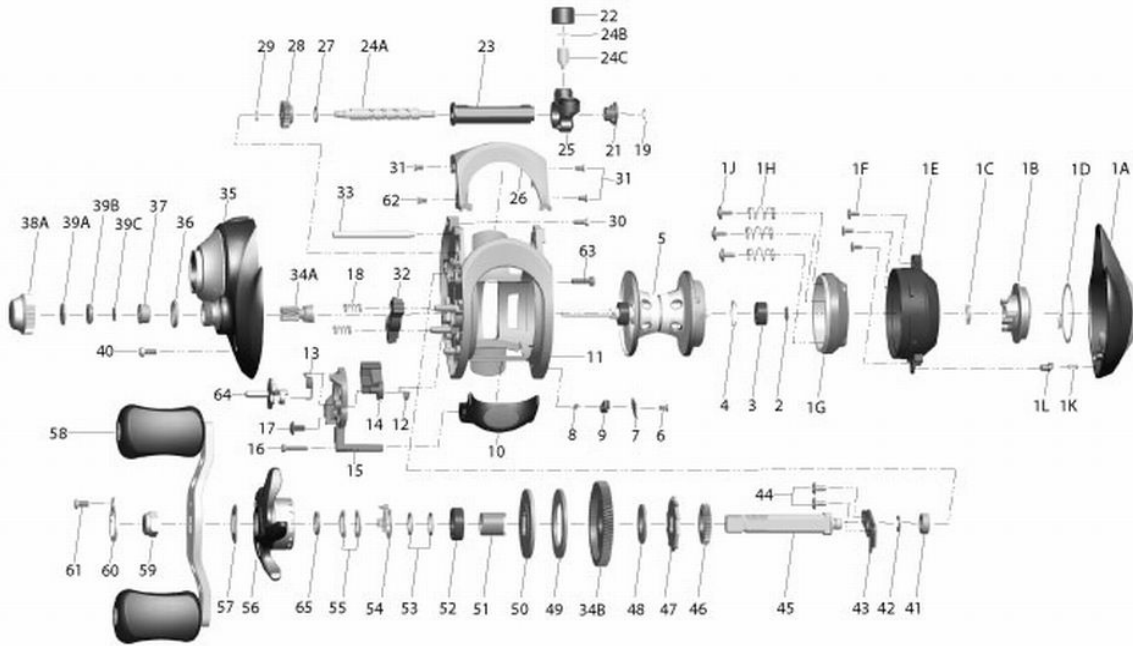


QUANTLM[®]

Code
CD871CX



Quantum Code CD871CX Bait Cast Reel Part List

Key #	Description	Part No.	Key #	Description	Part No.
1	Palm Side Cover Kit	LW4023-01	29	Worm Shaft E-Clip (Gear Side)	NX090-01
1A	Palm Side Cover Assembly	N/A	30	Gear Side Cover Screw "B"	LW123-01
1B	Cast Control Dial	N/A	31	Front Support Screw "A"	KW107-01
1C	Control Dial Clicker Spring	N/A	32	Pinion Yolk	LW025-01
1D	Control Dial Washer	N/A	33	Pillar	KW061-01
1E	Spool Cover	N/A	34	Gear Kit	KW4011-02
1F	Spool Cover Screw	N/A	34A	Pinion Gear	N/A
1G	Brake Ring Assembly	N/A	34B	Drive Gear	N/A
1H	Brake Ring Spring	N/A	35	Gear Side Cover Assembly	LW324-01
1J	Brake Ring Screw	N/A	36	Spool Tension Knob O-Ring	QW101-01
1K	Side Cover Locking Pin Spring	N/A	37	Spool Tension Knob Bearing	SW117-01
1L	Side Cover Locking Pin	N/A	38	Spool Tension Knob Kit	KW4033-01
2	Spool Shaft Washer (Palm Side)	N/A	38A	Spool Tension Knob	N/A
3	Spool Shaft Ball Bearing (Palm Side)	N/A	39	Spool Tension Washer Kit	N/A
4	Bearing Clip Ring	N/A	39A	Spool Tension Washer Kit	QW4032-01
5	Spool Shaft Washer (Palm Side)	QW032-04	39B	Spool Cushion Washer	N/A
6	Spool Shaft Ball Bearing (Palm Side)	QV017-01	39C	Spool Tension Collar	N/A
7	Bearing Clip Ring	HV080-01	40	Spool Tension Washer	N/A
8	Spool Assembly	LW321-01	41	Gear Side Cover Screw "A"	BV123-01
9	Locking Lever Retainer Screw	KW107-01	42	Crank Shaft Bearing (Frame Side)	SW017-01
10	Locking Lever Retainer	LW056-01	43	Crank Shaft E-Clip	QW120-01
11	Locking Lever Spring	KW096-01	44	Crank Shaft Retainer Plate	LW002-01
12	Locking Lever	LW119-01	45	Crank Shaft Retainer Plate Screw	QW125-02
13	Thumb Bar Assembly	LW309-02	46	Crank Shaft	LW008-01
14	Frame	N/A	47	Worm Shaft Drive Gear	ZW112-01
15	Kick Lever Spring	LW097-01	48	Trip Ratchet	KW083-01
16	Release Slider Spring	LW104-01	49	Trip Ratchet Washer	QW111-01
17	Kick Lever	LW077-01	50	Drag Washer	UX059-01
18	Release Slider	LW039-01	51	Drag Key Washer	KW045-01
19	Thumb Bar Screw	ZW053-01	52	One Way Clutch Sleeve	KW052-01
20	Release Slider Screw	KW125-01	53	Crank Shaft Bearing (Handle Side)	TW058-02
21	Pinion Yolk Spring	KW040-01	54	Star Drag Washer "A"	KW032-01
22	Worm Shaft E-Clip (Palm Side)	NX090-01	55	Star Drag Clicker Spring Assembly	ZW4114
23	Worm Shaft Washer (Palm Side)	KW038-01	56	Star Drag Spring Washer	JX046-01
24	Worm Shaft Bushing	KW067-01	57	Star Drag Assembly	LW355-02
24A	Line Guide Pawl Screw	KW007-01	58	Handle Spring Washer	QW054-01
24B	Worm Shaft Guide	KW016-01	59	Handle Assembly	KW318-01
24C	Worm Shaft Kit	KW4072-01	60	Handle Nut	KW003-01
25	Line Guide Pawl	N/A	61	Handle Nut Retainer	KW034-01
26	Line Guide Carrier Assembly	KW347-03	62	Front Support Screw "B"	KW057-01
27	Front Support	LW099-01	63	Gear Side Cover Screw "C"	KW123-01
28	Worm Shaft Washer (Gear Side)	KW035-01	64	Flippin' Lever	LW087-01
	Worm Shaft Pinion Gear	HV085-01	65	Star Drag Washer "B"	KW032-02