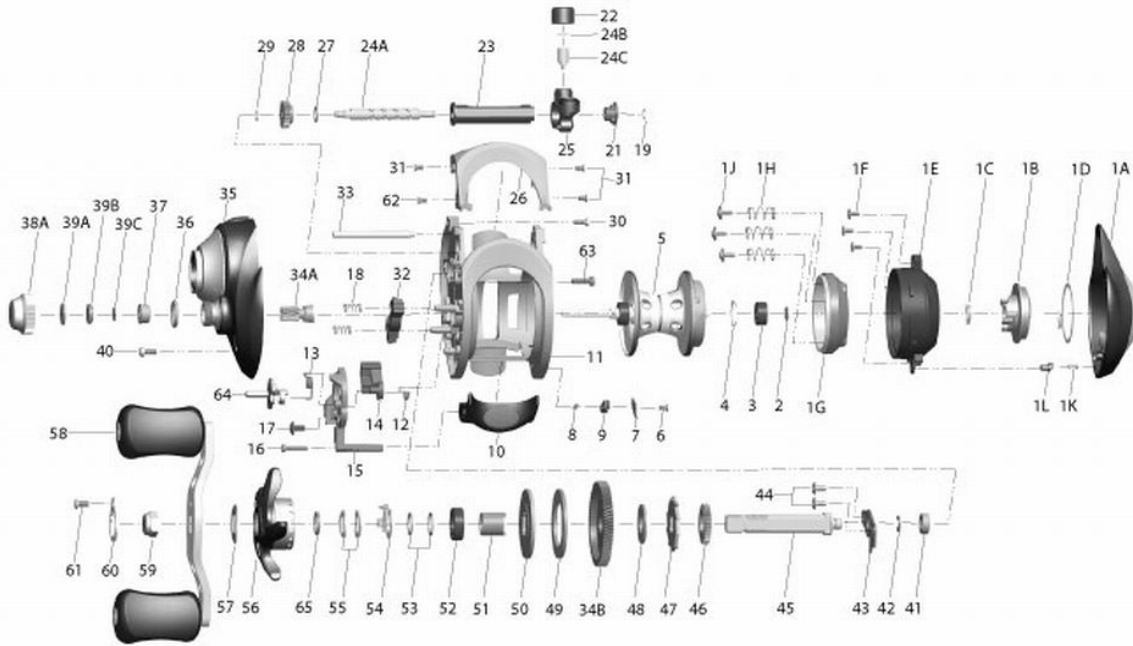


QUANTUM[®]

Code
CD861CX



Quantum Code CD861CX Bait Cast Reel Part List

Key #	Description	Part No.	Key #	Description	Part No.
1	Palm Side Cover Kit	LW4023-02	29	Worm Shaft E-Clip (Gear Side)	NX090-01
1A	Palm Side Cover Assembly	N/A	30	Gear Side Cover Screw "B"	LW123-01
1B	Cast Control Dial	N/A	31	Front Support Screw "A"	KW107-01
1C	Control Dial Clicker Spring	N/A	32	Pinion Yolk	LW025-01
1D	Control Dial Washer	N/A	33	Pillar	KW061-01
1E	Spool Cover	N/A	34	Gear Kit	LW4011-02
1F	Spool Cover Screw	N/A	34A	Pinion Gear	N/A
1G	Brake Ring Assembly	N/A	34B	Drive Gear	N/A
1H	Brake Ring Spring	N/A	35	Gear Side Cover Assembly	LW324-02
1J	Brake Ring Screw	N/A	36	Spool Tension Knob O-Ring	QW101-01
1K	Side Cover Locking Pin Spring	N/A	37	Spool Tension Knob Bearing	SW117-01
1L	Side Cover Locking Pin	N/A	38	Spool Tension Knob Kit	KW4033-01
2	Spool Shaft Washer (Palm Side)	N/A	38A	Spool Tension Knob	N/A
3	Spool Shaft Ball Bearing (Palm Side)	N/A	39	Spool Tension Washer Kit	N/A
4	Bearing Clip Ring	N/A	39	Spool Tension Washer Kit	QW4032-01
2	Spool Shaft Washer (Palm Side)	QW032-04	39A	Spool Cushion Washer	N/A
3	Spool Shaft Ball Bearing (Palm Side)	QV017-01	39B	Spool Tension Collar	N/A
4	Bearing Clip Ring	HV080-01	39C	Spool Tension Washer	N/A
5	Spool Assembly	LW321-02	40	Gear Side Cover Screw "A"	BV123-01
6	Locking Lever Retainer Screw	KW107-01	41	Crank Shaft Bearing (Frame Side)	SW017-01
7	Locking Lever Retainer	LW056-01	42	Crank Shaft E-Clip	QW120-01
8	Locking Lever Spring	KW096-01	43	Crank Shaft Retainer Plate	LW002-01
9	Locking Lever	LW119-01	44	Crank Shaft Retainer Plate Screw	QW125-02
10	Thumb Bar Assembly	LW309-02	45	Crank Shaft	LW008-01
11	Frame	N/A	46	Worm Shaft Drive Gear	ZW112-01
12	Kick Lever Spring	LW097-01	47	Trip Ratchet	KW083-01
13	Release Slider Spring	LW104-01	48	Trip Ratchet Washer	QW111-01
14	Kick Lever	LW077-01	49	Drag Washer	UX059-01
15	Release Slider	LW039-01	50	Drag Key Washer	KW045-01
16	Thumb Bar Screw	ZW053-01	51	One Way Clutch Sleeve	KW052-01
17	Release Slider Screw	KW125-01	52	Crank Shaft Bearing (Handle Side)	TW058-02
18	Pinion Yolk Spring	KW040-01	53	Star Drag Washer "A"	KW032-01
19	Worm Shaft E-Clip (Palm Side)	NX090-01	54	Star Drag Clicker Spring Assembly	ZW4114
20	Worm Shaft Washer (Palm Side)	KW038-01	55	Star Drag Spring Washer	JX046-01
21	Worm Shaft Bushing	KW067-01	56	Star Drag Assembly	LW355-02
22	Line Guide Pawl Screw	KW007-01	57	Handle Spring Washer	QW054-01
23	Worm Shaft Guide	KW016-01	58	Handle Assembly	KW318-02
24	Worm Shaft Kit	KW4072-01	59	Handle Nut	KW003-01
24A	Worm Shaft	N/A	60	Handle Nut Retainer	KW034-02
24B	Line Guide Pawl Washer	N/A	62	Front Support Screw "B"	KW057-01
24C	Line Guide Pawl	N/A	63	Gear Side Cover Screw "C"	KW123-01
25	Line Guide Carrier Assembly	KW347-03	64	Flippin' Lever	LW087-01
26	Front Support	LW099-01	65	Star Drag Washer "B"	KW032-02
27	Worm Shaft Washer (Gear Side)	KW035-01			
28	Worm Shaft Pinion Gear	HV085-01			