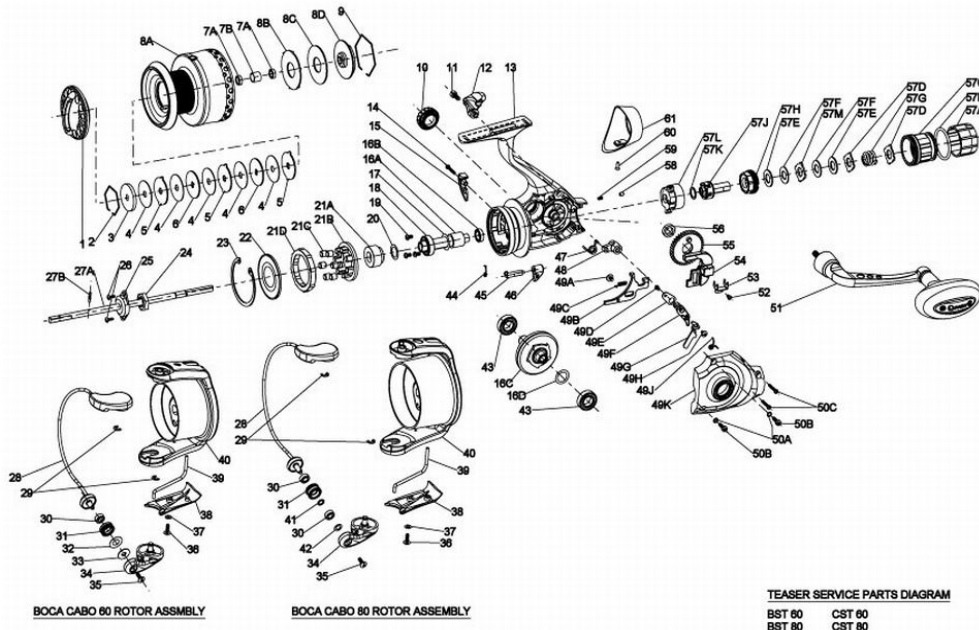




Boca PT Bait Teaser

BST80PTs



Quantum Boca BST80PTs Bait Teaser Reel Part List					
Key #	Description	Part No.	Key #	Description	Part No.
1	DRAG KNOB ASSEMBLY	NT332-01	33	LINE ROLLER COLLAR	N/A
2	SPOOL RETAINER - TOP	BT038-02	34	ARM LEVER ASSEMBLY	BT407-03
3	DRAG WASHER "C"	CT080-02	35	SCREW - LINE SLIDER	AQ108-01
4	DRAG WASHER "B" - FRICTION	BT033-01	36	ARM LEVER COVER SCREW	GU077-02
5	DRAG WASHER "A"	BT081-01	37	ARM LEVER COVER WASHER	SQ142-01
6	DRAG WASHER "D"	BT080-01	38	ARM LEVER COVER	DT087-01
7	SPOOL BUSHING OR BEARING KIT	BT4160-01	39	KICK LEVER	DT019-01
7-A	7A - SPOOL BUSHING OR BEARING (2)	N/A	40	ROTOR ASSEMBLY	N/A
7-B	7B - SPOOL SPACER	N/A	41	SPACER	DT167-01
8	SPOOL ASSEMBLY KIT	ET4321-02	42	LINE ROLLER WASHER	DT229-01
8-A	8A - SPOOL ASSEMBLY	N/A	43	CRANK BEARING (2)	BT157-01
2	2 - SPOOL RETAINER - TOP	N/A	44	ANTI-REVERSE CAM SPRING	N/A
3	3 - DRAG WASHER "C"	N/A	45	ANTI REVERSE CAM	N/A
4	4 - DRAG WASHER "B" (5) - FRICTION	N/A	46	ANTI REVERSE LEVER	N/A
5	5 - DRAG WASHER "A" (3)	N/A	47	SPRING - LEVER	MT216-01
6	6 - DRAG WASHER "D" (2)	N/A	48	PIN - LEVER	NT113-01
7	7 - SPOOL BUSHING OR BEARING KIT	N/A	49	BODY COVER KIT	NT4023-01
8-B	8B - SPOOL WASHER	N/A	49-A	49A - SCREW	N/A
8-C	8C - DRAG WASHER "E"	N/A	49-B	49B - PAWL	N/A
8-D	8D - DRAG CLICK ASSEMBLY	N/A	49-C	49C - SPRING - PAWL	N/A
9	9 - SPOOL RETAINER - BOTTOM	N/A	49-D	49D - SCREW	N/A
9	SPOOL RETAINER - BOTTOM	BT038-01	49-E	49E - RETAINER PLATE	N/A
10	HANDLE CAP	BT373-01	49-F	49F - PIVOT PIN	N/A
11	SCREW - LEVER	MT106-01	49-G	49G - TRIP LINK	N/A
12	LEVER - FREE SPOOL	MT112-01	49-H	49H - SCREW	N/A
13	BODY ASSEMBLY	NT301-01	49-J	49J - SPRING - TRIP LINK	N/A
14	SCREW - TRIP RAMP	BT136-01	49-K	49K - BODY COVER	N/A
15	TRIP RAMP	NT243-01	50	BODY COVER SCREW KIT	MT4057-01
16	GEAR KIT	MT4011-02	50-A	50A - SCRATCH PROTECT WASHER (2)	N/A
16-A	16A - PINION GEAR	N/A	50-B	50B - BODY COVER SCREW (2)	N/A
16-B	16B - PINION BEARING/BUSHING	N/A	50-C	50C - BODY SCREW (2)	N/A
16-C	16C - DRIVE GEAR ASSEMBLY	N/A	51	HANDLE ASSY	NT318-01
16-D	16D - D.GEAR ADJUST WASHER	N/A	52	SCREW	MT111-01
17	PINION GEAR WASHER	BT110-01	53	SLIDER RETAINER	NT078-01
18	PINION BALL BEARING	DT157-01	54	OSCILLATOR SLIDER	NT025-01
19	SCREW (3)	TK057-01	55	OSCILLATOR GEAR	DT053-01
20	WASHER	MT110-01	56	OSCILLATOR GEAR BUSHING	BT158-01
21	CLUTCH ASSEMBLY KIT	UK4363-02	57	BAIT DRAG ASSEMBLY KIT	MT4338-01
21-D	21D - CLUTCH LOCK RING	N/A	57-A	57A - BAIT DRAG COVER	N/A
21-C	21C - CLUTCH ROLLER (7)	N/A	57-B	57B - O RING	N/A
21-B	21B - CLUTCH RETAINER	N/A	57-C	57C - BAIT DRAG KNOB	N/A
21-A	21A - CLUTCH SLEEVE	N/A	57-D	57D - WASHER - TABBED (2)	N/A
22	CLUTCH SEAL	DT166-01	57-E	57E - WASHER - FRICTION (2)	N/A
23	RETAINER RING - CLUTCH SEAL	DT060-01	57-F	57F - WASHER - KEYED (2)	N/A
24	ROTOR NUT	BT006-01	57-G	57G - COMPRESSION SPRING	N/A
25	MAIN SHAFT BUSHING	DT214-01	57-H	57H - ADJUSTMENT SCREW - BAIT DRAG	N/A
26	ROTOR NUT LOCK SCREW (2)	RQ094-01	57-J	57J - DRIVE ASSEMBLY	N/A
27	MAIN SHAFT KIT	NT4015-01	57-K	57K - WASHER - FRICTION	N/A
27-A	27A - MAIN SHAFT	N/A	57-L	57L - HOUSING - BAIT DRAG	N/A
27-B	27B - MAIN SHAFT PIN	N/A	57-M	57M - WASHER - TABBED (1)	N/A
28	BAIL ASSEMBLY	DT347-02	58	BUTTON - BAIT CLICKER	HT149-01
29	E-CLIP - BAIL ASSEMBLY (2)	GH034-01	59	SPRING - BAIT CLICKER	MT083-01
30	LINE ROLLER BEARING	DT202-01	60	SCREW - REAR COVER	MT168-01
31	LINE ROLLER	TK004-02	61	REAR COVER	NT250-01
32	LINE ROLLER WASHER	N/A			