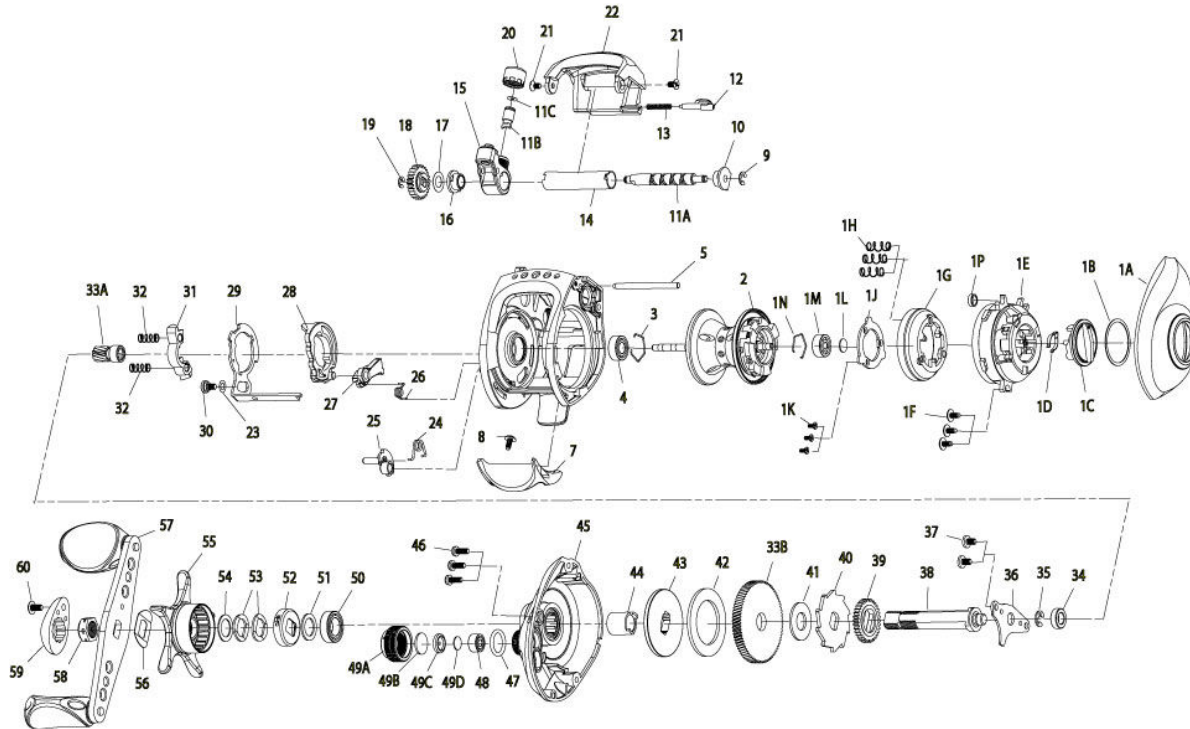


QUANTUM[®]

AC101HPT



| Quantum AC101HPT Bait Cast Reel Part List | | | | | | |
|---|--|----------------|-----------------------------------|---------------------------------|----------------|----------|
| Key # | Description | Part No. | Key # | Description | Part No. | |
| 1 | Palm Side Cover Kit include | BB4023-01 | 26 | Kick Lever Spring | MX097-01 | |
| | 1A - Palm Side Cover Assembly | N/A | 27 | Kick Lever | FW077-01 | |
| | 1B - Centrifugal Dial Washer | N/A | 28 | Release Slider | BB039-01 | |
| | 1C - Centrifugal Dial Assembly | N/A | 29 | Release Slider Link | BB036-01 | |
| | 1D - Centrifugal Dial Spring | N/A | 30 | Release Slider Link Screw | AB125-01 | |
| | 1E - Spool Cover | N/A | 31 | Pinion Yoke | BB025-01 | |
| | 1F - Spool Cover Screw | N/A | 32 | Yoke Spring | GX040-01 | |
| | 1G - Brake Ring Assembly | N/A | 33 | Gear Kit Include | VX4011-02 | |
| | 1H - Brake Ring Slider Spring | N/A | 33A - Pinion Gear Assembly | N/A | | |
| | 1J - Brake Ring Slider Spring Retainer | N/A | 33B - Drive Gear | N/A | | |
| | 1K - Brake Ring Spring Retainer Screw | N/A | 34 | Crank Shaft Ball Bearing - A | SW017-01 | |
| | 1L - Spool Tension Shim | N/A | 35 | E-Clip | QW120-01 | |
| | 1M - Spool Shaft Ball Bearing - Palm | N/A | 36 | Crank Shaft Retainer | DW002-01 | |
| | 1N - Clip Ring | N/A | 37 | Crank Shaft Retainer Screw | JX107-02 | |
| | 1P - Collar-Screw | N/A | 38 | Crank Shaft | DW008-04 | |
| | 2 | Spool Assembly | EW321-06 | 39 | O/S Drive Gear | DW112-01 |
| | 3 | Clip Ring | EX080-01 | 40 | Trip Ratchet | DW083-02 |
| 4 | Spool Shaft Ball Bearing - Gear | EX017-02 | 41 | Trip Ratchet Washer | QW111-01 | |
| 5 | Stabilizer Bar - A | DW061-02 | 42 | Drag Disc | UX059-01 | |
| 6 | Frame | N/A | 43 | Drag Washer | DW045-01 | |
| 7 | Thumb Bar | BB009-01 | 44 | One Way Clutch Sleeve | UX052-01 | |
| 8 | Thumb Bar Screw | CW125-01 | 45 | Gear Side Cover Assembly | BB324-02 | |
| 9 | E-Clip | NX092-01 | 46 | Gear Side Cover Screw | BV123-03 | |
| 10 | Bearing Retainer | AB067-01 | 47 | Tension Knob O-Ring | QW101-01 | |
| 11 | Worm Shaft Kit include | HV4072-01 | 48 | Tension Knob Ball Bearing | SW117-01 | |
| | 11A - Worm Shaft | N/A | 49 | Spool Tension Knob Kit Include | DW4033-06 | |
| | 11B - Line Guide Pawl | N/A | 49A - Spool Tension Knob Assembly | DW333-06 | | |
| | 11C - Line Guide Carrier Washer | N/A | 49B - Spool Cushion Washer | N/A | | |
| | | | | 49C - Spool Tension Collar | N/A | |
| 12 | Side Cover Locking Lever | TX119-02 | 49D - Spool Tension Washer | N/A | | |
| 13 | Side Cover Locking Lever Spring | ZW096-01 | 50 | Crank Shaft Ball Bearing - B | TW058-01 | |
| 14 | Worm Shaft Guide | DW016-02 | 51 | Crank Shaft Ball Bearing Washer | TW035-02 | |
| 15 | Line Guide Carrier | DW047-03 | 52 | Drag Click Spring Assembly | YX4114-01 | |
| 16 | Worm Shaft Bushing - Gear Side | DW068-01 | 53 | Drag "D" Washer | JX046-01 | |
| 17 | O/S Pinion Gear Washer | EX035-01 | 54 | Star Drag Washer | ZW032-01 | |
| 18 | O/S Pinion Gear | DW085-01 | 55 | Star Drag Assembly | YX355-10 | |
| 19 | E-Clip | NX090-01 | 56 | Handle Washer | NX054-01 | |
| 20 | Line Guide Carrier Screw | ZW007-02 | 57 | Handle Assembly | AB318-01 | |
| 21 | Hood Screw | HX107-02 | 58 | Handle Nut | QW003-02 | |
| 22 | Hood | BB027-01 | 59 | Handle Nut Cap | JX034-04 | |
| 23 | Link Washer | EX121-01 | 60 | Handle Nut Cap Screw | QW123-01 | |
| 24 | Release Slider Spring | BB104-01 | | | | |
| 25 | Flipping Lever | BB087-01 | | | | |