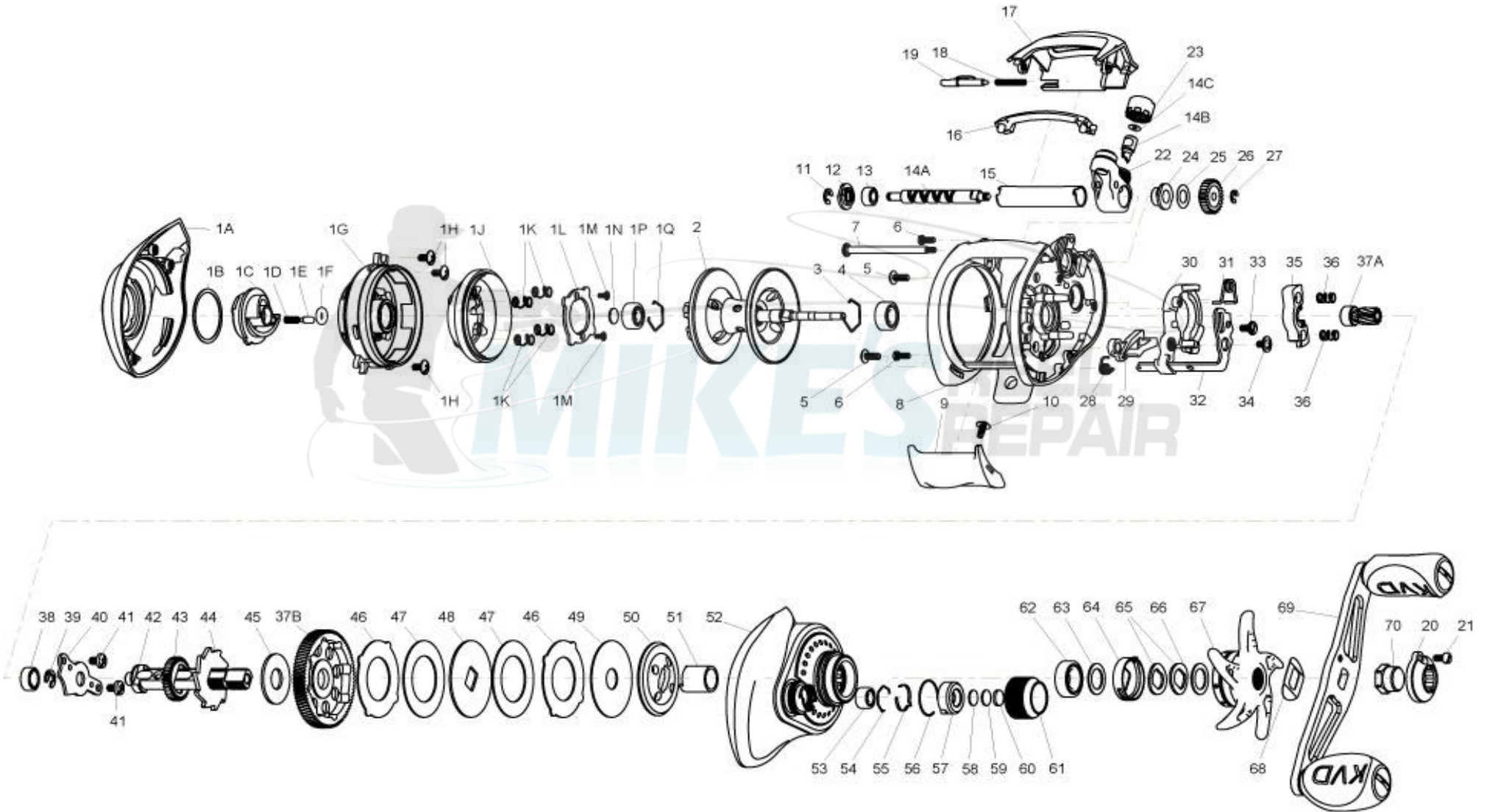


QUANTUM[®]

TKVD150SPTA



QUANTUM

TKVD150SPTA

Quantum TKVD150SPTA Baitcast Reel Part List

Key #	Description	Part No.	Qty.	Key #	Description	Part No.	Qty.
1	Palm Side Cover Kit include	PW4023-11	1	28	Kick Lever Spring	GX097-01	1
	1A - Palm Side Cover Assembly	PW323-11	1	29	Kick Lever	PW077-01	1
	1B - Centrifugal Dial Washer	DW111-01	1	30	Release Slider	PW039-01	1
	1C - Centrifugal Dial Assembly	PW326-04	1	31	Release Slider Spring	YV104-01	1
	1D - Centrifugal Dial Click Spring	YW114-01	1	32	Release Slider Link	PW036-01	1
	1E - Centrifugal Dial Click Pawl	PW098-01	1	33	Release Slider Link Screw	EW125-01	1
	1F - Centrifugal Dial Friction Ring	NX105-01	1	34	Release Slider Screw	CX076-03	1
	1G - Spool Cover	PW051-02	1	35	Pinion Yoke	PW025-01	1
	1H - Spool Cover Screw	EW123-01	3	36	Yoke Spring	GX040-01	2
	1J - Brake Ring Assembly	PW342-01	1	37	Gear Kit Include	YW4011-01	1
	1K - Brake Ring Slider Spring	DW070-01	4		37A - Pinion Gear Assembly	PW311-01	
	1L - Brake Ring Slider Spring Retainer	PW129-01	1		37B - Drive Gear	PW012-01	
	1M - Brake Ring Spring Retainer Screw	DW107-01	2	38	Crank Shaft Ball Bearing - L	SW017-01	1
	1N - Spool Tension Shim	QW032-04	1	39	E-Clip	QW120-01	1
	1P - Spool Shaft Ball Bearing - Palm	QV017-01	1	40	Crank Shaft Retainer	PW002-02	1
	1Q - Clip Ring	HV080-01	1	41	Crank Shaft Retainer Screw	JX107-02	2
2	Spool Assembly	YW321-04	1	42	Crank Shaft	YW008-01	1
3	Clip Ring	EX080-01	1	43	O/S Drive Gear	PW112-01	1
4	Spool Shaft Ball Bearing - Gear	EX017-02	1	44	Trip Ratchet	PW083-01	1
5	Gear Side Cover Screw - B	QW053-07	1	45	Trip Ratchet Washer	YW111-01	1
6	Gear Side Cover Screw - A	LF057-01	1	46	Drag Key Washer	PW048-02	2
7	Stabilizer Bar - A	PW061-01	1	47	Drag Disc - A	PW059-01	2
8	Frame	PW001-17	1	48	Drag "D" Washer	YW045-01	1
9	Thumb Bar	PW009-01	1	49	Drag Disc - B	YW059-01	1
10	Thumb Bar Screw	CW125-01	1	50	Drag Washer	PW045-01	1
11	E-Clip	NX092-01	1	51	One Way Clutch Sleeve	UX052-01	1
12	Bearing Retainer	PW067-01	1	52	Gear Side Cover Assembly	PW324-22	1
13	Worm Shaft Ball Bearing	XX117-01	1	53	Tension Knob Ball Bearing	SW117-01	1
14	Worm Shaft Kit Include	HV4072-02	1	54	Tension Knob Ball Bearing Clip Ring	PW080-01	1
	14A - Worm Shaft	HV072-02	1	55	Tension Knob Click Spring	PW114-01	1
	14B - Line Guide Pawl	CX006-01	1	56	Tension Knob Click Ratchet Retainer	YW080-01	1
	14C - Line Guide Carrier Washer	BV035-01	1	57	Tension Knob Click Ratchet	PW113-01	1
15	Worm Shaft Guide	DW016-01	1	58	Spool Tension Washer	QW032-04	1
16	Top Support	PW094-06	1	59	Spool Tension Support Washer	PW032-01	1
17	Front Support	DW099-05	1	60	Spool Cushion Washer	EX082-02	1
18	Side Cover Locking Lever Spring	ZW096-01	1	61	Spool Tension Knob Kit	PW4033-06	1
19	Side Cover Locking Lever	YX119-02	1	62	Crank Shaft Ball Bearing	TW058-01	1
20	Handle Nut Cap	DW034-02	1	63	Crank Shaft Ball Bearing Washer	TW035-02	1
21	Handle Nut Cap Screw	DW050-02	1	64	Drag Click Spring Assembly	YX4114-01	1
22	Line Guide Carrier Assembly	PW347-02	1	65	Spring "D" Washer	JX046-01	2
23	Line Guide Carrier Screw	ZW007-01	1	66	Star Drag Washer	ZW032-01	1
24	Worm Shaft Bushing - Gear Side	PW068-01	1	67	Star Drag	DW055-09	1
25	O/S Pinion Gear Washer	EX035-01	1	68	Handle Washer	NX054-01	1
26	O/S Pinion Gear	PW085-01	1	69	Handle Assembly	QB318-01	1
27	E-Clip	NX090-01	1	70	Handle Nut	DW003-05	1