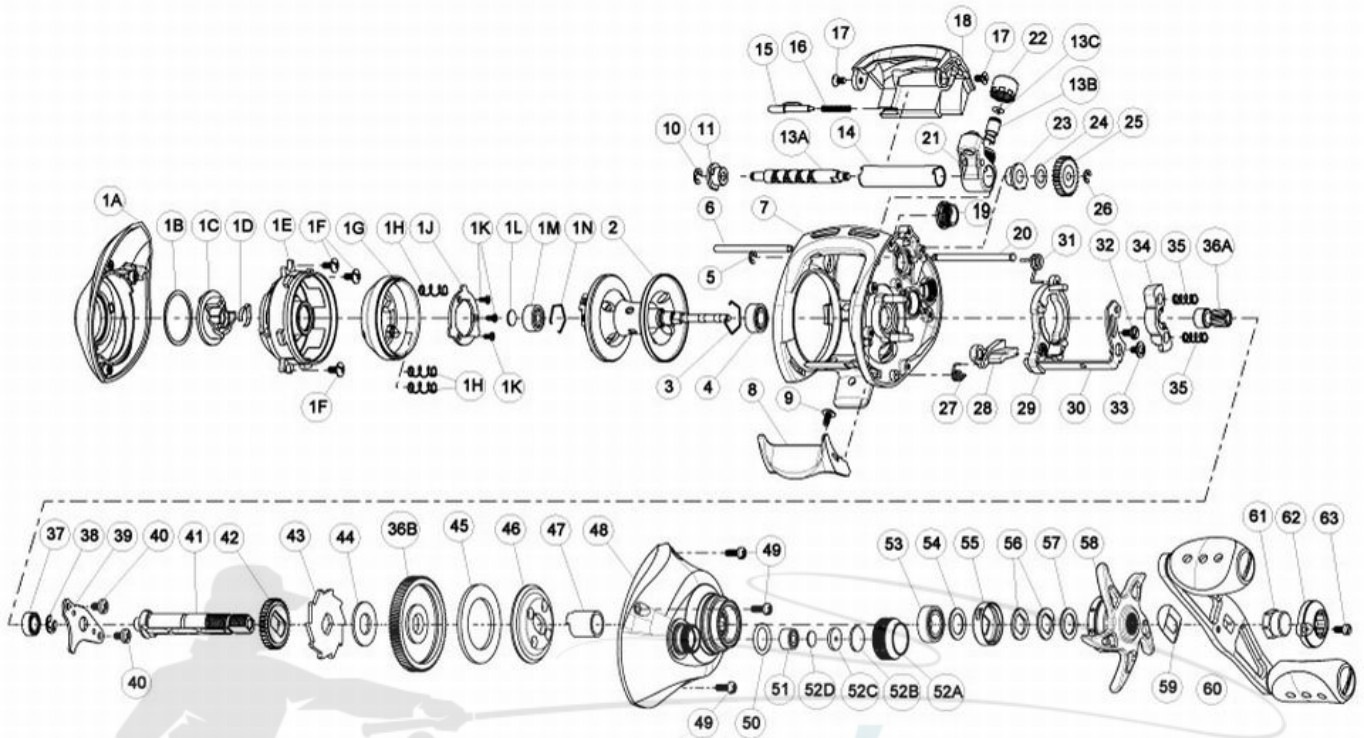


QUANTUM

SL100HPTS



| Quantum SL100HPTS Bait Cast Reel Part List | | | | | | | |
|--|--|------|-----------|-------|---------------------------------|------|-----------|
| Key # | Description | Qty. | Part No. | Key # | Description | Qty. | Part No. |
| 1 | Palm Side Cover Kit includes | 1 | EW4023-05 | 28 | Kick Lever | 1 | DW077-01 |
| | 1A - Palm Side Cover Assembly | 1 | IN KIT | 29 | Release Slider | 1 | DW039-01 |
| | 1B - Centrifugal Dial Washer | 1 | IN KIT | 30 | Release Slider Link | 1 | DW036-01 |
| | 1C - Centrifugal Dial Assembly | 1 | IN KIT | 31 | Release Slider Spring | 1 | DW104-01 |
| | 1D - Centrifugal Dial Spring | 1 | IN KIT | 32 | Release Slider Link Screw | 1 | EW125-02 |
| | 1E - Spool Cover | 1 | IN KIT | 33 | Release Slider Screw | 1 | CX076-03 |
| | 1F - Spool Cover Screw | 1 | IN KIT | 34 | Pinion Yoke | 1 | EW025-01 |
| | 1G - Brake Ring Assembly | 1 | IN KIT | 35 | Yoke Spring | 2 | GX040-01 |
| | 1H - Brake Ring Slider Spring | 3 | IN KIT | 36 | Gear Kit Includes | 1 | DW4011-03 |
| | 1J - Brake Ring Slider Spring Retainer | 1 | IN KIT | | 36A - Pinion Gear Assembly | 1 | IN KIT |
| | 1K - Brake Ring Spring Retainer Screw | 3 | IN KIT | | 36B - Drive Gear | 1 | IN KIT |
| | 1L - Spool Tension Shim | 1 | IN KIT | 37 | Crank Shaft Ball Bearing - L | 1 | SW017-01 |
| | 1M - Spool Shaft Ball Bearing - Palm | 1 | IN KIT | 38 | E-Clip | 1 | QW120-01 |
| | 1N - Clip Ring | 1 | IN KIT | 39 | Crank Shaft Retainer | 1 | DW002-02 |
| 2 | Spool Assembly | 1 | FW321-13 | 40 | Crank Shaft Retainer Screw | 2 | JX107-02 |
| 3 | Clip Ring | 1 | EX080-01 | 41 | Crank Shaft | 1 | EW008-01 |
| 4 | Spool Shaft Ball Bearing - Gear | 1 | EX017-02 | 42 | O/S Drive Gear | 1 | DW112-01 |
| 5 | E-Clip | 1 | NX090-01 | 43 | Trip Ratchet | 1 | DW083-01 |
| 6 | Stabilizer Bar - A | 1 | DW061-01 | 44 | Trip Ratchet Washer | 1 | QW111-01 |
| 7 | Frame | 1 | DW001-20 | 45 | Drag Disc | 1 | UX059-01 |
| 8 | Thumb Bar | 1 | DW009-02 | 46 | Drag Washer | 1 | EW045-01 |
| 9 | Thumb Bar Screw | 1 | CW125-01 | 47 | One Way Clutch Sleeve | 1 | UX052-01 |
| 10 | E-Clip | 1 | NX092-01 | 48 | Gear Side Cover Assembly | 1 | DW324-23 |
| 11 | Wrom Shaft Bushing - Palm | 1 | AB067-01 | 49 | Gear Side Cover Screw | 3 | BV123-05 |
| 13 | Worm Shaft Kit Includes | 1 | HV4072-02 | 50 | Tension Knob O-Ring | 1 | QW101-01 |
| | 13A - Worm Shaft | 1 | IN KIT | 51 | Tension Knob Ball Bearing | 1 | SW117-01 |
| | 13B - Line Guide Pawl | 1 | IN KIT | 52 | Spool Tension Knob Kit includes | 1 | DW4033-09 |
| | 13C - Line Guide Carrier Washer | 1 | IN KIT | | 52A - Spool Tension Knob | 1 | IN KIT |
| 14 | Worm Shaft Guide | 1 | DW016-01 | | 52B - Spool Cushion Washer | 1 | IN KIT |
| 15 | Side Cover Locking Lever | 1 | YX119-02 | | 52C - Spool Tension Collar | 1 | IN KIT |
| 16 | Side Cover Locking Lever Spring | 1 | ZW096-01 | | 52D - Spool Tension Washer | 1 | IN KIT |
| 17 | Hood Screw | 2 | HX107-02 | 53 | Crank Shaft Ball Bearing | 1 | TW058-01 |
| 18 | Hood | 1 | DW027-06 | 54 | Crank Shaft Ball Bearing Washer | 1 | TW035-02 |
| 19 | Oil Cap Screw | 1 | DW150-07 | 55 | Drag Click Spring Assembly | 1 | YX4114-02 |
| 20 | Stabilizer Bar - B | 1 | WP061-01 | 56 | Drag "D" Washer | 2 | JX046-01 |
| 21 | Line Guide Carrier | 1 | DW047-04 | 57 | Star Drag Washer | 1 | ZW032-01 |
| 22 | Line Guide Carrier Screw | 1 | ZW007-01 | 58 | Star Drag | 1 | DW055-07 |
| 23 | Worm Shaft Bushing - Gear Side | 1 | DW068-01 | 59 | Handle Washer | 1 | NX054-01 |
| 24 | O/S Pinion Gear Washer | 1 | EX035-01 | 60 | Handle Assembly | 1 | HX318-03 |
| 25 | O/S Pinion Gear | 1 | DW085-01 | 61 | Handle Nut | 1 | DW003-05 |
| 26 | E-Clip | 1 | NX090-01 | 62 | Handle Nut Cap | 1 | DW034-02 |
| 27 | Kick Lever Spring | 1 | GX097-01 | 63 | Handle Nut Cap Screw | 1 | DW050-02 |