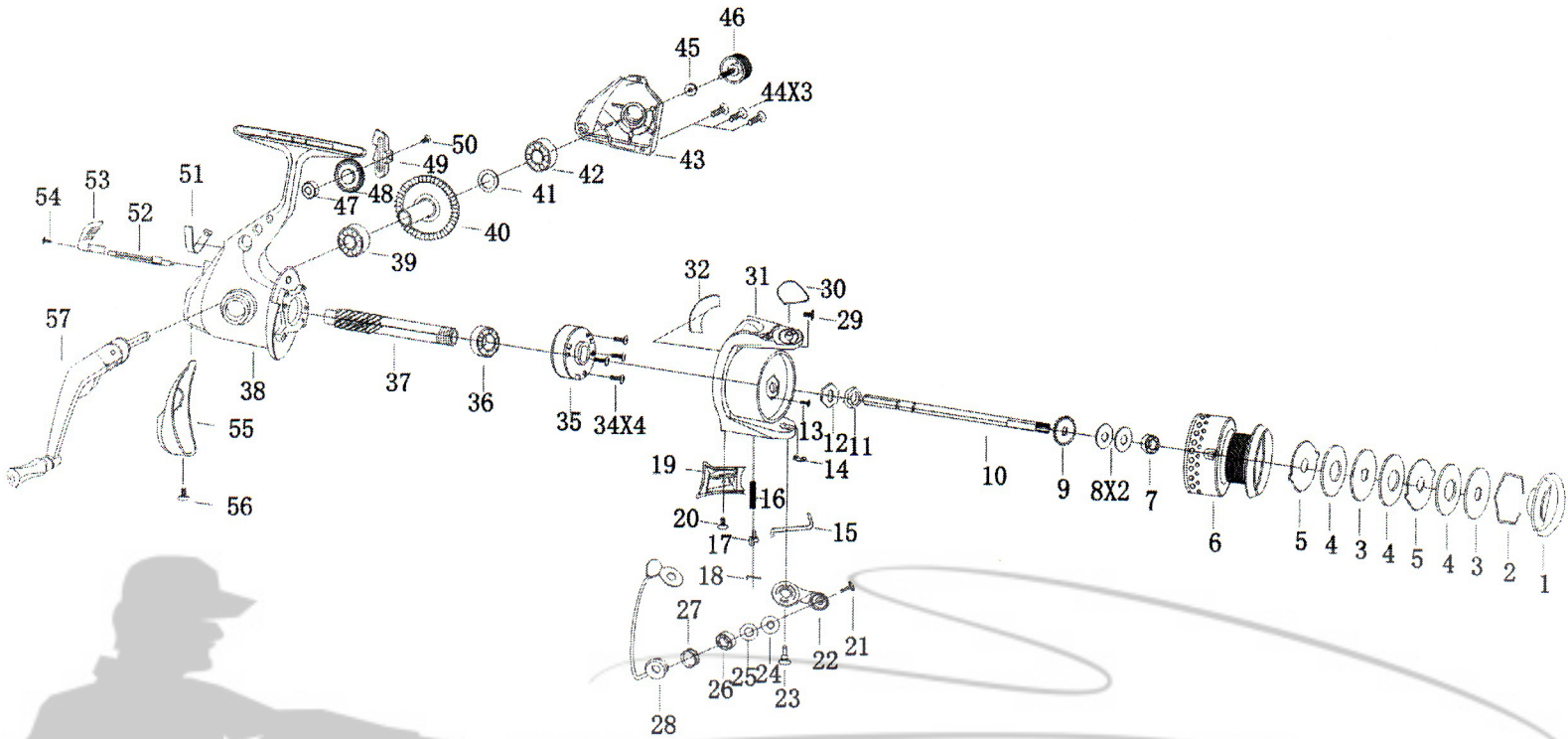


Quantum Plazma PLM10



KEY # DESCRIPTION

- 1 DRAG KNOB
- 2 HEXAGON CLIP
- 3 KEY WASHER
- 4 DRAG WASHER
- 5 EAR WASHER
- 6 SPOOL

- 7 BALL BEARING
- 8 CLICK GEAR WASHER
- 9 CLICK GEAR
- 10 MAIN SHAFT
- 11 ROTOR NUT
- 12 PINION GEAR SPACER
- 13 SCREW
- 14 E-CLIP
- 15 FLIP WIRE
- 16 SPRING
- 17 FLIP LEVER
- 18 FLIP WIRE
- 19 ARM LEVER COVER
- 20 SCREW
- 21 SCREW
- 22 BAIL ARM
- 23 SCREW
- 24 LINE ROLLER BUSHING
- 25 WASHER
- 26 BALL BEARING
- 27 LINE ROLLER
- 28 BAIL ASSY.

KEY # DESCRIPTION

- 29 SCREW
- 30 BAIL ARM COVER
- 31 ROTOR
- 32 BALANCE WEIGHT
- 34 SCREW
- 35 ONE-WAY CLUTCH ASSY.
- 36 BALL BEARING
- 37 PINION GEAR
- 38 MAIN BODY
- 39 BALL BEARING
- 40 DRIVE GEAR
- 41 DRIVE GEAR WASHER
- 42 BALL BEARING
- 43 SIDE PLATE
- 44 SIDE PLATE SCREW
- 45 HANDLE SCREW CAP'S WASHER
- 46 HANDLE SCREW
- 47 OSCILLATION BUSHING
- 48 OSCILLATION GEAR
- 49 OSCILLATION SLIDER
- 50 SLIDER SCREW
- 51 SPRING
- 52 FLIP LEVER
- 53 ANTI-REVERSE LEVER
- 54 SCREW
- 55 BODY BUTT CAP
- 56 SCREW
- 57 HANDLE ASSY. (INCLUDED TWO BALL BEARINGS)

MILK'S REEL REPAIR