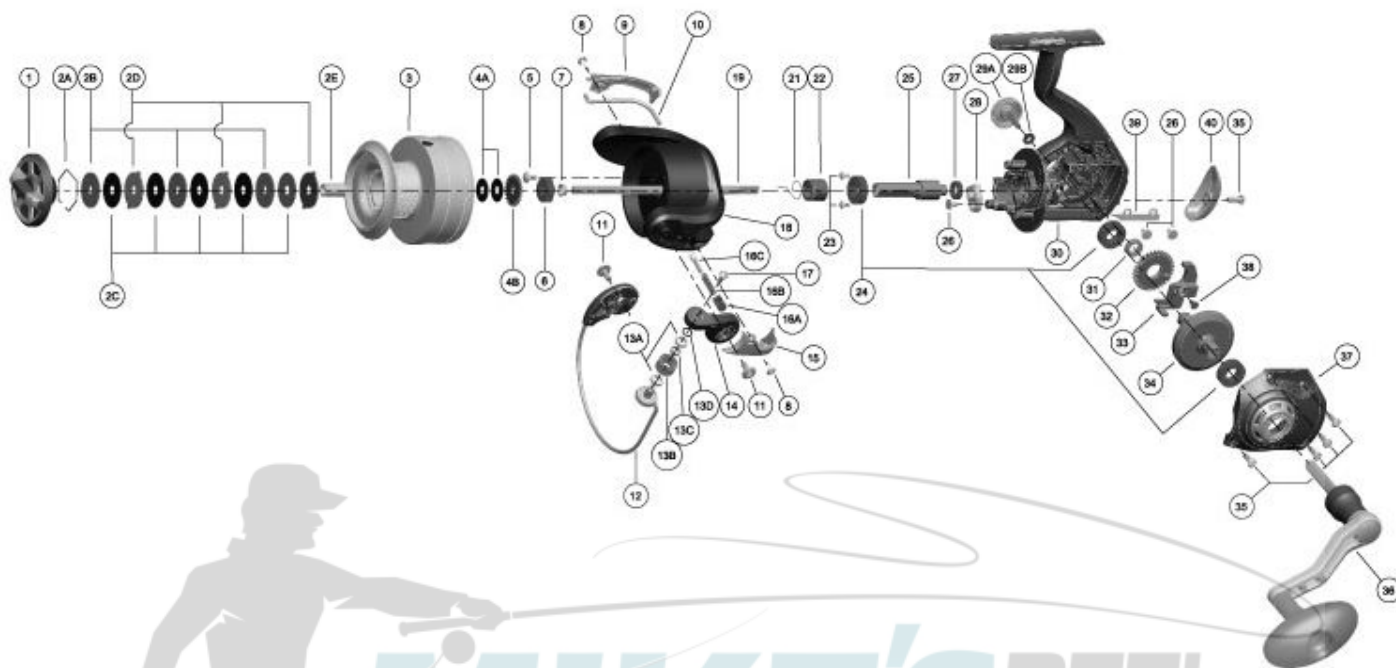


QUANTUM[®]

Olympus OL80F



Quantum Olympus OL80F Spinning Reel Part List

Key #	Description	Part No.	Key #	Description	Part No.
1	Drag Knob Assembly	TP332-04	17	Line Roller Screw	TP108-01
2	Drag Washer Kit includes:	TP4080-01	18	Rotor Assembly	N/A
	2A - Drag Washer Retainer	N/A	19	Main Shaft	TP015-02
	2B - Drag Washer 'D'	N/A	20		N/A
	2C - Drag Friction Washer	N/A	21	A.R. Actuator Spring	TP086-02
	2D - Keyed Drag Washer	N/A	22	A.R. Sleeve	TP139-01
	2E - Spool Bushing	N/A	23	Pinion Bearing Screw	TP079-01
3	Spool Assembly	UP321-52	24	Ball Bearing, 9 ID x 17 OD x 5 W	TP157-02
4	Click Gear Kit	TP4037-01	25	Pinion	TP011-01
	4A - Center Shaft Washer	N/A	26	A.R. Stopper Screw	TP078-01
	4B - Click Gear	N/A	27	Ball Bearing, 7 ID x 11 OD x 3 W	TP027-02
5	Rotor Nut Lock Screw	TP094-01	28	A.R. Stopper	TP060-01
6	Rotor Nut	TP006-01	29	Handle Cap Screw Assembly	TP4073-04
7	Main Shaft Bushing	TP214-01		29A - Handle Cap Screw	N/A
8	Rotor Cover Screw	TP077-02		29B - Handle Cap Screw Washer	N/A
9	Bail Holder Cover	N/A	30	Body Assembly	N/A
10	Kick Lever	TP019-02	31	Bushing, 7 ID x 11 OD x 3 W	TP141-01
11	Pivot Screw	TP044-01	32	O/S Gear	TP053-01
12	Bail Assembly	UP347-04	33	O/S Slider	TP025-01
13	Line Roller Kit includes:	TP4202-01	34	Drive Gear	TP012-01
	13A - Line Roller Bushing	N/A	35	Side Cover Screw	TP057-01
	13B - Line Roller	N/A	36	Handle Assembly	TP318-02
	13C - Line Roller Washer	N/A	37	Side Cover Assembly	N/A
	13D - Line Roller Shoulder Washer	N/A	38	Main Shaft Screw	TP100-01
14	Arm Lever	TP007-04	39	O/S Slider Plate	TP026-01
15	Arm Lever Cover	N/A	40	Body Rear Cover	N/A
16	Bail Spring Kit	TP4022-02		MODEL INTRODUCED :	2007
	16A - Bail Spring Holder	N/A		BASIC COLORS : SILVER / CHAMPAGNE	
	16B - Bail Spring	N/A		EFFECTIVE DATE OF PARTS LIST / DIAGRA	MAR 2008
	16C - Bail Spring Pin	N/A		DISCONTINUED :	N / A